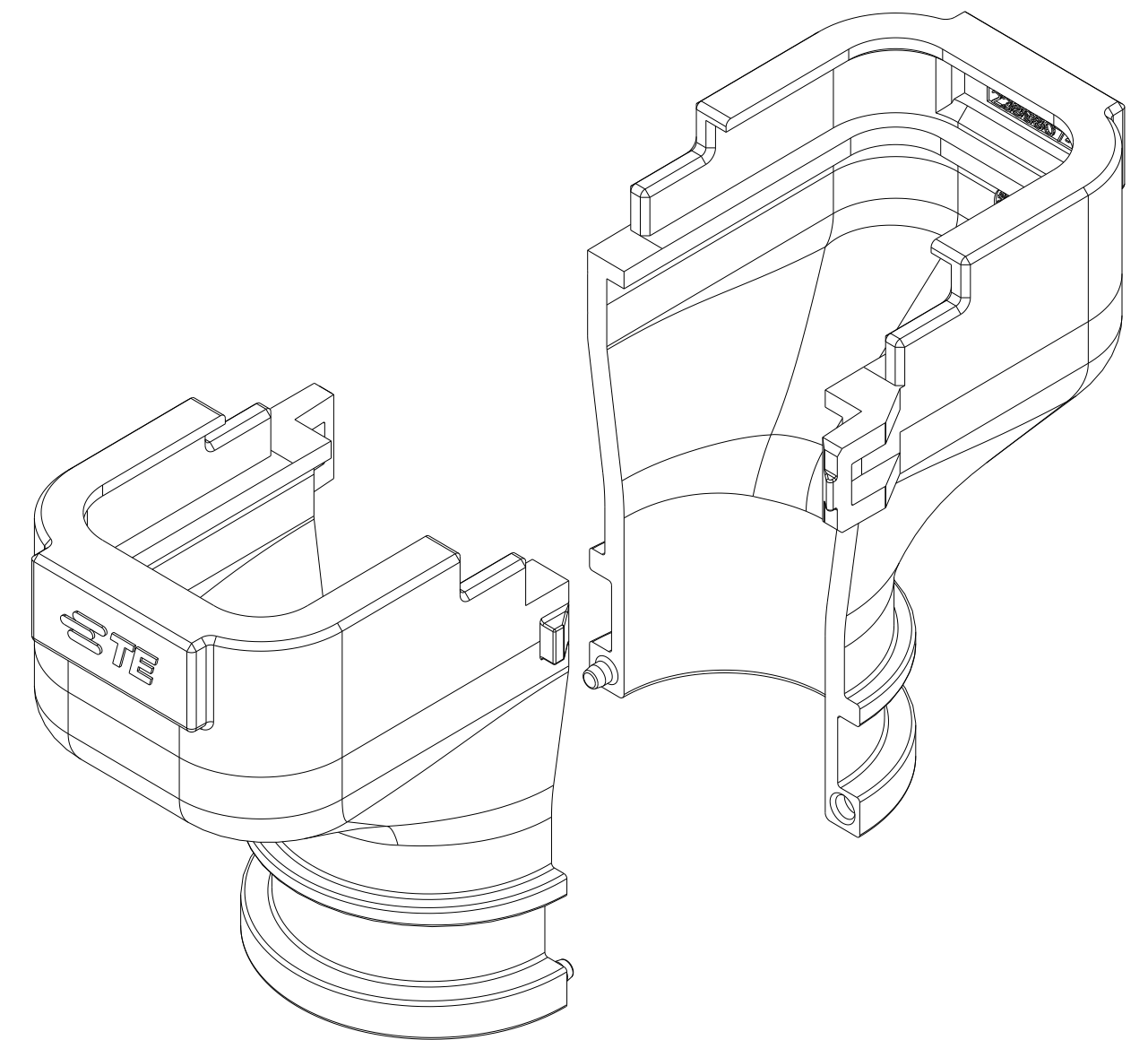
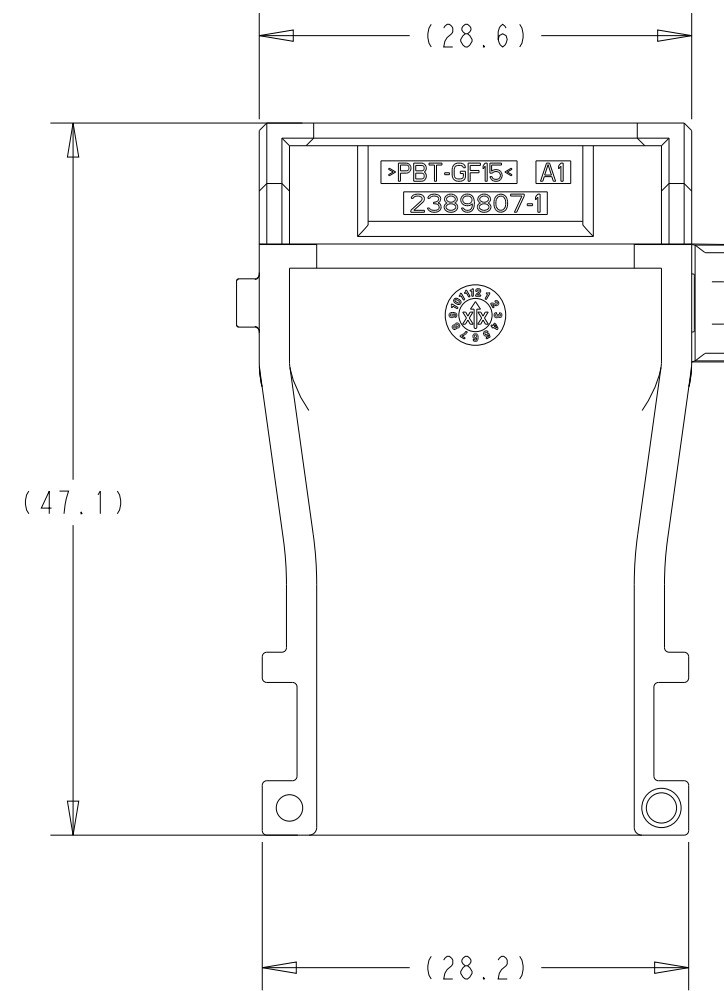
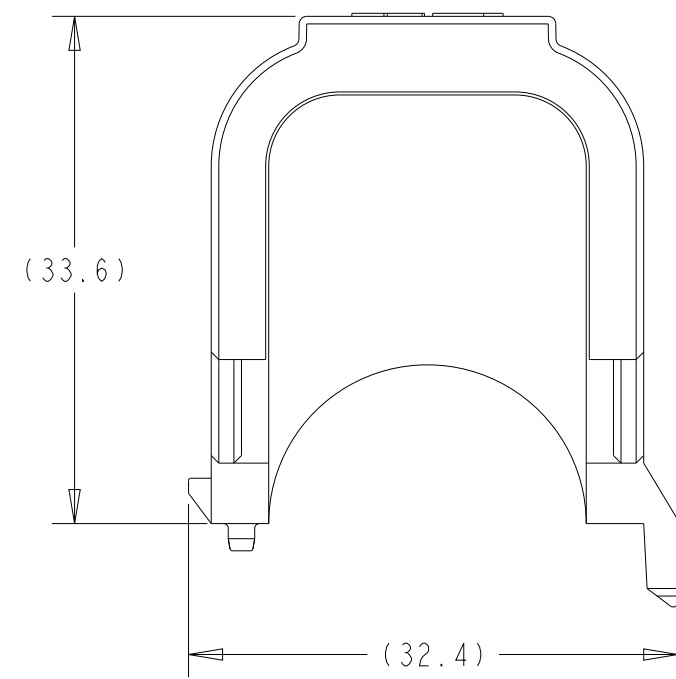



REVISIONS					
P	LTR	DESCRIPTION	DATE	DWN	APVD
A		INITIAL RELEASE PER ECN-22-151822	02MAY2022	FC	DK



- 1. MATERIAL: PBT, 15% GLASS FILLED, COLOR: BLACK
- 2. USED WITH 35 POSITION AMPSEAL PLUG ASSEMBLY 776164
- 3. TWO PIECES REQUIRED PER ASSEMBLY
- 4. A WIRE TIE IS RECOMMENDED AROUND THE WIRE EXIT END OF THE BACKSHELL TO AID IN SECURING THE TWO HALVES TOGETHER

2389807-1  
PART NO

THIS DRAWING IS A CONTROLLED DOCUMENT.		DWN F COLTA 02MAY2022	 TE Connectivity		
DIMENSIONS:		CHK D KELLER 02MAY2022			
mm	TOLERANCES UNLESS OTHERWISE SPECIFIED:	APVD C BHATT 02MAY2022	NAME WIRE RELIEF 35 POSITION, AMPSEAL		
0 PLC	±	PRODUCT SPEC	108-160593		
1 PLC	±	APPLICATION SPEC	114-16016		
2 PLC	±	WEIGHT	8.9g		
3 PLC	±	SIZE	A2		
4 PLC	±	CAGE CODE	-		
ANGLES	±	DRAWING NO	G-2389807		
FINISH	-	RESTRICTED TO	-		
	-	CUSTOMER DRAWING	SCALE	SHEET	REV
			2:1	1 OF 1	A