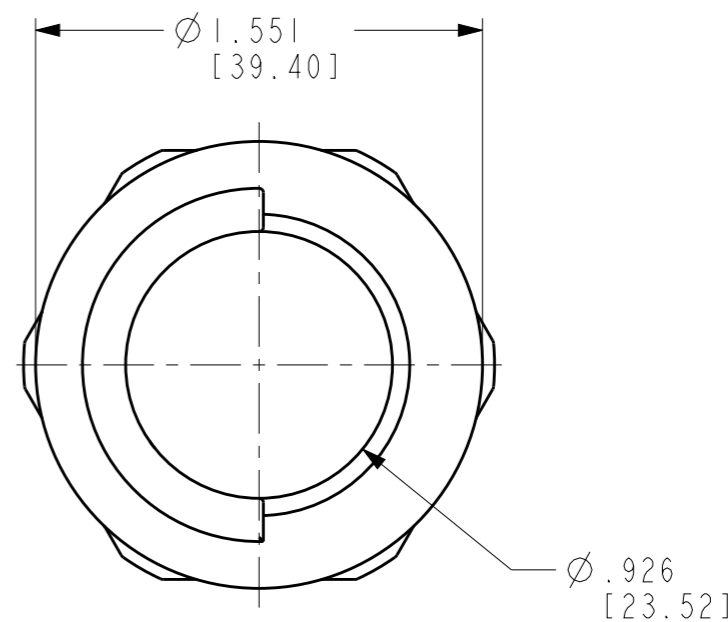
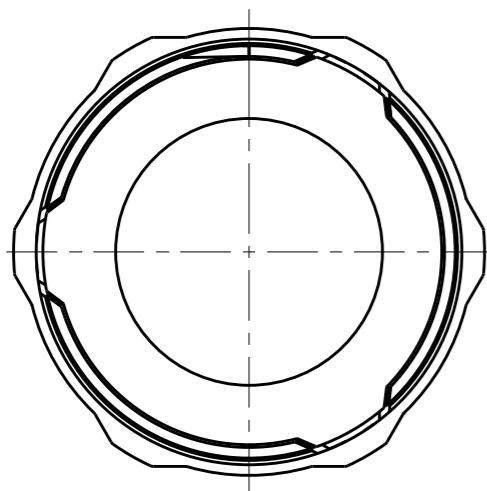
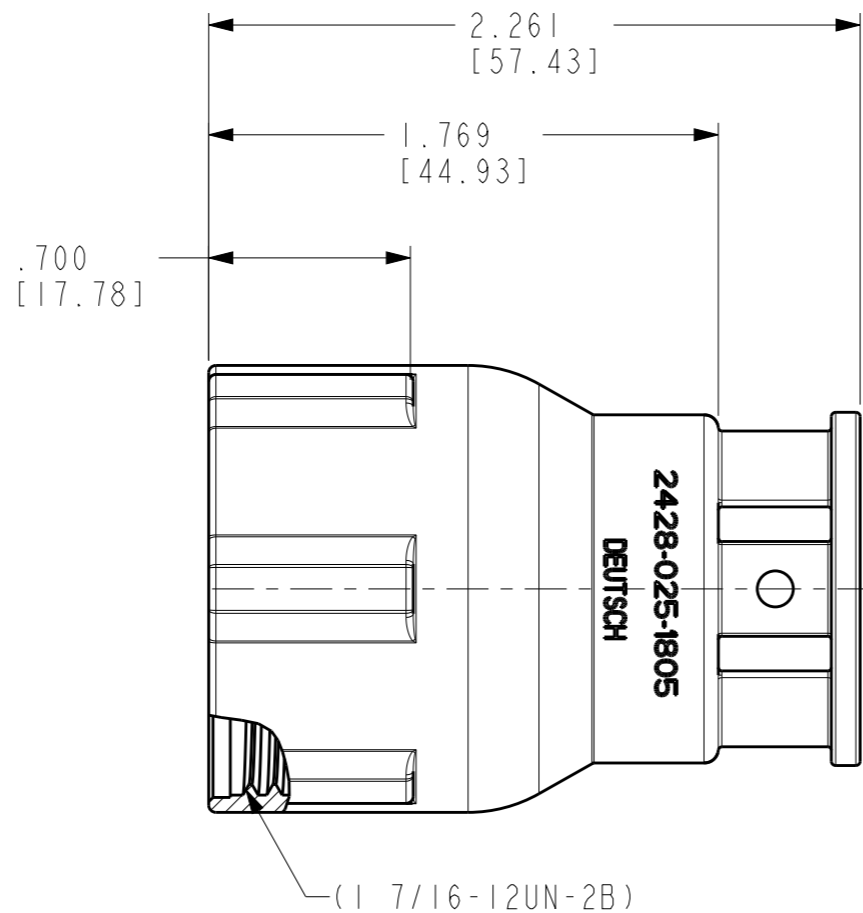
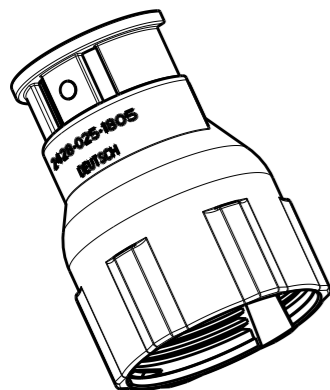


THIS DRAWING IS UNPUBLISHED
 RELEASED FOR PUBLICATION 2014
 © COPYRIGHT 2013 BY TE CONNECTIVITY ALL RIGHTS RESERVED.

LOC		DIST		REVISIONS			
P	LTR	DESCRIPTION	DATE	DWN	APVD		
	NC	NEW RELEASE PER E.O. P21416	8-24-12	IG	DM		
	A	REVISED PER ECO-14-009390	6-20-14	JA	DM		



2. THIS BACKSHELL MATES WITH HDP24-18-XXP/SX-L024 AND HDP26-18-XXP/SX-L024 MAX MANUAL TORQUE 40 IN.LB.

MATERIAL: PA 15% GF (BLACK).

NOTES: UNLESS OTHERWISE SPECIFIED

THIS DRAWING IS A CONTROLLED DOCUMENT.		DWN 03MAR2014 JAIME C. APOSTOL		TE Connectivity BACKSHELL SIZE 18 -L024 MOD HDP SERIES	
DIMENSIONS: INCHES [mm]		TOLERANCES UNLESS OTHERWISE SPECIFIED:			
		0 PLC ±		NAME	
		1 PLC ±		ILINA GRANTCHAROVA	
		2 PLC ±		APVD 20JUN2014	
		3 PLC ±.025 [.64]		DAVID MEYER	
		4 PLC ±		PRODUCT SPEC	
		ANGLES ± ±0°30'0"		APPLICATION SPEC	
MATERIAL		FINISH MATTE		SIZE	
		WEIGHT 14.37g		CAGE CODE	
		Customer Drawing		DRAWING NO	
		SCALE NONE		RESTRICTED TO	
		SHEET 1 OF 1		REV A	