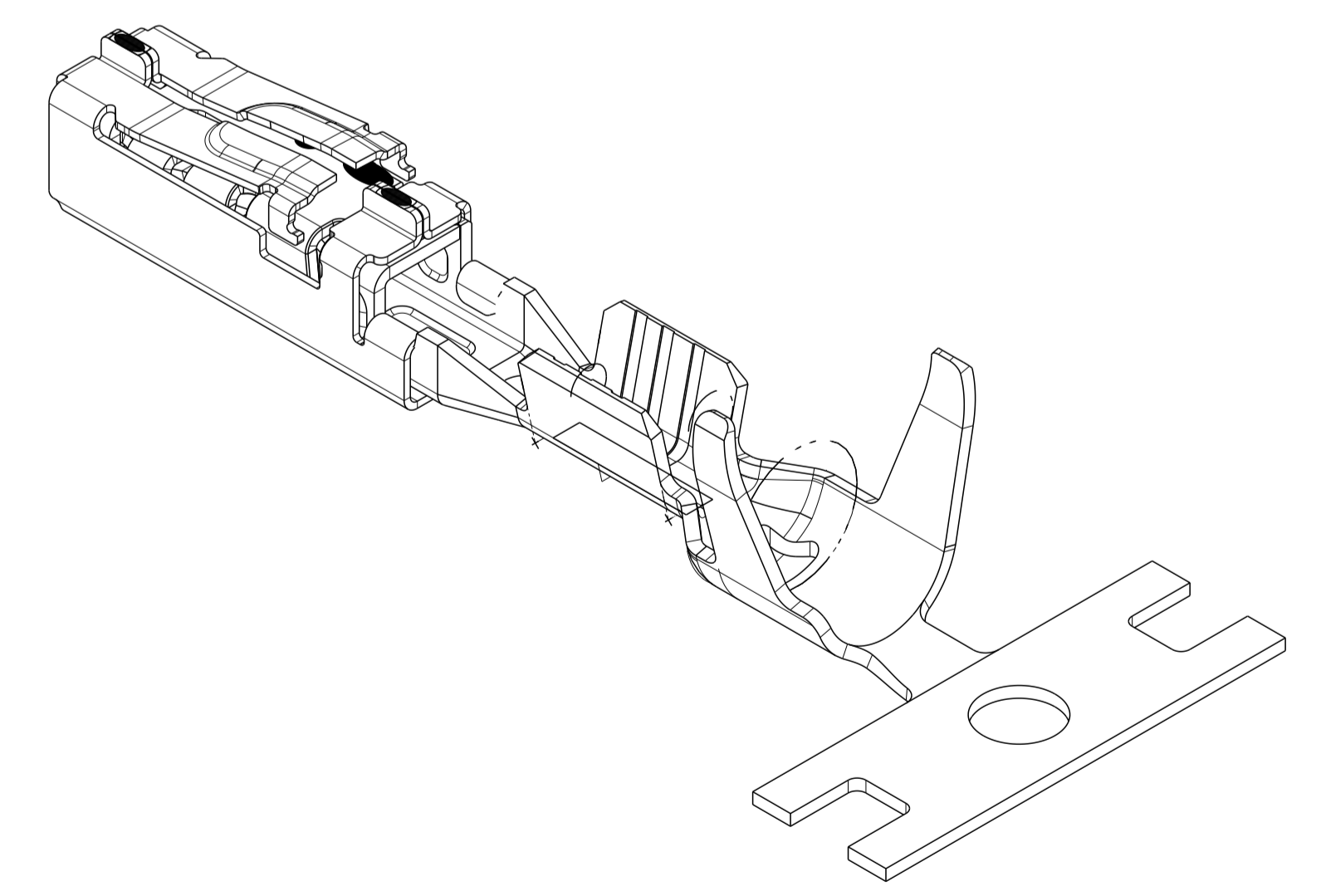
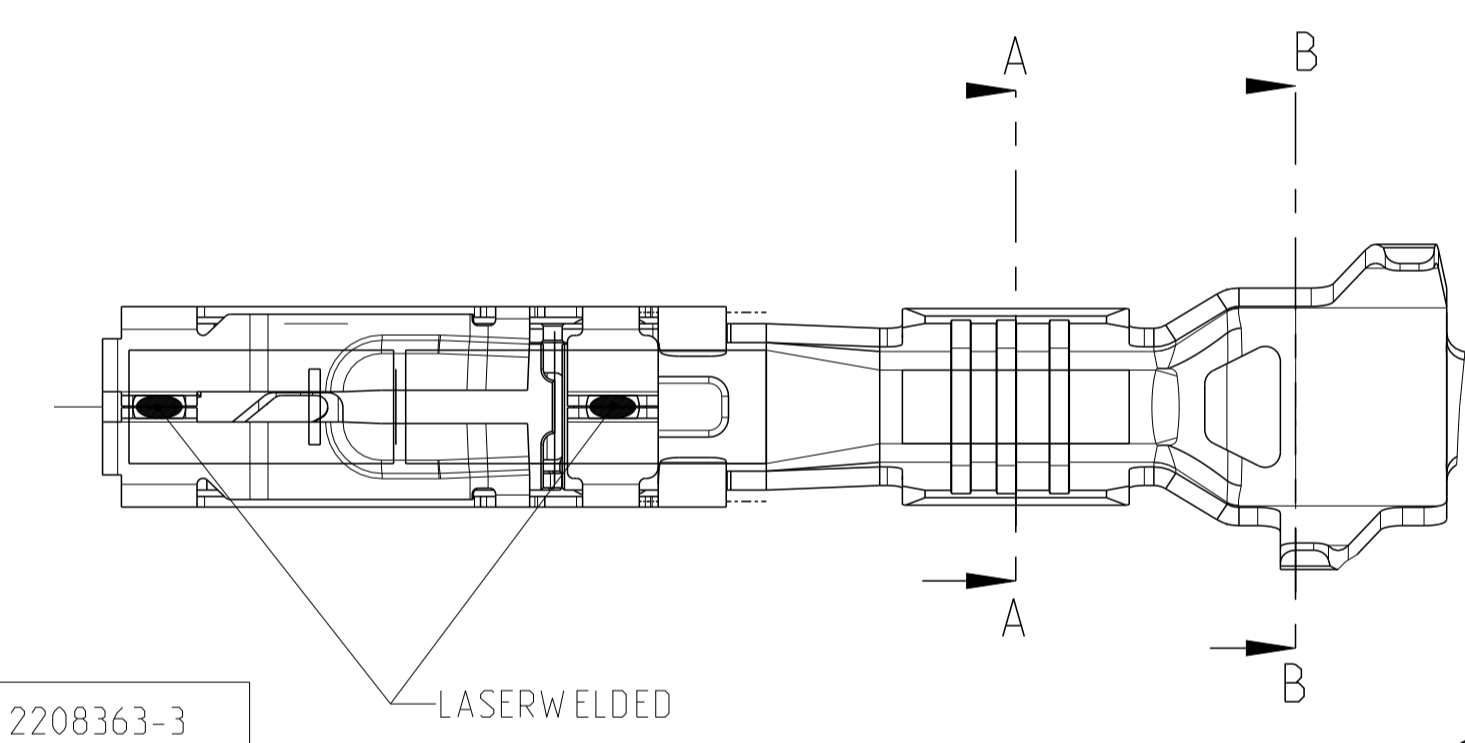
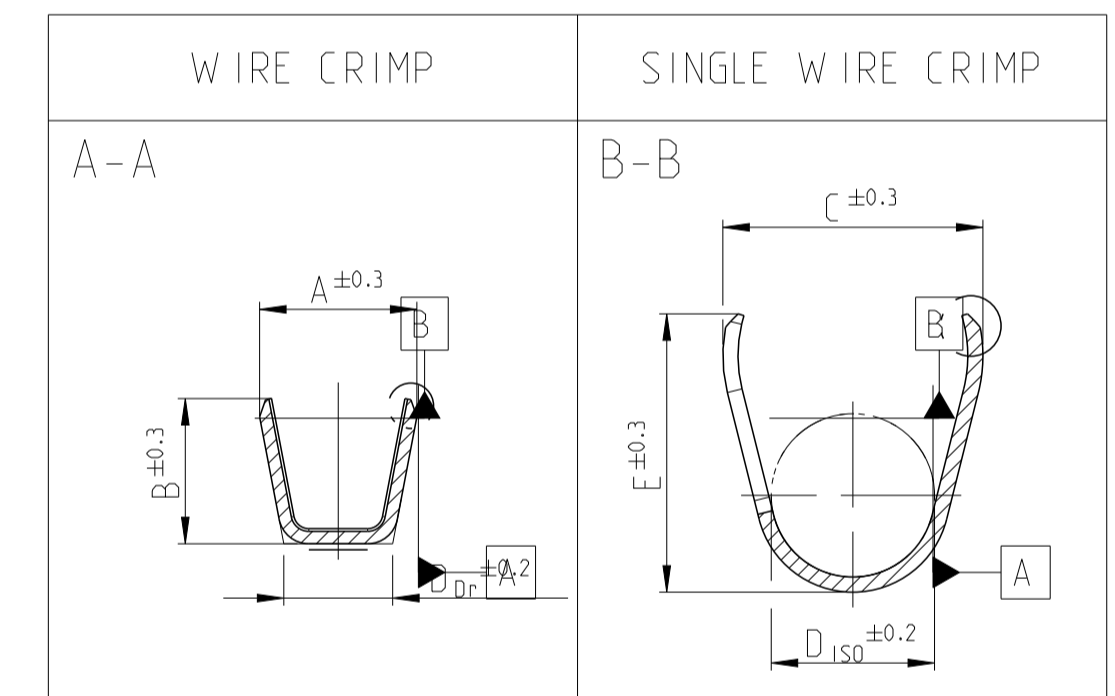
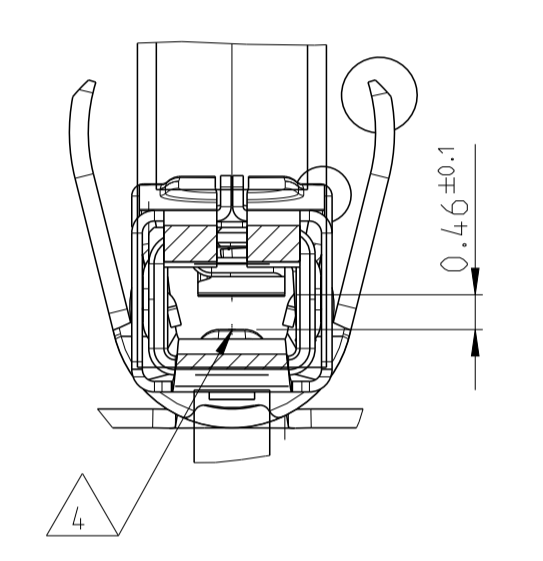
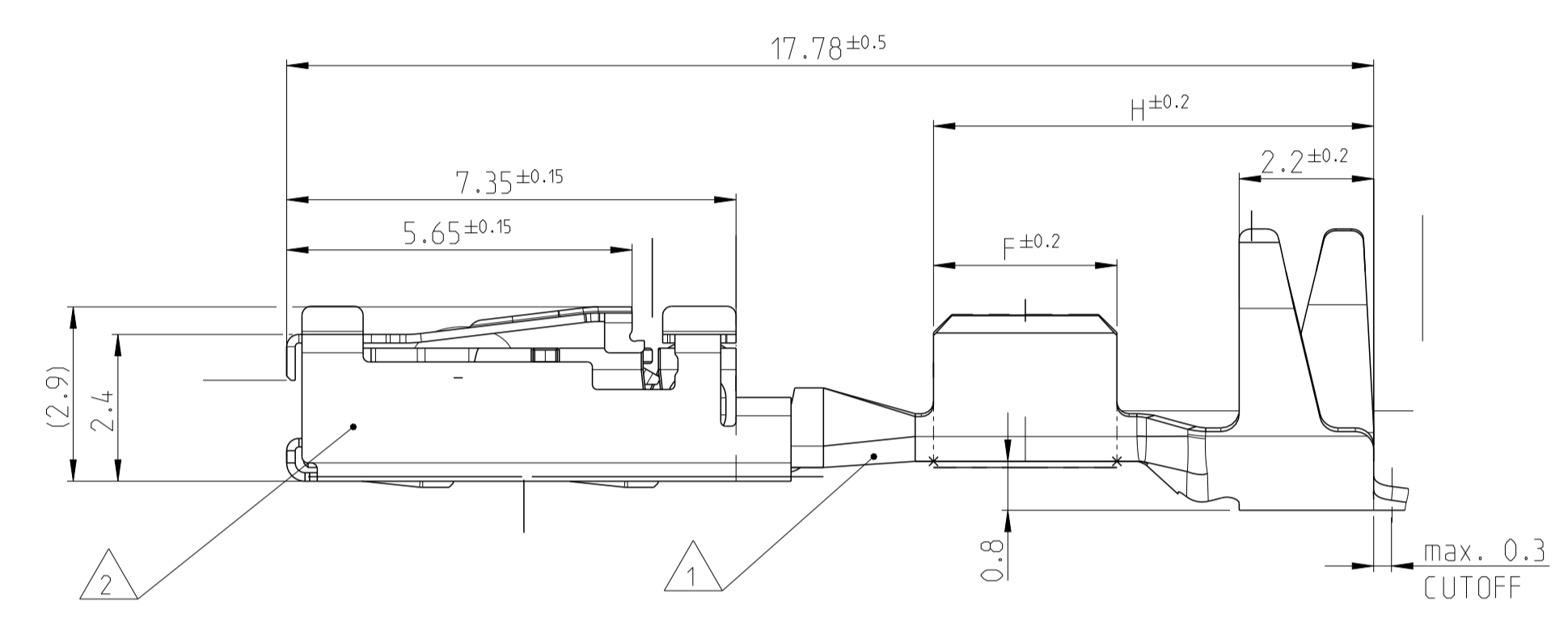
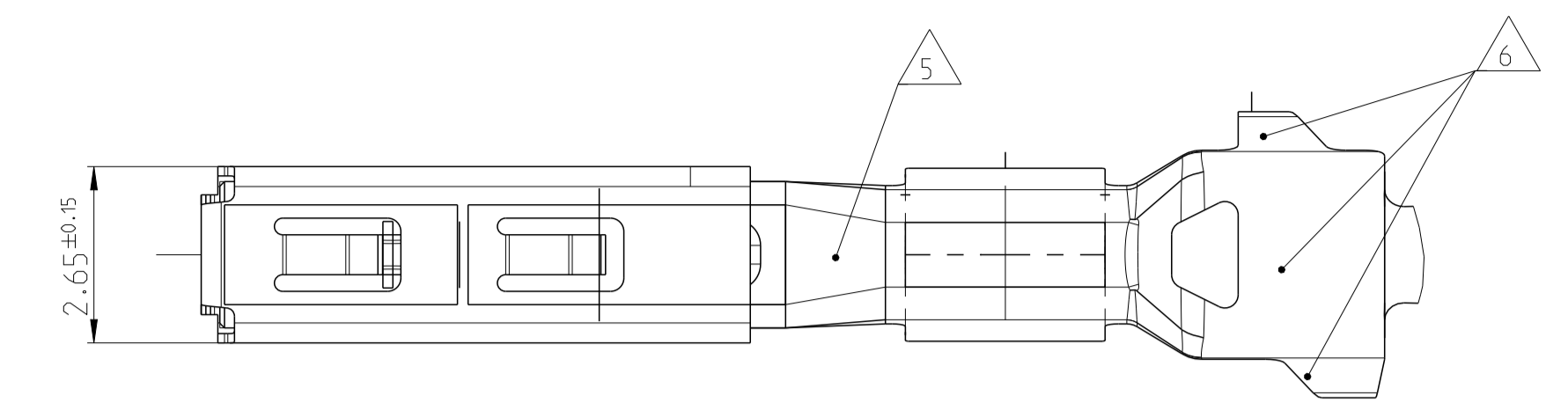


REVISIONS				
NO.	DATE	DESCRIPTION	BY	CHK
A	24NOV2022	INITIAL RELEASE	S.D	W.Z
A1	12JAN2023	RIVISE	S.D	W.Z

- NOTES
- ① CONTACT BODY
 - ② SPRING
 - ③ FOR WIRE SEE SPEC. 114-18912
 - ④ Ag- SILVER PLATED MIN. 2um OVER Ni (ONLY CONTACT AREA TAB)
Au- GOLD PALTED MIN. 2um OVER Ni (ONLY CONTACT AREA TAB)
Ag+ -SILVER PLATED 2 TO 5 um OVER Sn (ONLY CONTACT AREA TAB)
 - ⑤ STAMPED INDICATOR FOR PLATING
-Ag SILVER PLATING
-Au GOLD PLATING
-Ag+ SILVER PLATING
 - ⑥ TE LOGO, REVISION STATUS,DATE CIDE
 - ⑦ PN⑧ is Suzhou Version PN, similar with Global PN⑨



VERSION	TE ORDER NO. REELED FORM	BODY	SPRING	SPRING	CONTACT AREA TAB	WIRE RANGE (mm²)	WIRE CRIMP						ISOLATION CRIMP			F	H	-	-	-	-	Ø xxx (mm)	SINGLE WIRE SEAL FOR CAVITY DIAMETER TE NO.	BLINDPLUG ORDER NO.	PRODUCT SPECIFICATION	SIMILAR WITH GLOBAL PN
							A	B	D _{Dr}	C	E	D _{ISO}	WIRE CRIMP													
SINGLE WIRE SEALING SYSTEM	2438924-3 TBD-2 TBD-3	CuNiSi	X10CrNi18-8	-	-	Ag	2.0	1.8	1.2	4.3	4.6	2.7	2.5	-	6.7	-	-	-	-	-	-	2297816-1 (Ø3.9) 967067-2 (Ø4.1)	108-94432	2208363-3		
						Au																			0.35	2297816-2 (Ø3.9) 2300384-1 (Ø4.1)
						Ag+																				
	2437422-3 TBD-3	CuNiSi	X10CrNi18-8	-	-	Ag	2.2	2.1	1.4	4.3	4.6	2.7	3.0	-	7.2	-	-	-	-	-	-	2297817-1 (Ø3.9) 967067-1 (Ø4.1)	108-94432	2208362-3		
						Ag+																			0.5	2297817-2 (Ø3.9)
						-																				
	2437420-3 TBD-3	CuNiSi	X10CrNi18-8	-	-	Ag	2.6	2.4	1.8	4.3	4.6	2.7	3.0	-	7.2	-	-	-	-	-	-	2297818-1 (Ø3.9) 967067-1 (Ø4.1)	108-94432	2208360-3		
						Ag+																			0.75	2297818-2 (Ø3.9)
						-																				
	2437420-3 TBD-3	CuNiSi	X10CrNi18-8	-	-	Ag	2.6	2.4	1.8	4.3	4.6	2.7	3.0	-	7.2	-	-	-	-	-	-	2297819-1 (Ø3.9) 967067-1 (Ø4.1)	108-94432	2208360-3		
						Ag+																			1.0	2297819-2 (Ø3.9)
						-																				

THIS DRAWING IS A CONTROLLED DOCUMENT.

DATE: 24NOV2022
DRAWN: S.DU
CHK: J.GU
APVD: W.ZHANG

TOLERANCES UNLESS OTHERWISE SPECIFIED:
ALL DIMENSIONS IN mm

0 PLC	±0.3
1 PLC	±0.2
2 PLC	±0.2
3 PLC	±0.2
4 PLC	±0.2
ANGLES/WIRE	±2°

FINISH/OBERFLÄCHE/FINISH: SEE TABLE

WEIGHT/GEWICHT: SEE TABLE

SCALE/MASSTAB: 10:1

RESTRICTED TO NUR FÜR: -

CUSTOMER DRAWING /KUNDENZICHNUNG

SIZE: A1
CAGE CODE: 00779
DRAWING NO.: 2437420
SHEET: 1 OF 1

REV: A1