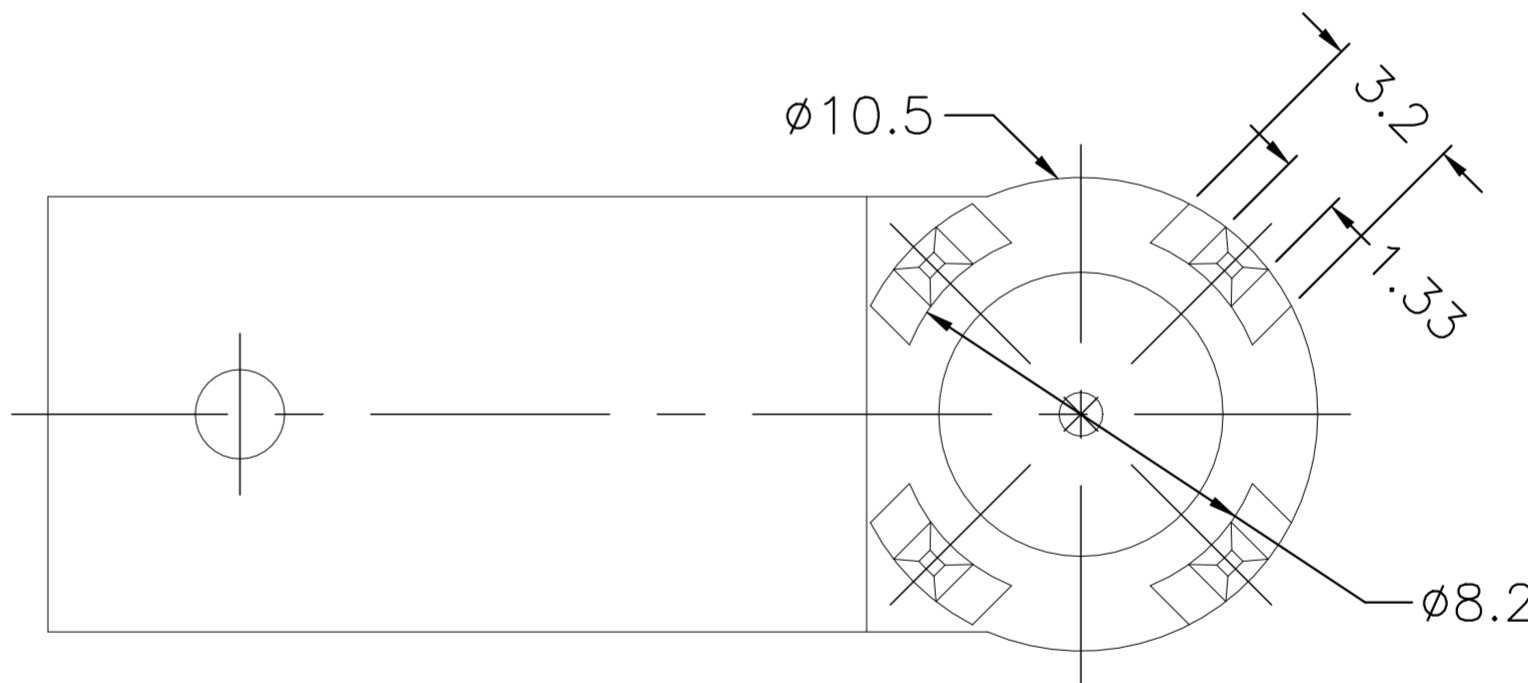
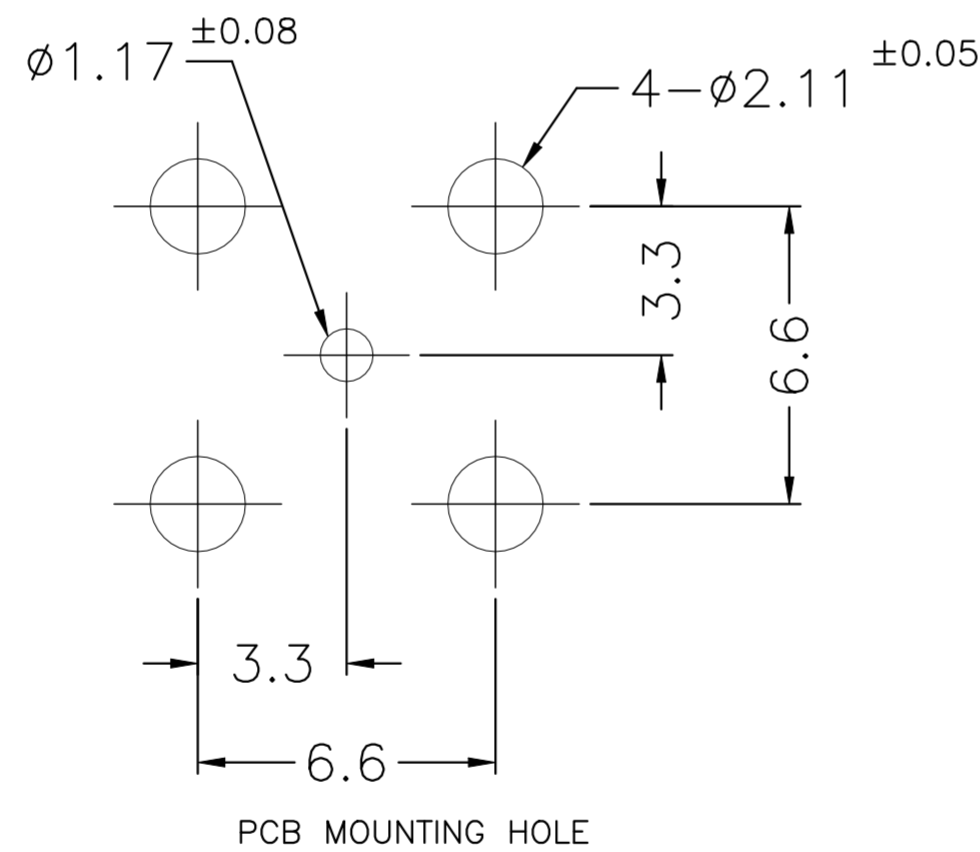
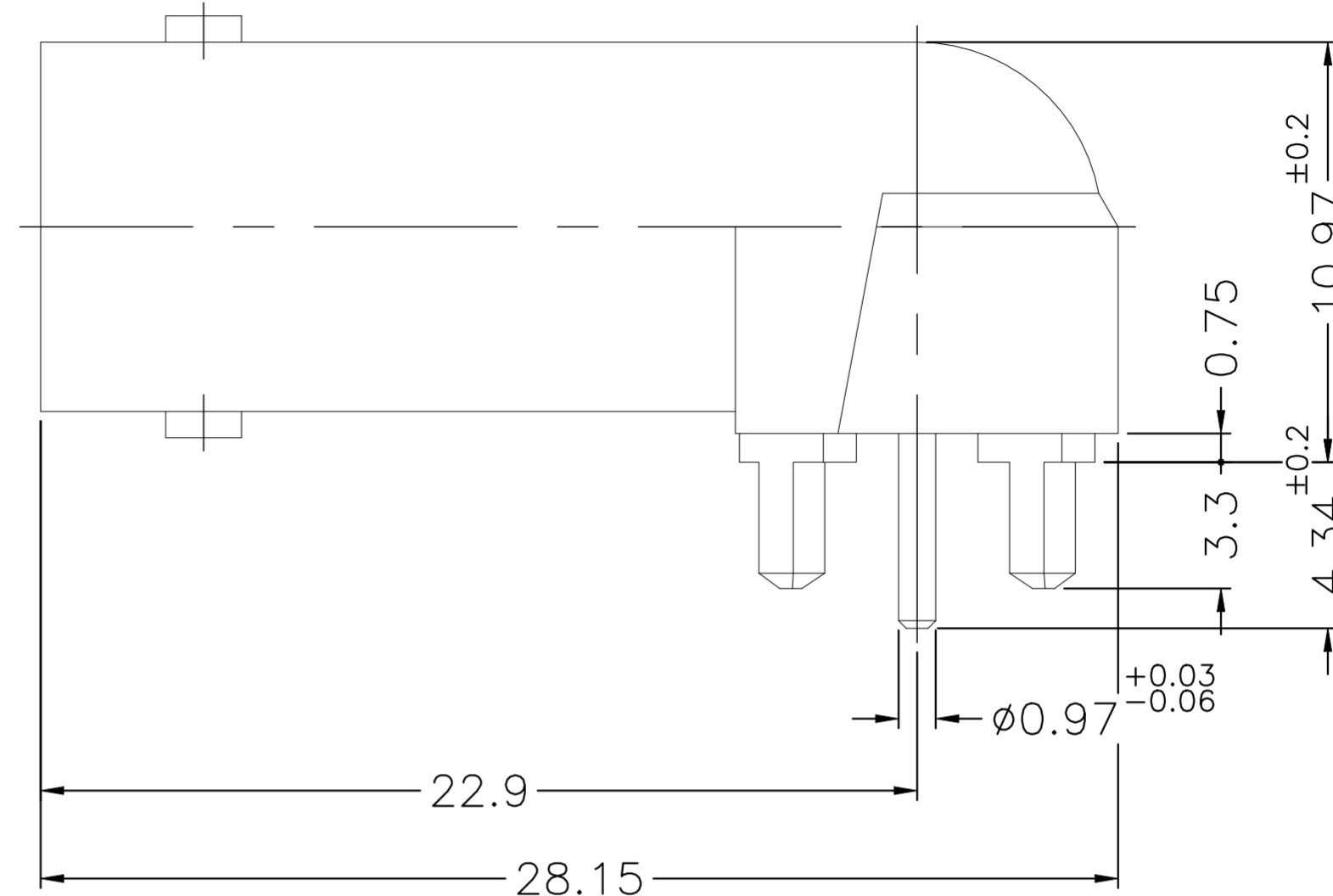
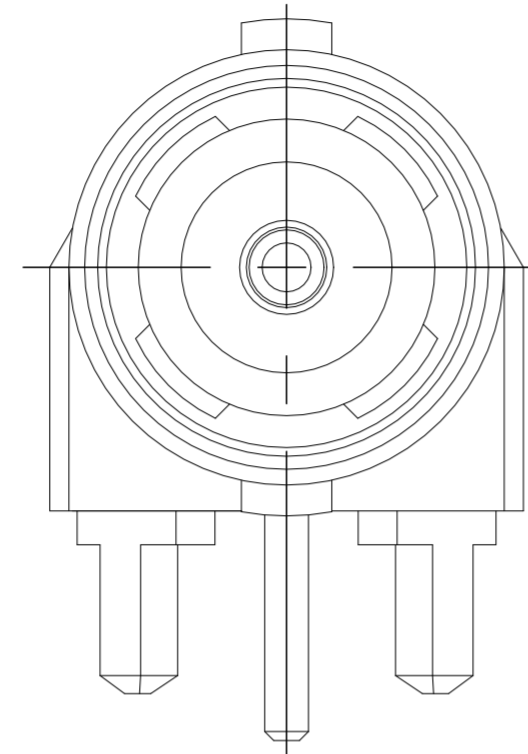


REVISIONS					
P	LTR	DESCRIPTION	DATE	DWN	APVD
	A1	REVISED PER ECR-24-198159	23JAN2024	ED	WH



NOTES:

- PACK IN ACCORDANCE WITH TE SPEC 107-3275;
- ALL DIMENSIONS ARE NOMINAL FOR REFERENCE ONLY UNLESS OTHERWISE STATED;
- ELECTRICAL CHARACTERISTICS :
 FREQUENCY RANGE : DC-2GHz
 NOMINAL IMPEDANCE : 50 OHMS
 INSULATION RESISTANCE : 5000 MOHMS
 WORKING VOLTAGE : 335 VRMS MAX
 DIELECTRIC WITHSTANDING VOLTAGE : 750 VOLTS MAX
 VSWR : 1.5 MAX(DC-2GHz)
 CONTACT RESISTANCE :
 CENTER CONTACT : 3 mOHMS MAX
 OUTER CONTACT : 2 mOHMS MAX;
- MECHANICAL CHARACTERISTICS :
 DURABILITY : 500 CYCLES
- TEMPERATURE RANGE: -65°-+165°;
- RoHS: COMPLIANT.

QTY	DESCRIPTION	MATERIAL	DESCRIPTION	ITEM
1	NATURAL	PTFE	INSULATOR	5
1	GOLD 50u"/NICKEL/COPPER	BRASS	CONTACT PIN	4
1	GOLD 50u"/NICKEL/COPPER	BERYLLIUM COPPER	CONTACT PIN	3
1	NATURAL	PTFE	INSULATOR	2
1	BRIGHT TIN 200u"/NICKEL/COPPER	ZINC DIECAST	BODY	1
2466267-1	PLATING	MATERIAL	DESCRIPTION	ITEM

THIS DRAWING IS A CONTROLLED DOCUMENT.

DWN	ED	11SEP2023	TE Connectivity	BNC JACK,PCB MOUNTING HOLE, RIGHT ANGLE,2GHZ
CHK	ED	11SEP2023		
APVD	WH	11SEP2023		
NAME				
DIMENSIONS:	TOLERANCES UNLESS OTHERWISE SPECIFIED:		PRODUCT SPEC	
mm			APPLICATION SPEC	
	0 PLC	± 0.3		
	1 PLC	± 0.2		
	2 PLC	± 0.1		
	3 PLC	± -		
	4 PLC	± -		
	ANGLES	± 5'		
MATERIAL	FINISH	-	WEIGHT	0
SEE TABLE			SCALE	8:1

CUSTOMER DRAWING

SIZE	A2	CAGE CODE	00779	DRAWING NO	C=2466267	RESTRICTED TO	-
SHEET	1	OF 1	REV	A1			