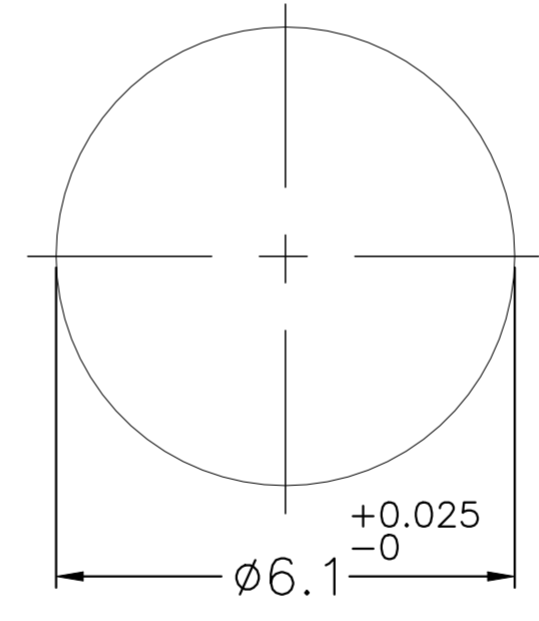
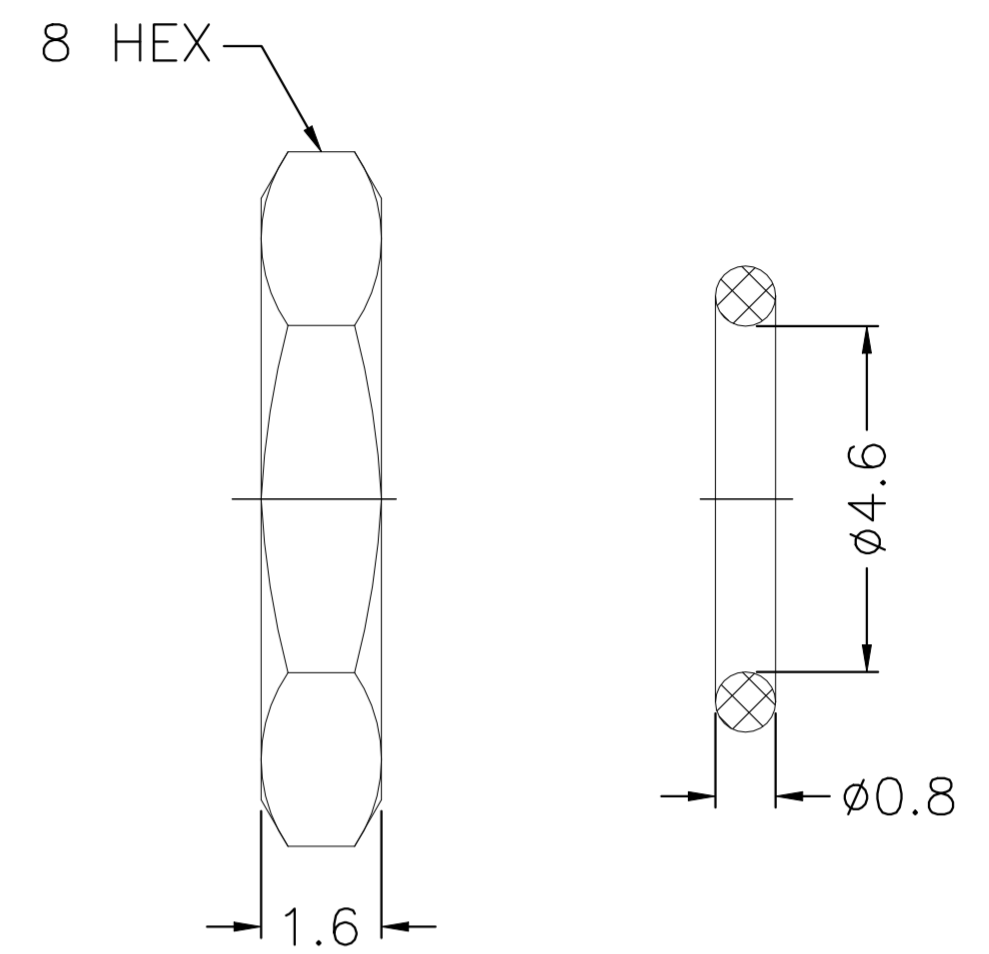
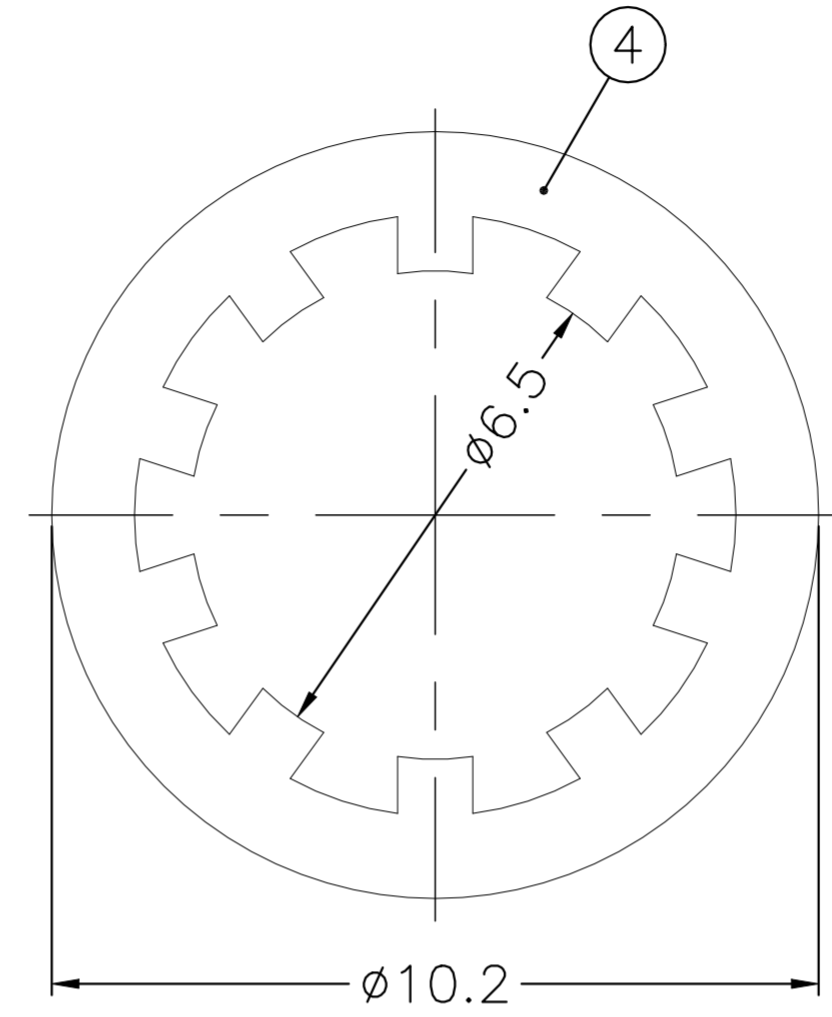
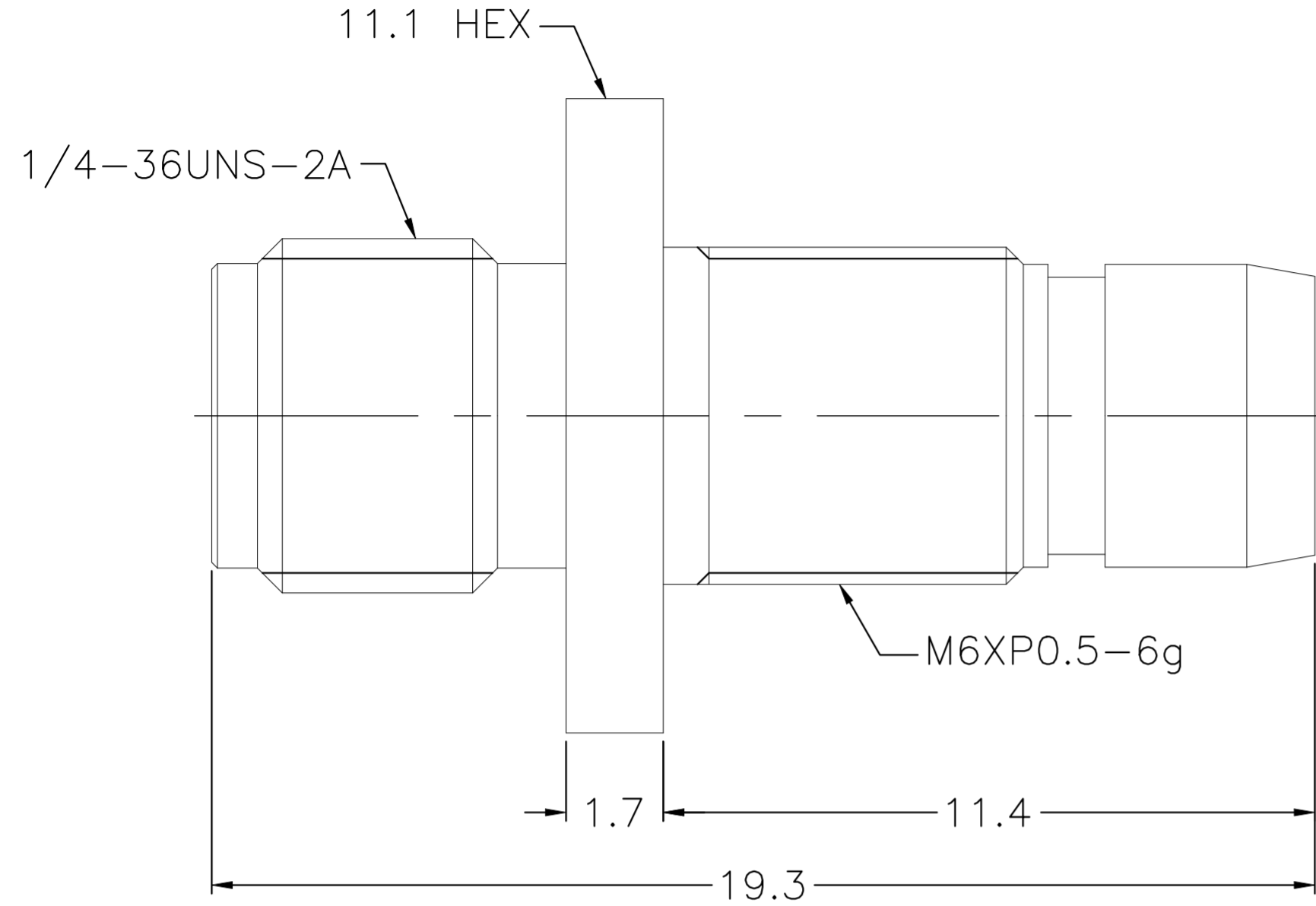


REVISIONS					
P	LTR	DESCRIPTION	DATE	DWN	APVD
	A	GTP(ECN-23-231221)	15SEP2023	ED	WH



RECOMMENDED MOUNTING HOLE

- NOTES:**
- PACK IN ACCORDANCE WITH TE SPEC 107-3275;
  - ALL DIMENSIONS ARE NOMINAL FOR REFERENCE ONLY UNLESS OTHERWISE STATED;
  - ELECTRICAL CHARACTERISTICS :  
 FREQUENCY RANGE : DC-18GHz  
 NOMINAL IMPEDANCE : 50 OHMS  
 INSULATION RESISTANCE : 5000 MOHMS  
 WORKING VOLTAGE : 335 VRMS MAX  
 DIELECTRIC WITHSTANDING VOLTAGE : 750 VOLTS MAX  
 VSWR : 1.2(DC-18GHz)  
 CONTACT RESISTANCE :  
 CENTER CONTACT : 3 mOHMS MAX  
 OUTER CONTACT : 2 mOHMS MAX;
  - MECHANICAL CHARACTERISTICS :  
 DURABILITY : 500 CYCLES  
 TORQUE SETTING(SMA) : 7-10 IN-LBS;
  - TEMPERATURE RANGE: -65°-+165°;
  - RoHS: COMPLIANT.

QUANTITY PER ASSY	PLATING	MATERIAL	DESCRIPTION	ITEM
1	-	FLUOROSILICONE	GASKET	6
1	PASSIVATED	STAINLESS STEEL	HEX NUT	5
1	PASSIVATED	STAINLESS STEEL	LOCK RING	4
1	GOLD 50u"/ NICKEL/COPPER	BERYLLIUM COPPER	CENTER CONTACT	3
1	NATURAL	PTFE	INSULATOR	2
1	PASSIVATED	STAINLESS STEEL	BODY	1

THIS DRAWING IS A CONTROLLED DOCUMENT.

DWN	ED	13SEP2023	 TE Connectivity	NAME ADAPTER,SMA JACK TO BMA PLUG, STRAIGHT,BULKHEAD,18GHZ
CHK	ED	13SEP2023		
APVD	WH	13SEP2023		
DIMENSIONS: mm			PRODUCT SPEC	SIZE
TOLERANCES UNLESS OTHERWISE SPECIFIED:			APPLICATION SPEC	CAGE CODE
0 PLC	± 0.3		WEIGHT	DRAWING NO
1 PLC	± 0.2		0	A2 00779
2 PLC	± 0.1		CUSTOMER DRAWING	C=2466280
3 PLC	± -		SCALE	8:1
4 PLC	± -		SHEET	1 OF 1
ANGLES	± 5'		REV	A
FINISH	-			