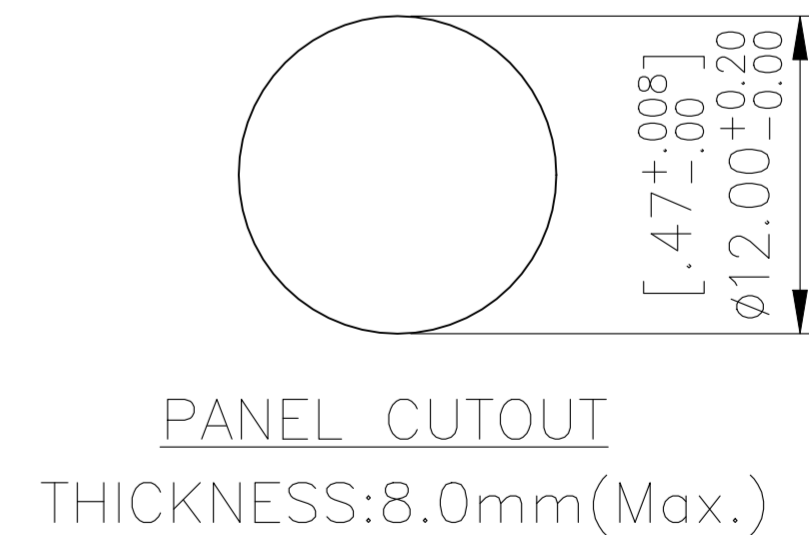
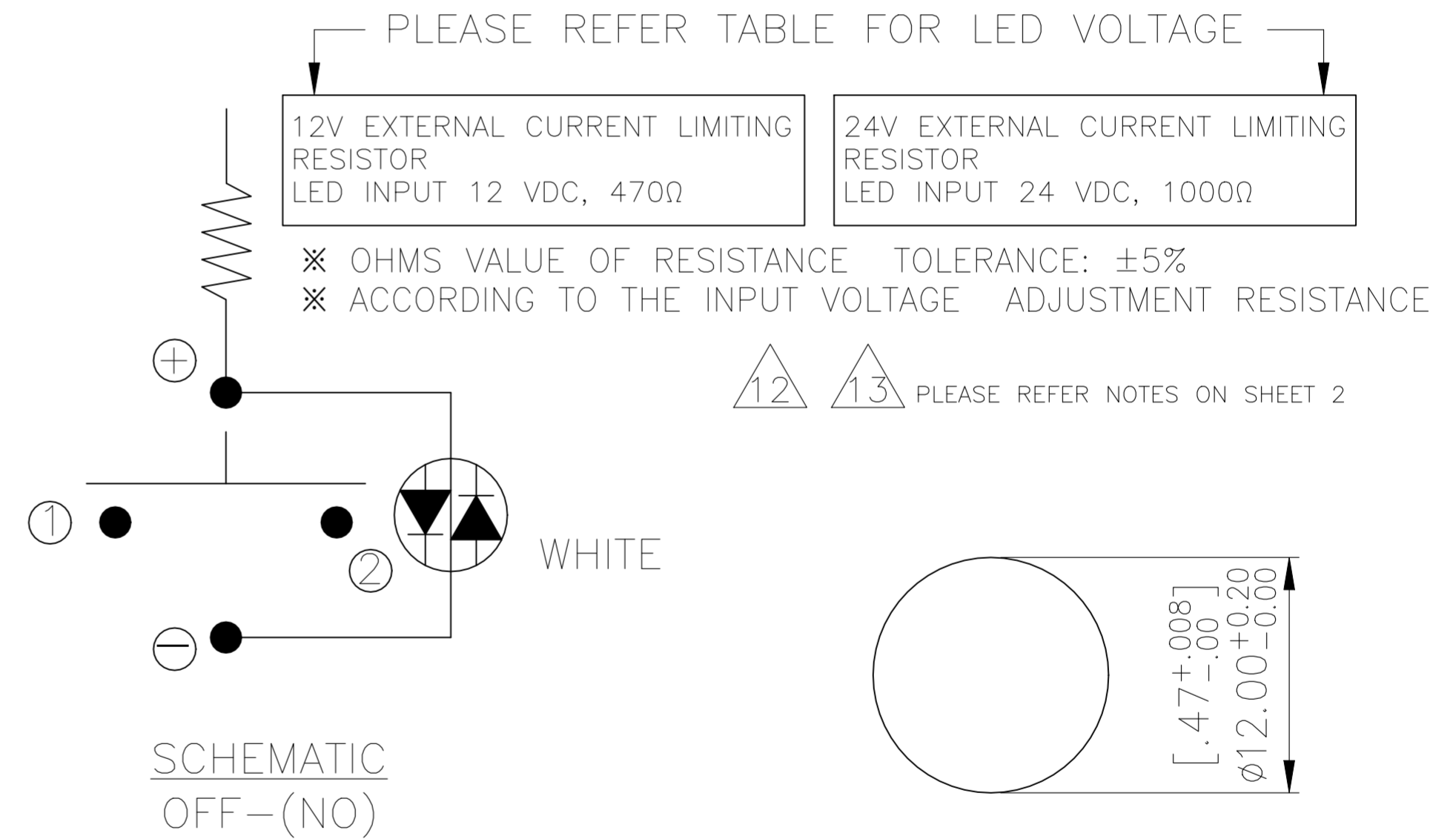
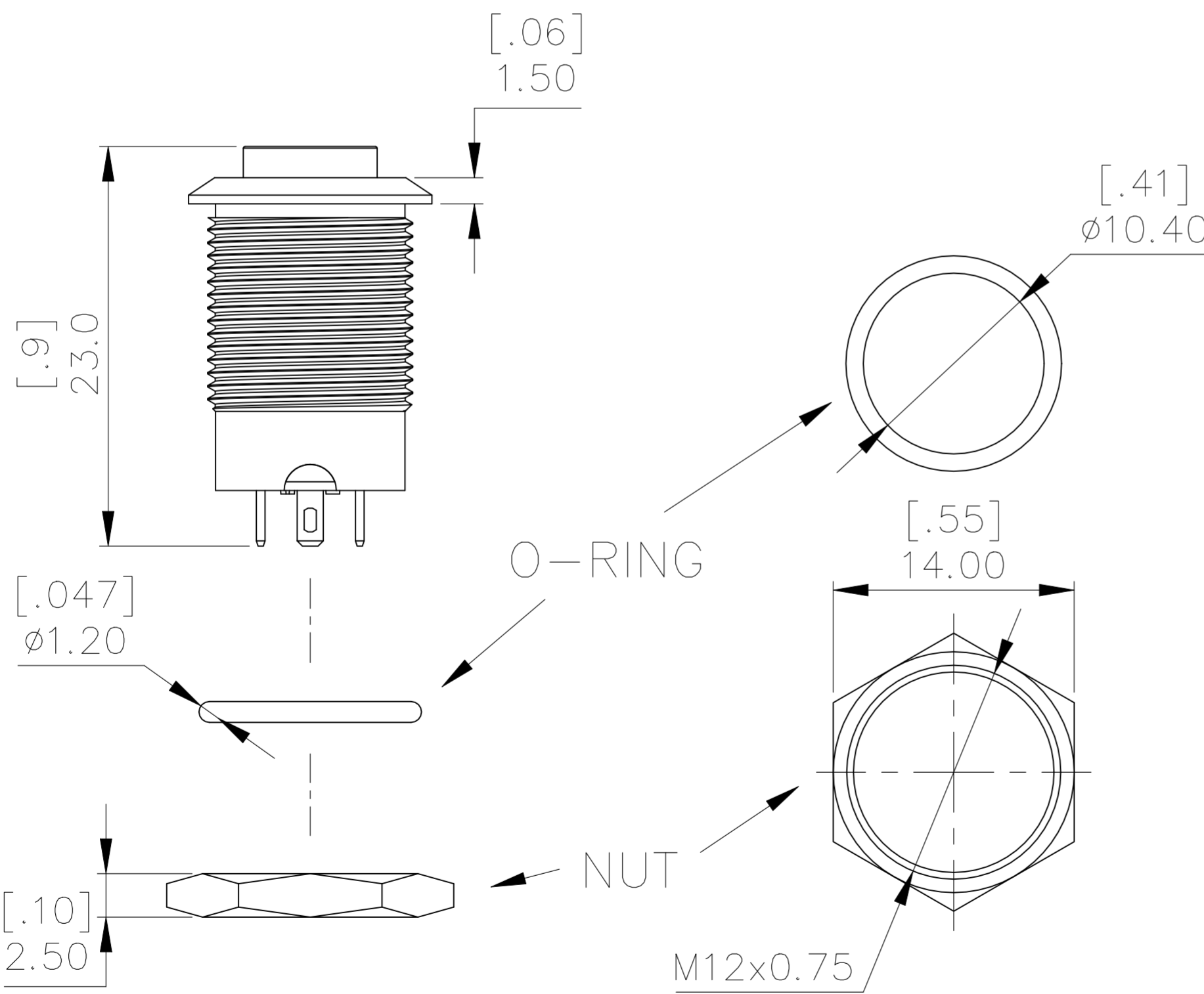
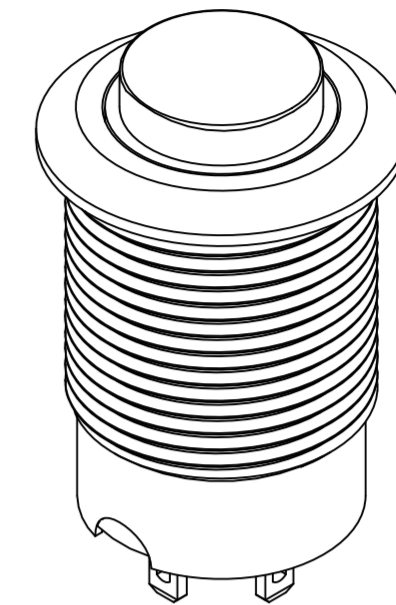
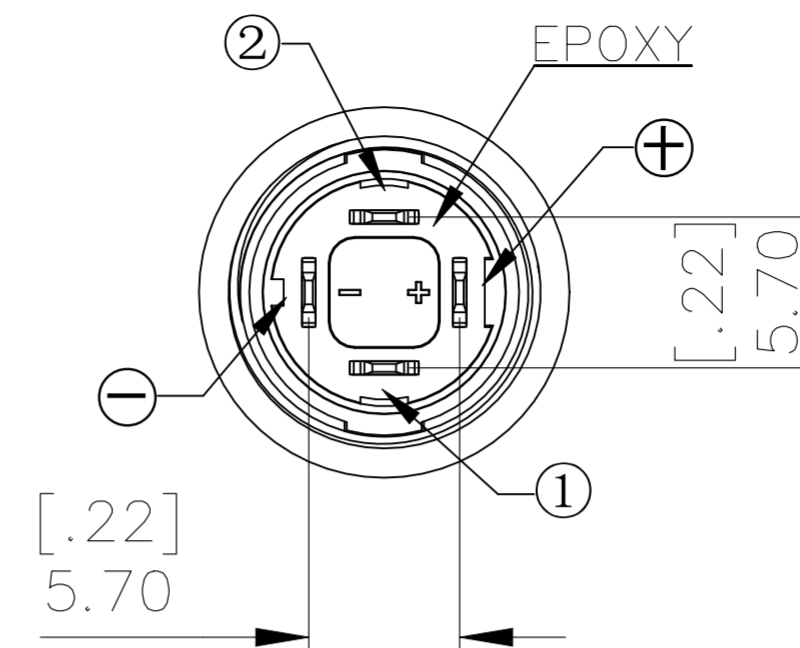
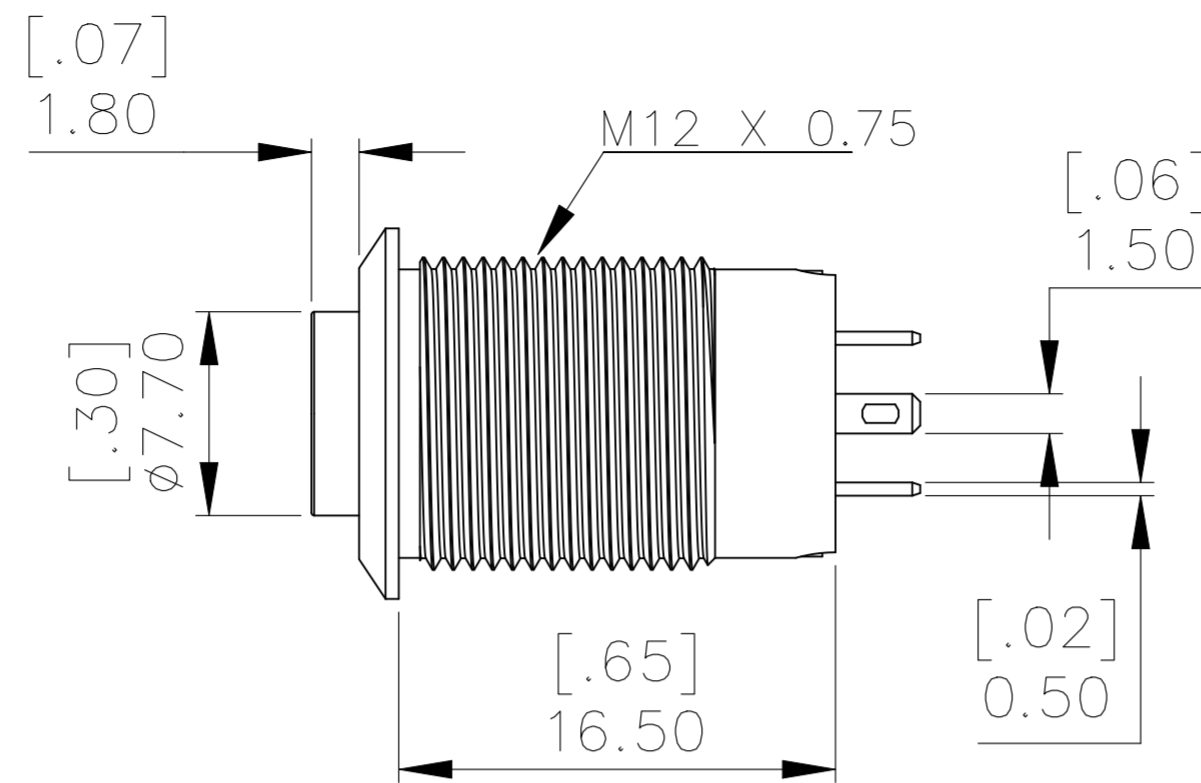
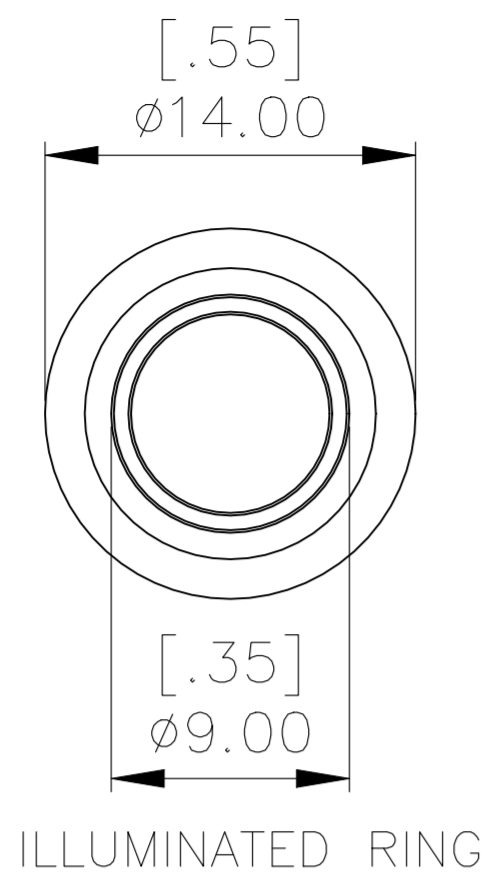


REVISIONS					
P	LTR	DESCRIPTION	DATE	DWN	APVD
1		NEW DRAWING	17OCT2023	LP	MY



THIS DRAWING IS A CONTROLLED DOCUMENT.		DWN LINGANATHAN P 16OCT2023	TE TE Connectivity	
DIMENSIONS: mm [INCHES]		CHK MANOJ YADAV 16OCT2023		
TOLERANCES UNLESS OTHERWISE SPECIFIED:		APVD MANOJ YADAV 16OCT2023	NAME ANTI-VANDAL SWITCH 12MM	
0 PLC ± -	1 PLC ± -	PRODUCT SPEC	SIZE A2	CAGE CODE 00779
2 PLC ± -	3 PLC ± -	APPLICATION SPEC	DRAWING NO C=2474606	RESTRICTED TO -
4 PLC ± -	ANGLES ± -	WEIGHT -	SCALE 1:1	SHEET 1 OF 2
MATERIAL -	FINISH -	CUSTOMER DRAWING	REV 1	

4

3

2

1

© - TE Connectivity. All Rights Reserved.

REVISIONS

P	LTR	DESCRIPTION	DATE	DWN	APVD
-	-	SEE SHEET 1	-	-	-

SWITCH ASSEMBLY WITH NUT

SPECIFICATIONS:

1. RATING: 100mA/24VDC.
2. ELECTRICAL LIFE: 100,000 MAKE-AND-BREAK CYCLES AT FULL LOAD.
3. MECHANICAL LIFE: 500,000. CYCLES
4. INSULATION RESISTANCE: 1,000MΩ MIN AT 500VDC .
5. DIELECTRIC STRENGTH: 1,000V RMS@sea level.
6. CONTACT RESISTANCE: 50mΩ MAX.@1A 12VDC(initial value).
7. OPERATING TEMPERATURE: -20°C to 55°C
8. TRAVEL: ABOUT 1.8mm.
9. OPERATION PRESSURE: 3.0±1.5N.
10. INGRESS PROTECTION: IP67
11. TORQUE: 1 ~ 3Nm.

△12 EXTERNAL CURRENT LIMITING RESISTOR (0.5W) IS REQUIRED TO LIMIT THE LED FORWARD CURRENT TO 20mA

△13 TE INCLUDES THE RESISTOR (0.5W) AND MOUNTING HARDWARE IN THE PACKAGE

MATERIAL :
 BUSHING : Stainless Steel.
 BASE : PA66.
 ACTUATOR : Stainless Steel / PC.
 INNER ASSEMBLY: PC.
 SPRING : Spring steel.
 SEALING : Silicone.
 O-Ring : Silicone.
 TERMINAL : Brass, Gold flash over silver.
 HEX NUT : Brass, Nickel plated.
 CONTACT : Brass, Gold plated.

SINGLE POLE-MOMENTARY	BLUE	24V	AV1210E724R04	1-2474606-0	10
	GREEN	24V	AV1210E624R04	2474606-9	9
	YELLOW	24V	AV1210E524R04	2474606-8	8
	RED	24V	AV1210E324R04	2474606-7	7
	WHITE	24V	AV1210E124R04	2474606-6	6
	BLUE	12V	AV1210E712R04	2474606-5	5
	GREEN	12V	AV1210E612R04	2474606-4	4
	YELLOW	12V	AV1210E512R04	2474606-3	3
	RED	12V	AV1210E312R04	2474606-2	2
	WHITE	12V	AV1210E112R04	2474606-1	1
POLE/THROW	LED COLOR	LED VOLTAGE	TE SMART P/N	TE PN	SL No.

THIS DRAWING IS A CONTROLLED DOCUMENT.		DWN	16OCT2023	LINGANATHAN P	
DIMENSIONS: mm [INCHES]		CHK	16OCT2023	MANOJ YADAV	
TOLERANCES UNLESS OTHERWISE SPECIFIED:		APVD	16OCT2023	MANOJ YADAV	
0 PLC ± -		NAME			
1 PLC ± -		PRODUCT SPEC			
2 PLC ± -		APPLICATION SPEC			
3 PLC ± -		WEIGHT			
4 PLC ± -		SCALE			
ANGLES ± -		SHEET			
FINISH		REV			
MATERIAL		CUSTOMER DRAWING			
		SCALE 1:1 SHEET 2 OF 2 REV 1			

ANTI-VANDAL SWITCH 12MM

SIZE	CAGE CODE	DRAWING NO	RESTRICTED TO
A2	00779	C=2474606	-

1471-9 (1/15)

2474606

B

A