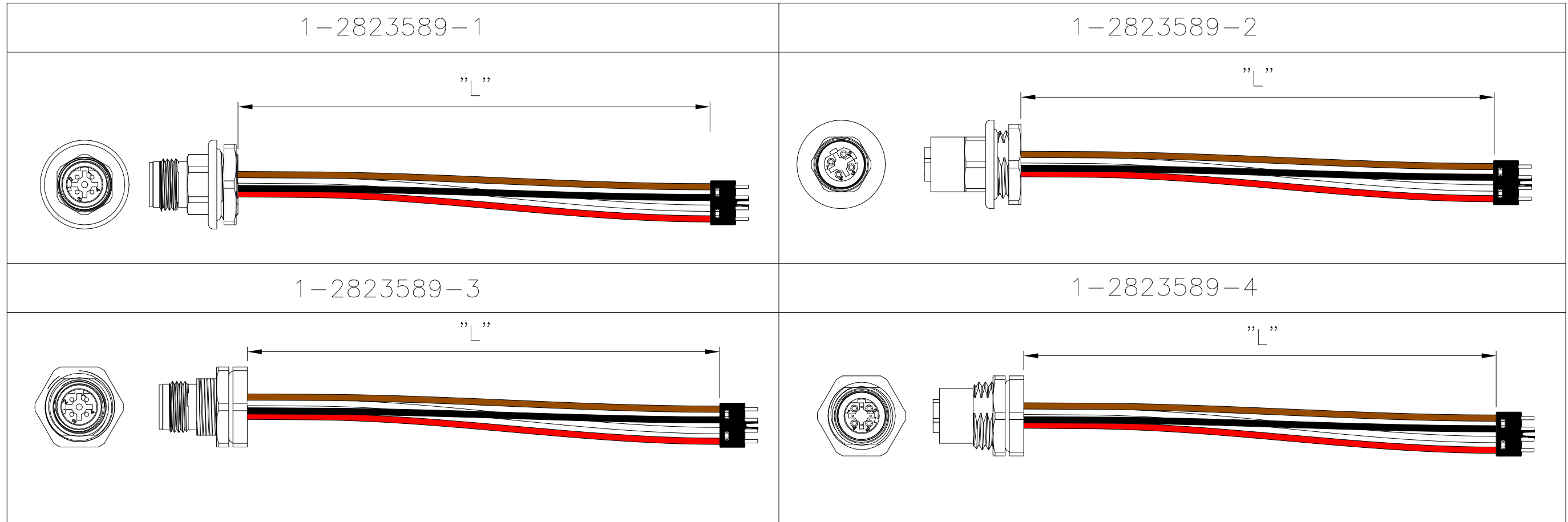


PROJECT	PRJ-14-000004825
PART NO	X-2823589-X
HV DESC	M12, D-CODED, PCB MOUNT CABLES
CUSTOMER	GENERAL MARKET

P	LTR	DESCRIPTION	DATE	DWN	APVD
	A1	ADDED MISSING INFORMATION	29SEP2020	GK	SE

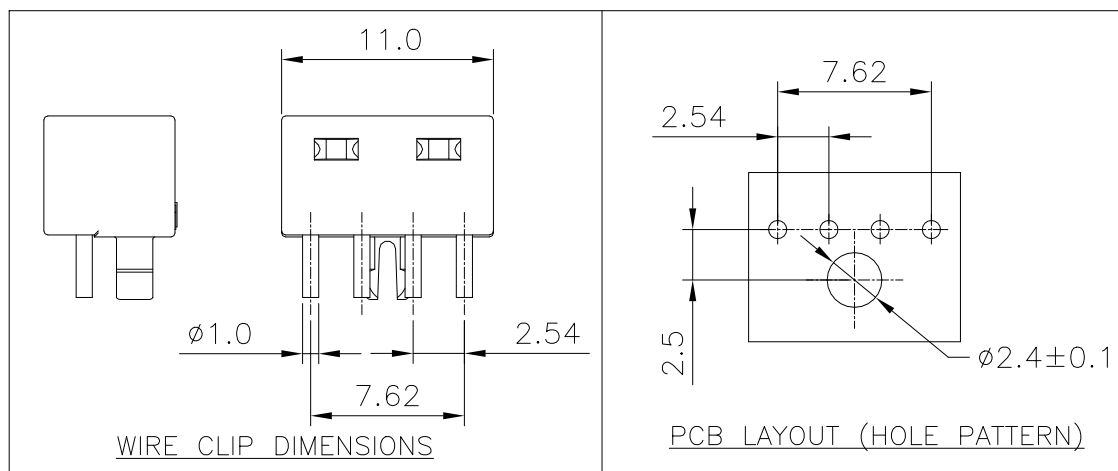
D-CODE 4 POSITION



PART NUMBER	DESCRIPTION	CODE TYPE AND PANEL MOUNTING	CABLE LENGTH "L"
1-2823589-1	M12 D-CODE 4, MALE FRONT PANEL MOUNT	D4 MALE, FRONT MOUNTED	80mm
1-2823589-2	M12 D-CODE 4, FEMALE FRONT PANEL MOUNT	D4 FEMALE, FRONT MOUNTED	80mm
1-2823589-3	M12 D-CODE 4, MALE REAR PANEL MOUNT	D4 MALE, REAR MOUNTED	80mm
1-2823589-4	M12 D-CODE 4, FEMALE REAR PANEL MOUNT	D4 FEMALE, REAR MOUNTED	80mm

A5 PIN#	COLOR	CLIP PIN#
1	BROWN	1
2	BLACK	2
3	WHITE	3
4	RED	4

PIN ASSIGNMENTS D4 CODING

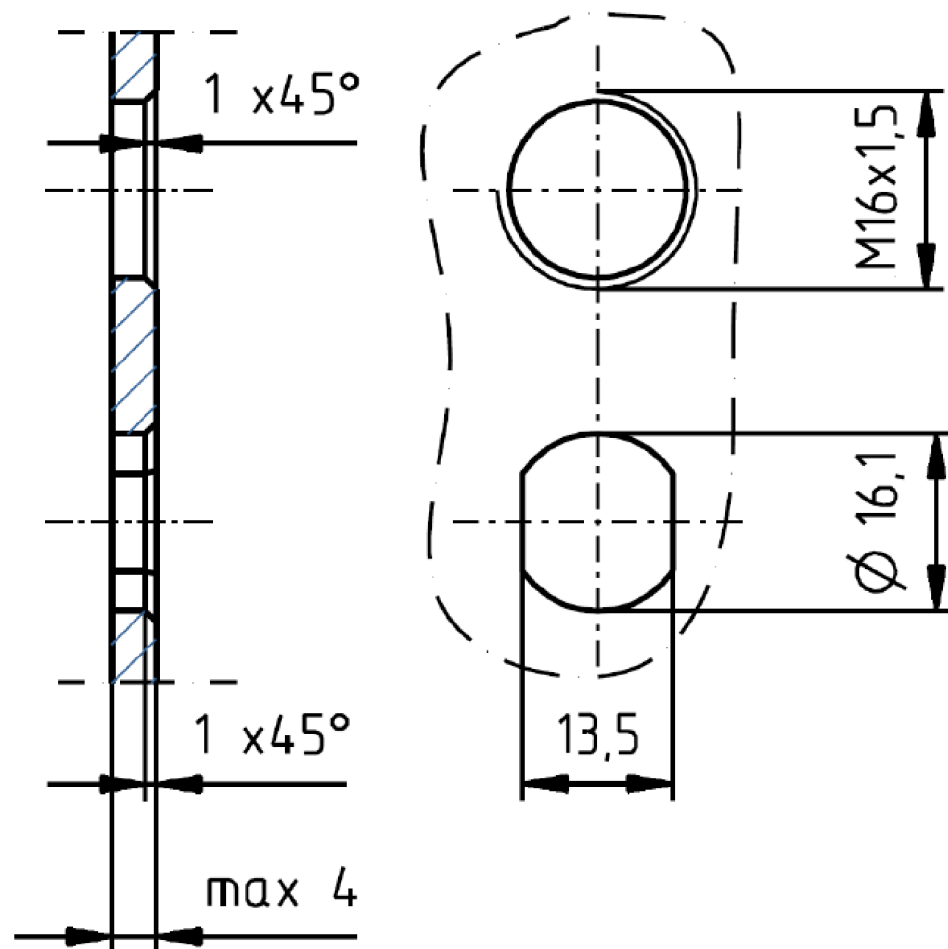


REFER PAGE-2 FOR PANEL CUT-OUT INFORMATION

THIS DRAWING IS A CONTROLLED DOCUMENT.		DWN	16SEP2020	TE Connectivity
		CHK	GOPALAKRISHNA HV	
		CHK	S EGBERT	NAME
		APVD	S EGBERT	
		PRODUCT SPEC		M12, D-CODED PCB MOUNT CABLES
		APPLICATION SPEC		
		WEIGHT		SIZE
		MATERIAL		CAGE CODE
		FINISH		DRAWING NO
				RESTRICTED TO
		CUSTOMER DRAWING		SCALE
				SHEET
				1 OF 2
				REV
				A1

REVISIONS

P	LTR	DESCRIPTION	DATE	DWN	APVD
-	-	SEE SHEET 1	-	-	-



PANEL CUT-OUT INFORMATION

THIS DRAWING IS A CONTROLLED DOCUMENT.		DWN GOPALAKRISHNA HV 16SEP2020														
DIMENSIONS: mm		CHK S EGBERT 16SEP2020														
TOLERANCES UNLESS OTHERWISE SPECIFIED:		APVD S EGBERT 16SEP2020	NAME M12, D-CODED PCB MOUNT CABLES													
<table border="0"> <tr><td>0 PLC</td><td>± -</td></tr> <tr><td>1 PLC</td><td>± -</td></tr> <tr><td>2 PLC</td><td>± -</td></tr> <tr><td>3 PLC</td><td>± -</td></tr> <tr><td>4 PLC</td><td>± -</td></tr> <tr><td>ANGLES</td><td>± -</td></tr> </table>		0 PLC	± -	1 PLC	± -	2 PLC	± -	3 PLC	± -	4 PLC	± -	ANGLES	± -	PRODUCT SPEC -	SIZE A3	
0 PLC	± -															
1 PLC	± -															
2 PLC	± -															
3 PLC	± -															
4 PLC	± -															
ANGLES	± -															
MATERIAL -		FINISH -	CAGE CODE 00779	DRAWING NO C-2823589												
		WEIGHT -	RESTRICTED TO -													
CUSTOMER DRAWING			SCALE NTS	SHEET 2 OF 2												
			REV A1													