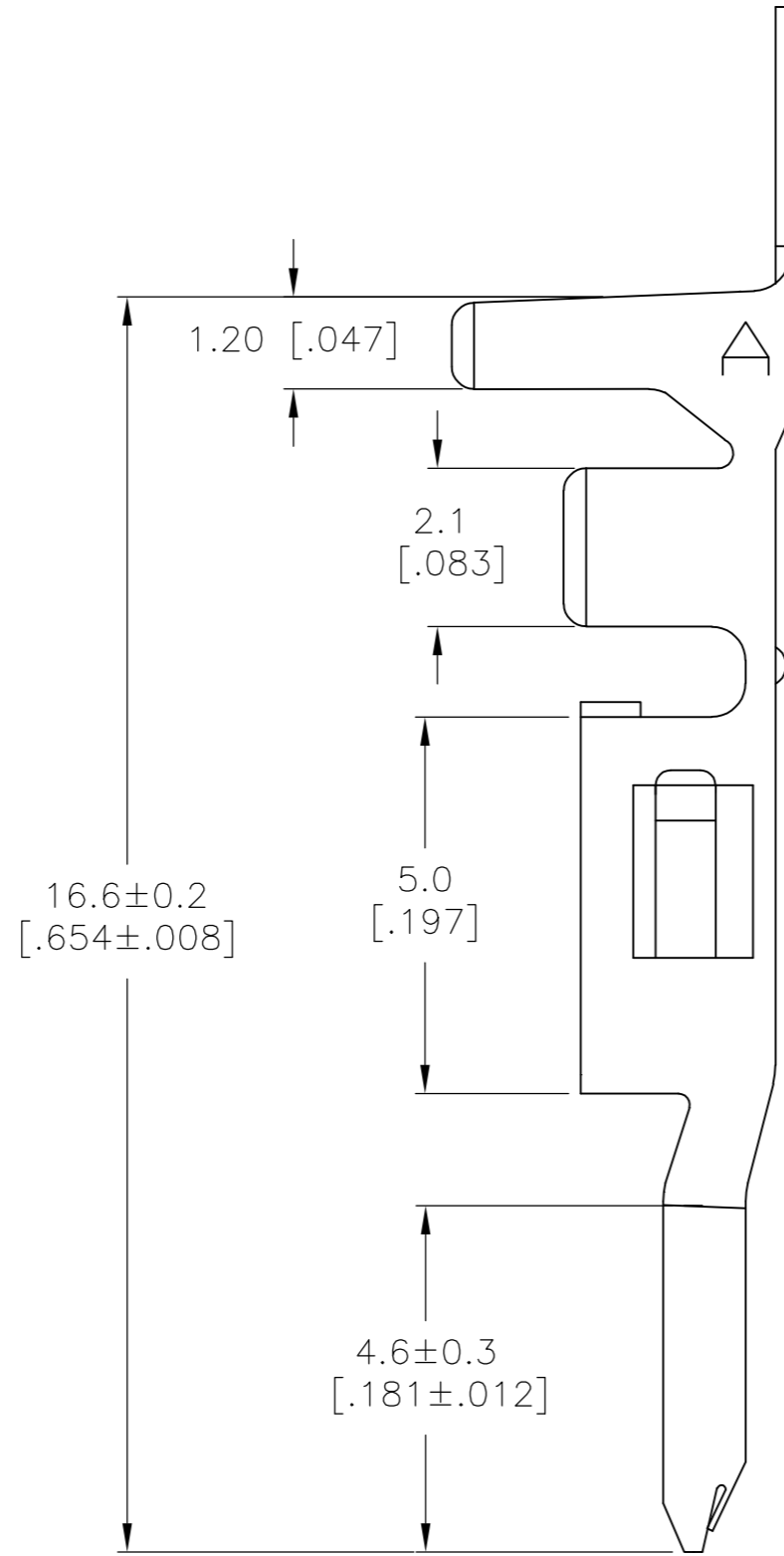
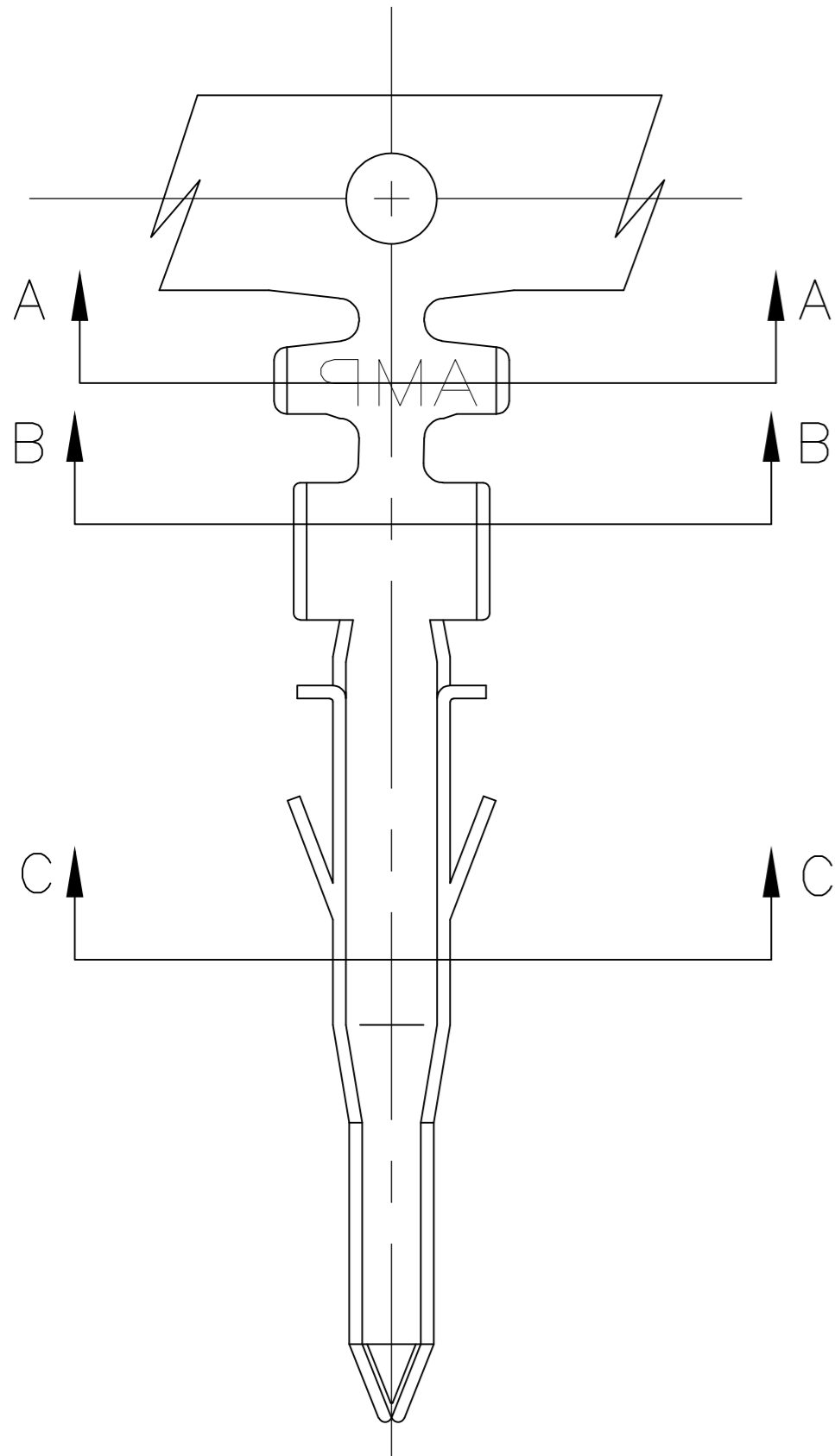
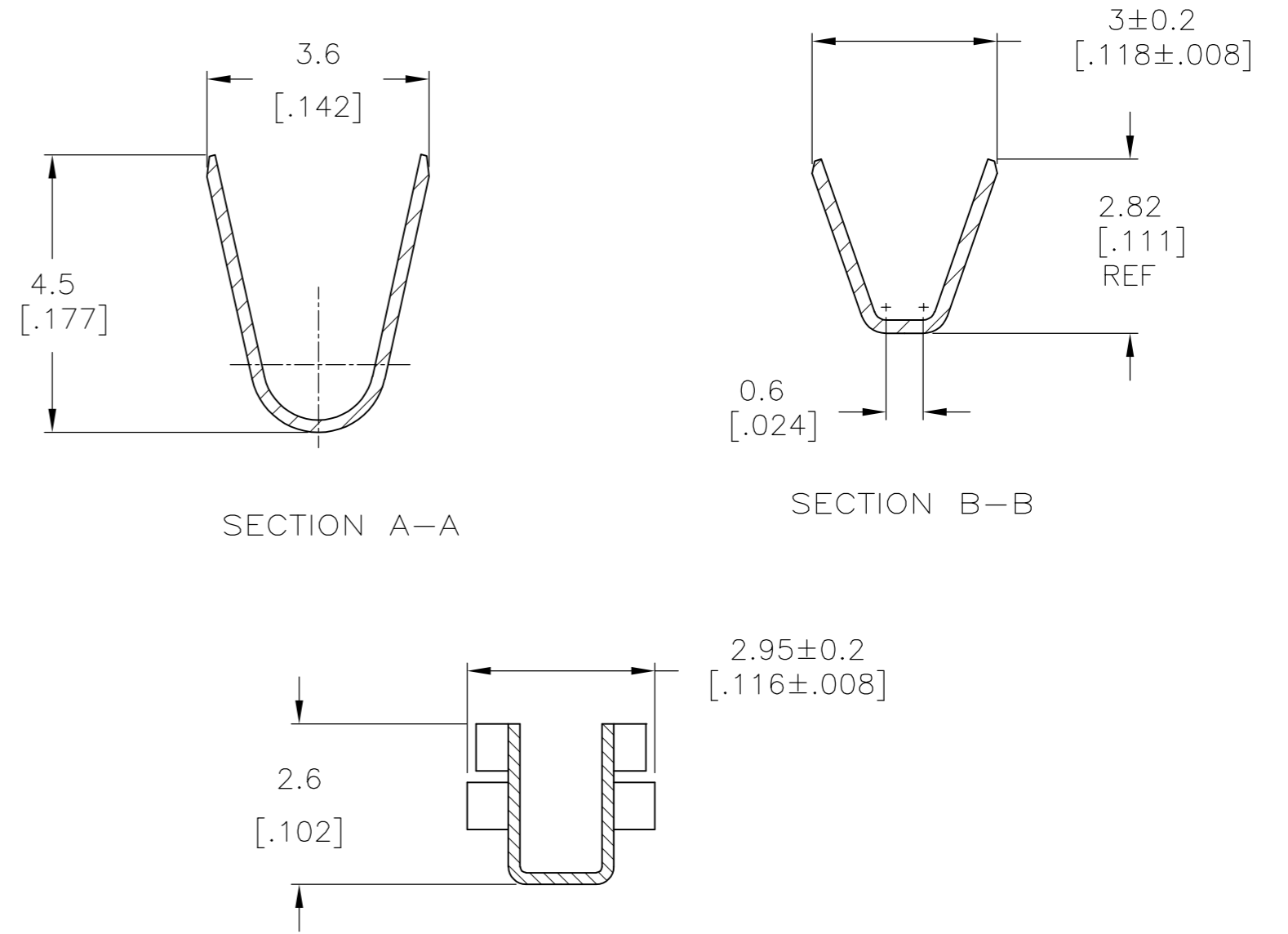


THIS DRAWING IS UNPUBLISHED. RELEASED FOR PUBLICATION
 © COPYRIGHT - By - ALL RIGHTS RESERVED.

REVISIONS					
P	LTR	DESCRIPTION	DATE	DWN	APVD
A		FIRST RELEASED	15AUG2017	WH	DZ



- 1 WIRE SIZE: 1.31mm² (16 AWG)
- 2 INSULATION RANGE: DIA 1.80–3.10 mm [.071–.122 in]
- 3 FINISHED: 2.54µm MIN PRE-TIN ALL OVER, WITH 0.762µm MIN NICKEL UNDER-PLATING ALL OVER
- 4 MATING PART: 2825207-1 (STRIP TYPE) OR 2825209-1 (LOOSE TYPE)



PRE-TIN 3	HIGH PERFORMANCE COPPER ALLOY	2825206-1
FINISH	MATERIAL	PART NO.

THIS DRAWING IS A CONTROLLED DOCUMENT.		DWN WARREN HUO 15AUG2017	STE TE Connectivity	
DIMENSIONS: mm [INCHES]		CHK DANIEL ZHANG 15AUG2017		
TOLERANCES UNLESS OTHERWISE SPECIFIED:		APVD DANIEL ZHANG 15AUG2017	NAME DANIEL ZHANG	
0 PLC ±		PRODUCT SPEC 108-150000	TERMINAL, PIN VAL-U-LOK(TM) HCS	
1 PLC ± 0.25 [.010]		APPLICATION SPEC 114-13172	SIZE A2	CAGE CODE 00779
2 PLC ± 0.13 [.005]		FINISH	DRAWING NO C=2825206	RESTRICTED TO
3 PLC ±		WEIGHT 0	SCALE N/A	SHEET 1 of 1
4 PLC ±		CUSTOMER DRAWING	REV A	
ANGLES ± 0°30'				
SEE TABLE				