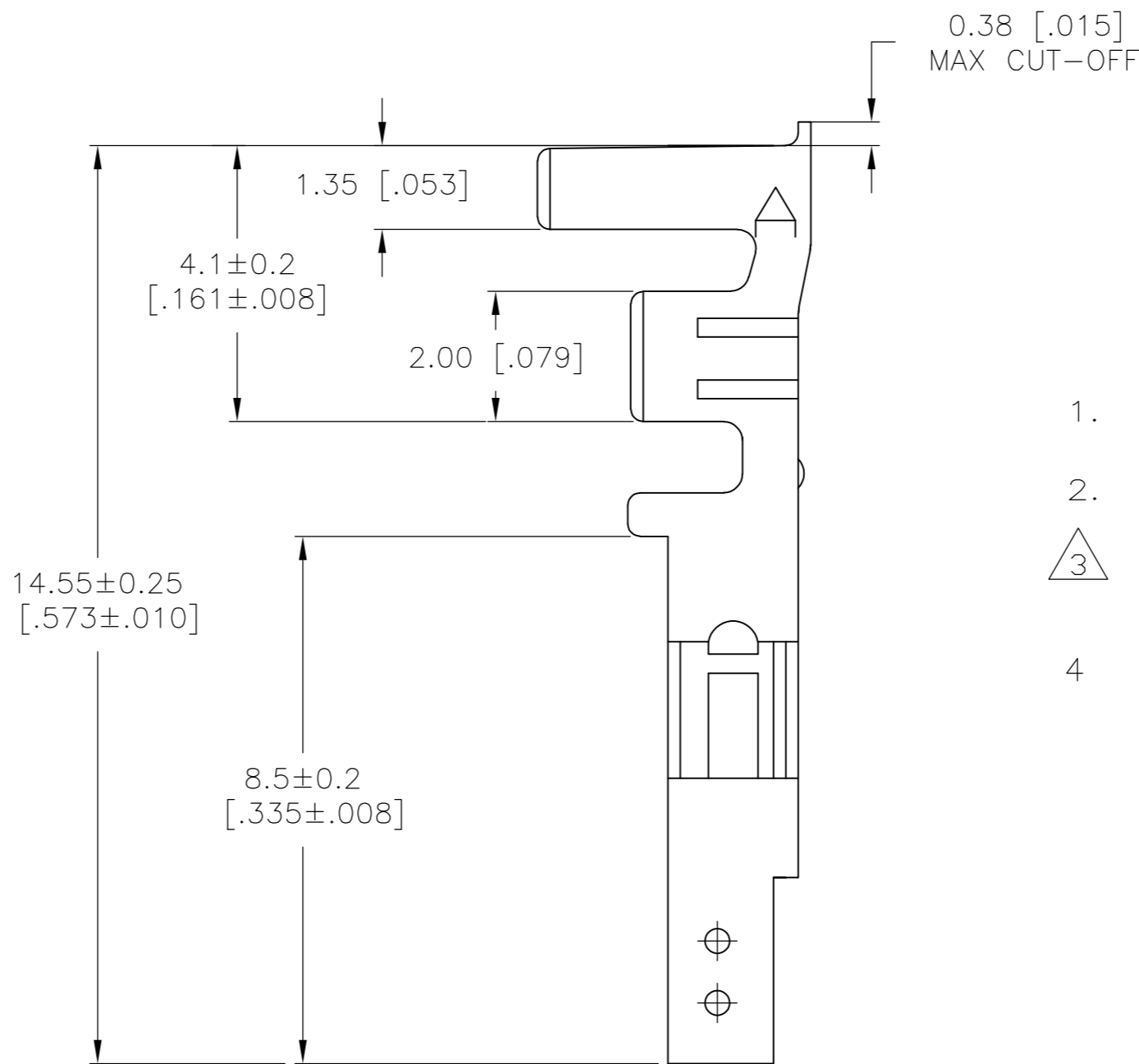
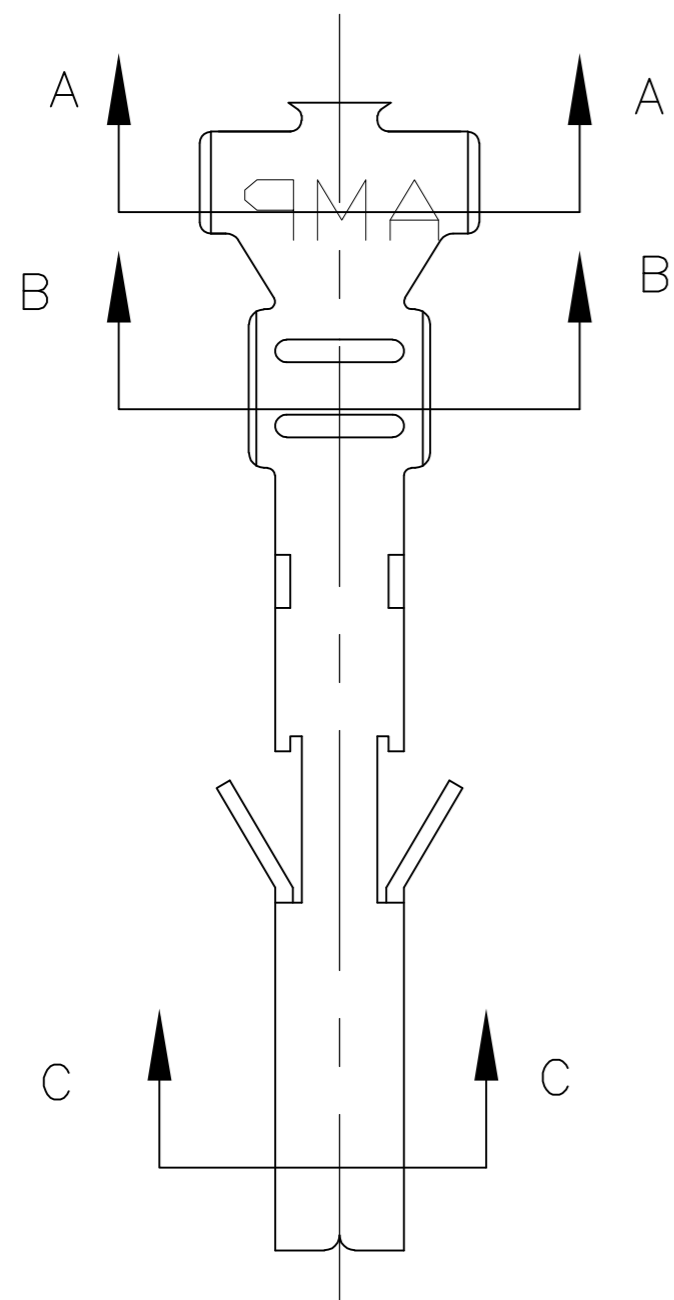
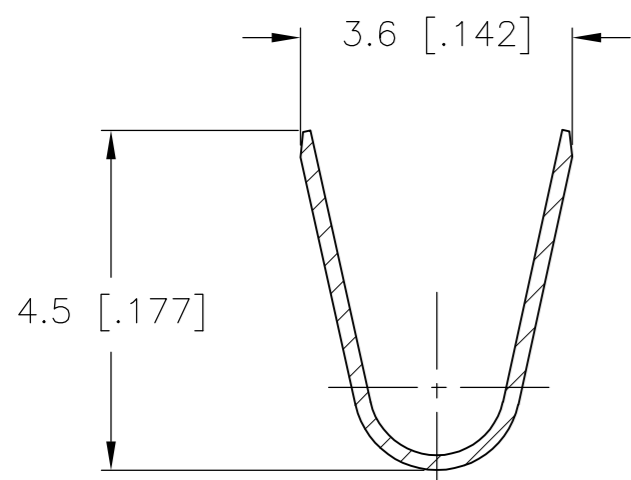


THIS DRAWING IS UNPUBLISHED. RELEASED FOR PUBLICATION
 © COPYRIGHT - By - ALL RIGHTS RESERVED.

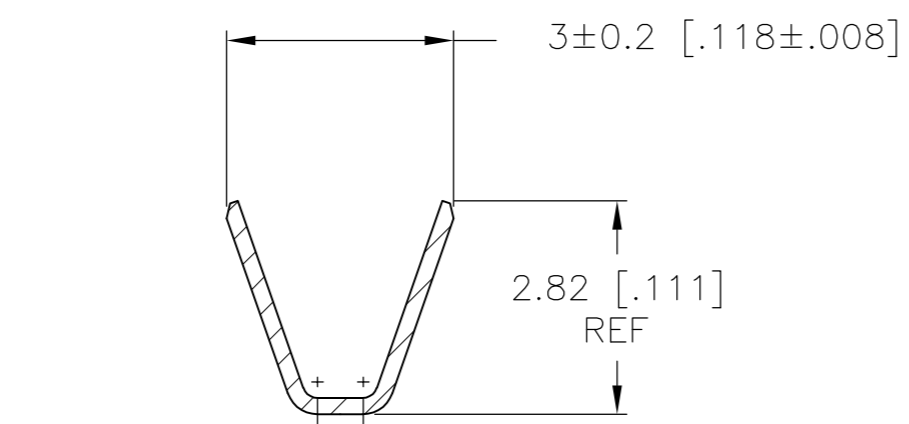
REVISIONS				
P	LTR	DESCRIPTION	DATE	APVD
A		FIRST RELEASED	15AUG2017	WH DZ



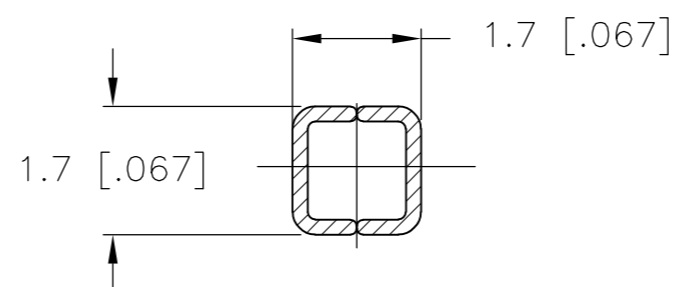
1. WIRE SIZE: 1.31mm² (16 AWG)
2. INSULATION RANGE: DIA 1.80–3.10mm [.071–.122 in].
3. FINISH: 2.54um MIN PRE-TIN ALL OVER, WITH 0.762um MIN NICKEL UNDER-PLATING ALL OVER.
4. MATING PART: 2825206-1 (STRIP TYPE) OR 2825208-1 (LOOSE TYPE)



SECTION A-A



SECTION B-B



SECTION C-C

PRE-TIN Δ 3	HIGH PERFORMANCE COPPER ALLOY	2825209-1
FINISH:	MATERIAL:	PART NO.

THIS DRAWING IS A CONTROLLED DOCUMENT.		DWN WARREN HUO 15AUG2017	TE Connectivity	
DIMENSIONS: mm [INCHES]		CHK DANIEL ZHANG 15AUG2017	NAME	
TOLERANCES UNLESS OTHERWISE SPECIFIED:		APVD DANIEL ZHANG 15AUG2017	PRODUCT SPEC	
0 PLC ±		108-150000	APPLICATION SPEC	
1 PLC ± 0.25 [.010]		114-13172	SIZE	CAGE CODE
2 PLC ± 0.13 [.005]		0	A2	00779
3 PLC ± -		WEIGHT	DRAWING NO	
4 PLC ±		CUSTOMER DRAWING	C=2825209	
FINISH		SCALE	SHEET	REV
SEE TABLE		N/A	1 OF 1	A

2825209