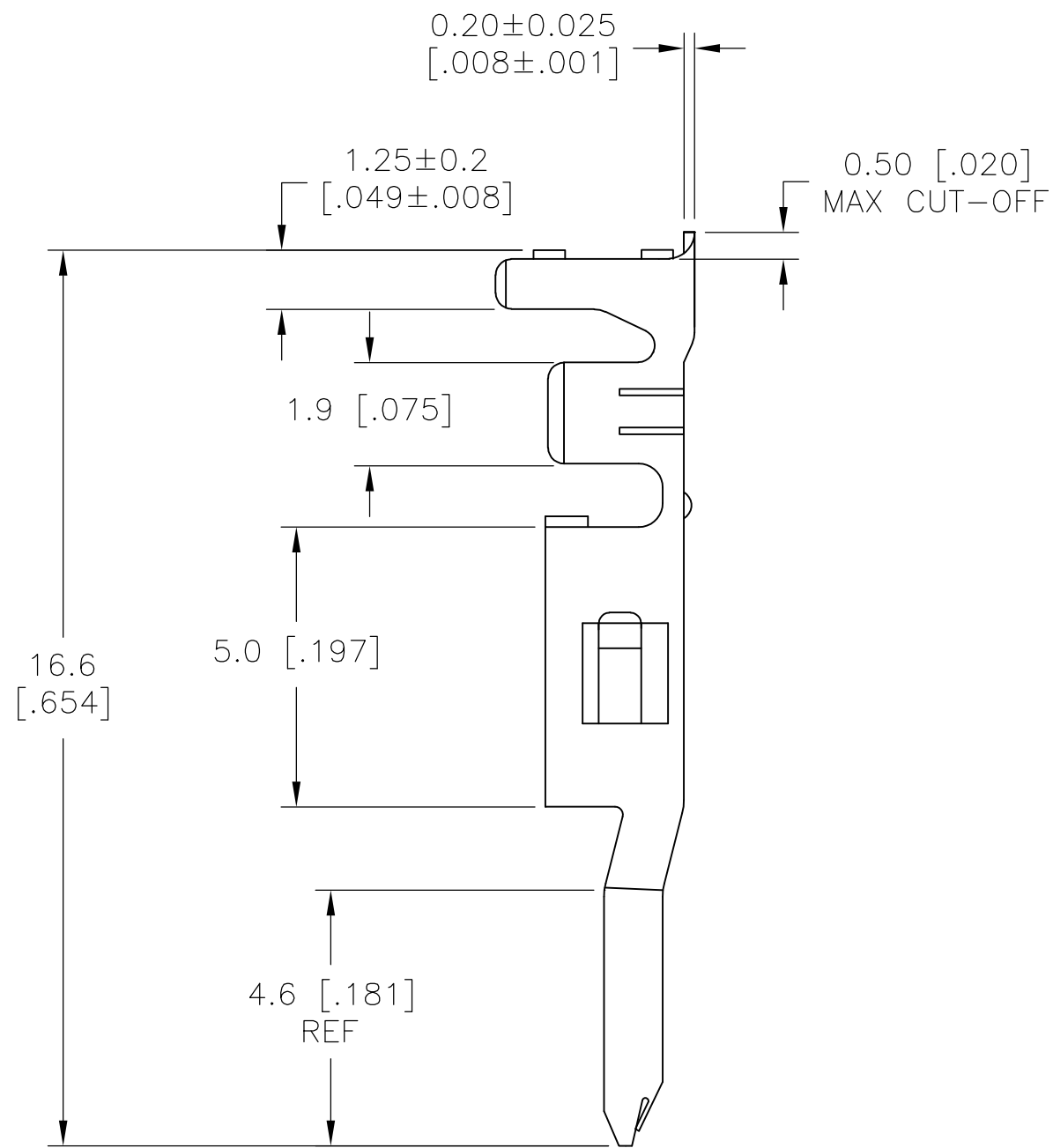
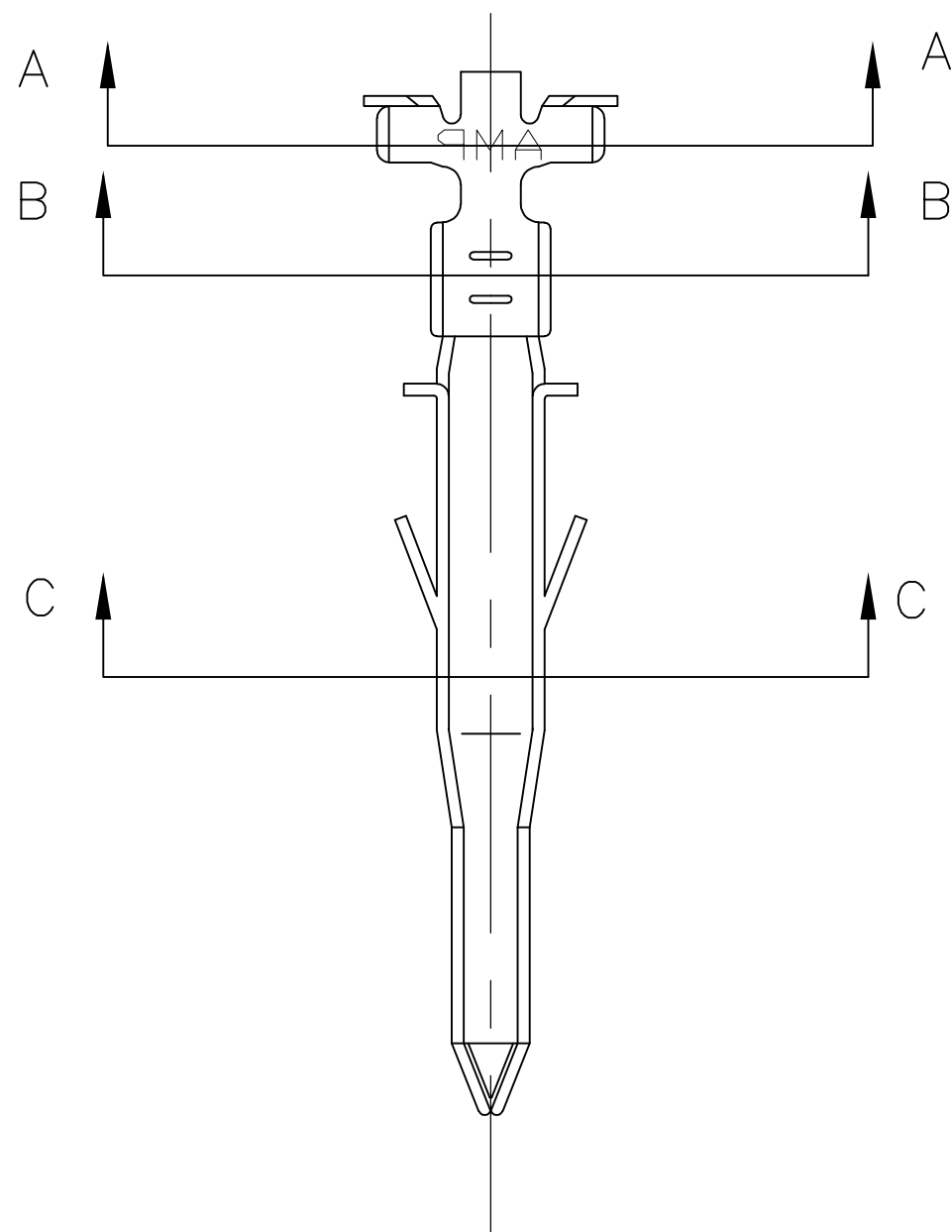
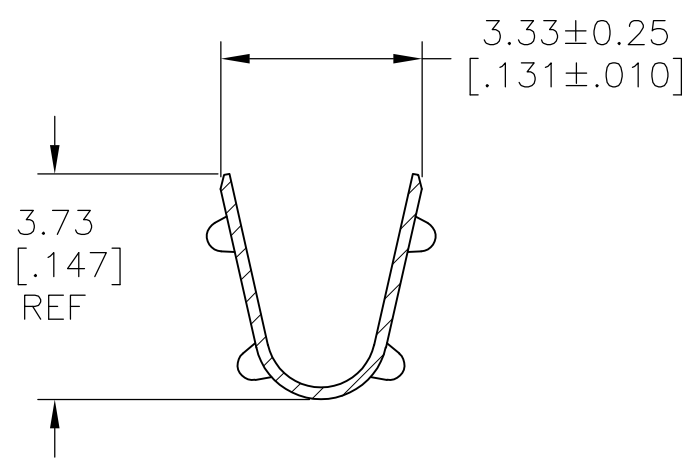


THIS DRAWING IS UNPUBLISHED. RELEASED FOR PUBLICATION
 © COPYRIGHT - By - ALL RIGHTS RESERVED.

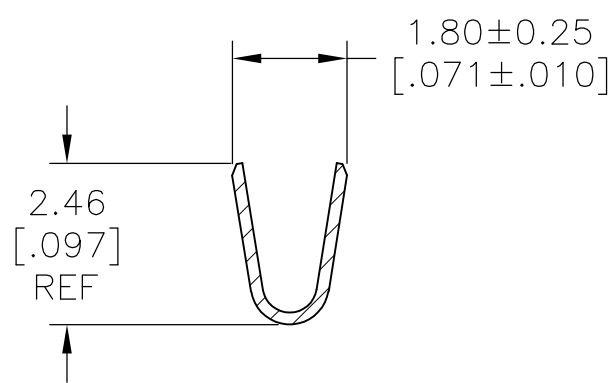
REVISIONS					
P	LTR	DESCRIPTION	DATE	DWN	APVD
A		FIRST RELEASED	15AUG2017	WH	DZ



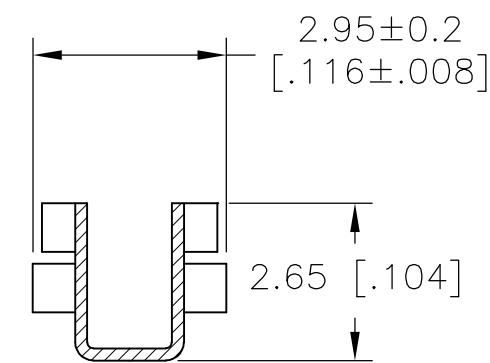
- 1 WIRE RANGE 0.3-0.82mm² [22-18 AWG]
- 2 INSULATION RANGE: DIA 1.50-3.10 mm [.060-.122 in]
- 3 FINISH: 2.54µm [.0001 in] MINIMUM PRE-TIN ALL OVER.
- 4 MATING PART: 2825211-1(STRIIP TYPE) OR 2825213-1(LOOSE TYPE)



SECTION A-A



SECTION B-B



SECTION C-C

PRE-TIN \triangle 3	HIGH PERFORMANCE COPPER ALLOY	2825212-1
FINISH	MATERIAL	PART NO.

THIS DRAWING IS A CONTROLLED DOCUMENT.		DWN WARREN HUO 15AUG2017	TE Connectivity	
DIMENSIONS: mm [INCHES]		CHK DANIEL ZHANG 15AUG2017	NAME	
TOLERANCES UNLESS OTHERWISE SPECIFIED:		APVD DANIEL ZHANG 15AUG2017	PIN TERMINAL, VAL-U-LOK HCS, LOOSE PIECE	
0 PLC ± -		PRODUCT SPEC	RESTRICTED TO	
1 PLC ± 0.25 [.010]		108-150000	-	
2 PLC ± 0.13 [.005]		APPLICATION SPEC	SIZE	CAGE CODE
3 PLC ± -		114-13172	A2	00779
4 PLC ± -		WEIGHT	DRAWING NO	
ANGLES ± -		0	C=2825212	
MATERIAL	FINISH	CUSTOMER DRAWING	SCALE	SHEET
SEE TABLE	SEE TABLE		N/A	1 of 1