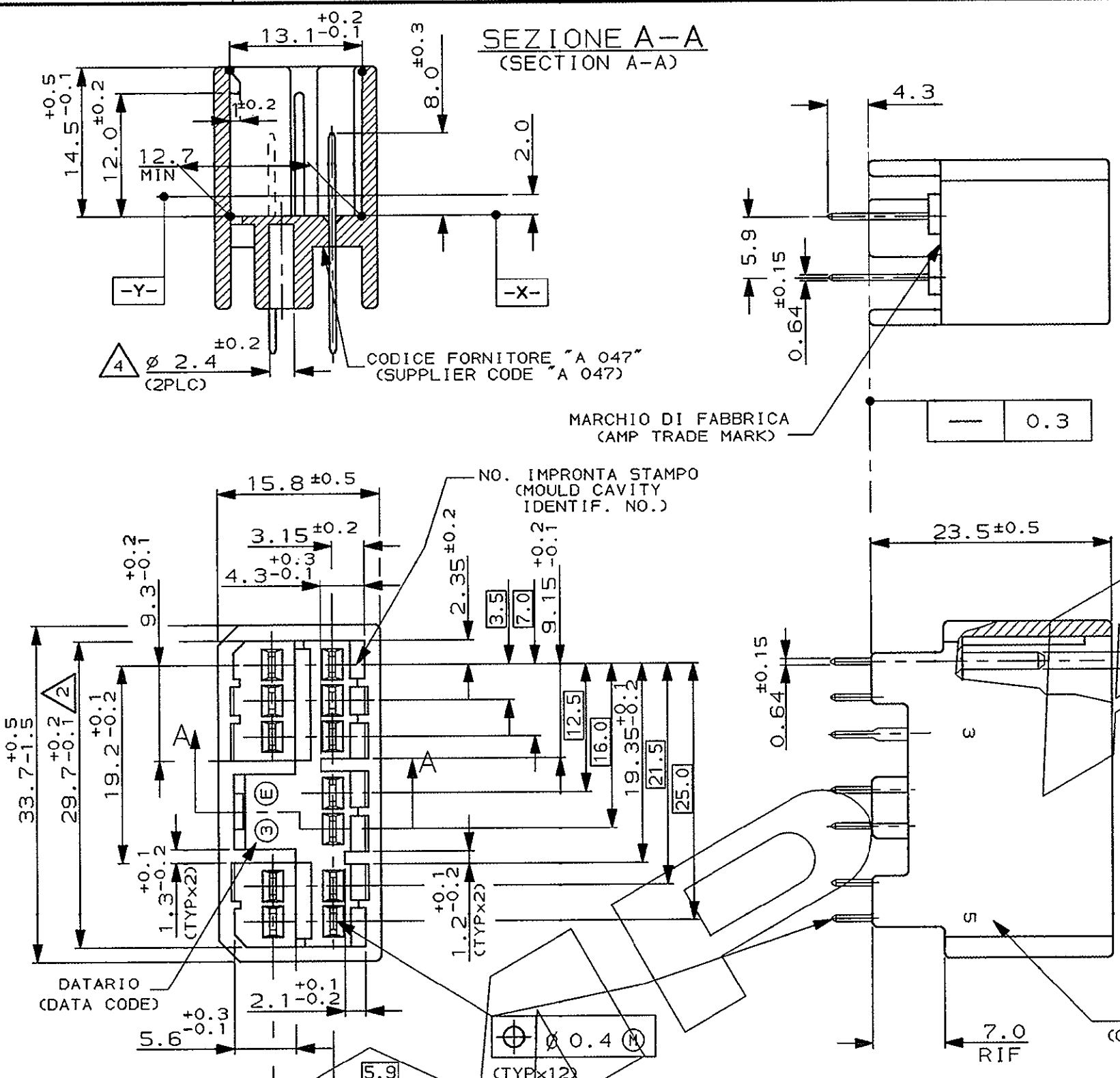


SCALA NON IMPEGNATIVA  
(DO NOT SCALE)  
DIMENSIONI IN mm  
(DIMENSIONS IN mm)

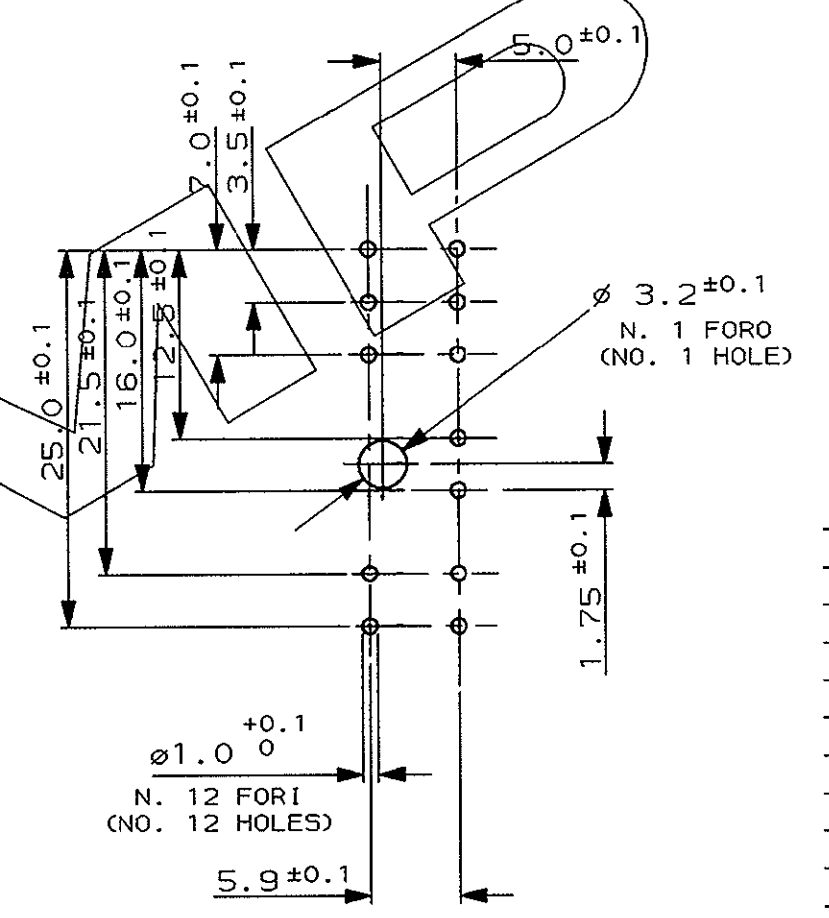
**METRIC**

PROIEZIONE EUROPEA  
(EUROPEAN PROJECTION)

**SEZIONE A-A**  
(SECTION A-A)



SCHEMA FORATURA CIRCUITO, SPESSORE 1.6 ± 0.2  
(PCB HOLE PATTERN THICKNESS 1.6 ± 0.2)



- 1) BLOCCHETTO ADATTO PER CONTROPARTI P/N 173851-1 E P/N 282367-1 (12 VIE)  
(HOUSING SUITABLE FOR PLUG 12 POSITION P/N 173851-1 AND P/N 282367-1).
- 2) QUOTE MISURATE TRA I PIANI -X- E -Y-.  
(DIMENSIONS MUST BE KEPT BETWEEN -X- AND -Y-).
- 3) TAB IN OTTONE STAGNATO.  
(TAB: BRASS TIN PLATED).
- 4) FORO PER VITE AUTOFILETTANTE M3, DA APPLICARE PRIMA DELLA STAGNATURA AD ONDA.  
(HOLE FOR TAPPING SCREW M3, BEFORE SOLDER OPERATION)

BIANCO (WHITE)	PBT CARIC. VETRO (PBT G.F. FILLED)	282525-5
FINITURA / COLORE (FINISH / COLOUR)	MATERIALE (MATERIAL)	NUMERO (PART NUMBER)

CUSTOMER DWG. FOR REFERENCE ONLY      DISEGNO PER CLIENTE SOLO PER RIFERIMENTO

THIS DRAWING IS UNPUBLISHED      RELEASE FOR PUBLICATION      19

© COPYRIGHT 19 BY AMP INCORPORATED, HARRISBURG, PA. ALL INTERNATIONAL RIGHTS RESERVED. AMP PRODUCTS MAY BE COVERED BY U.S. AND FOREIGN PATENT AND/OR PATENT PENDING

TOLLERANZE, SE NON DIVERSAMENTE SPECIFICATO (TOLERANCES, UNLESS OTHERWISE SPECIFIED)      DIAM. ISOLANTE (INS. DIA. RANGE)      RANGO FILO (WIRE RANGE)      SCALA (SCALE)      2:1

± 0.3      ± 2°      **Tyco Electronics** Tyco Electronics AMP Italia S.r.l. Corso F.lli Cervi 15, Collegno (TO)

REV.	REVISIONI (REVISION RECORD)	DIS. (DR)	DATA (DATE)
C1	REVISED PER ECR-09-027838	M.G.	23-12-2009
C	REVISED FOR ET00-0025-04	M.P.	23-2-04
A2	REVISED FOR ET00-0352-97	M.P.	29-7-97
A1	RELEASED WITH ET00-0072-97	M.P.	27-2-97
A	FIRST ISSUE WITH ET00-0273-96	M.P.	7-6-96

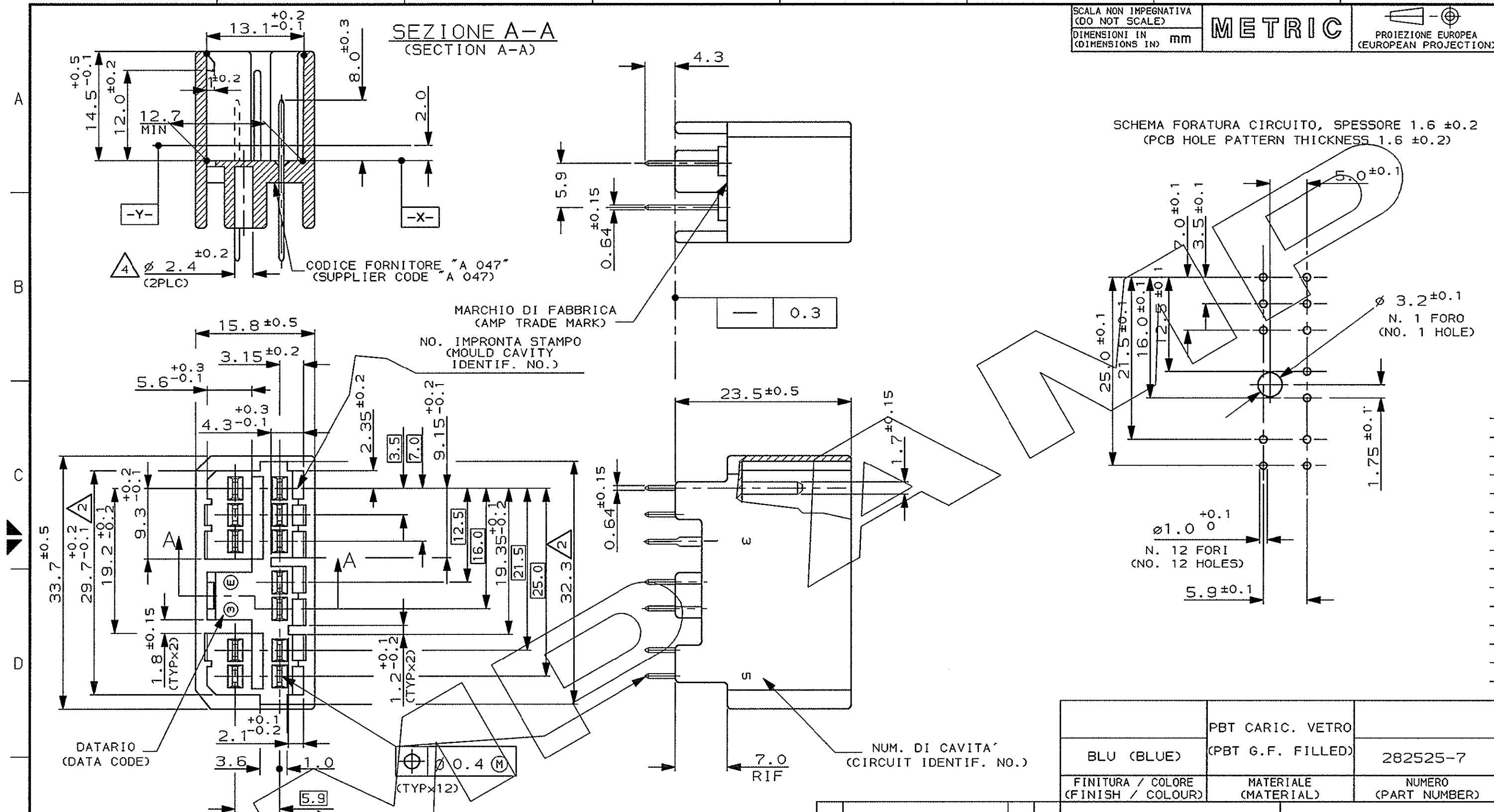
DESCRIZIONE (DESCRIPTION)	LOC.	SIZE	NUMERO (DWG NO)	REV.	FOGLIO (SHEET)
070 Sr. MULTILOCK* Conn. CAP HOUSING ASS'Y 12 POSITION VERTICAL TYPE	I	A3	C-282525	C1	1 OF 4

DISTRIBUZIONE (PRINT DIST.)



**SEZIONE A-A**  
 (SECTION A-A)

SCHEMA FORATURA CIRCUITO, SPESSORE 1.6 ± 0.2  
 (PCB HOLE PATTERN THICKNESS 1.6 ± 0.2)



BLU (BLUE)	PBT CARIC. VETRO (PBT G.F. FILLED)	282525-7
FINITURA / COLORE (FINISH / COLOUR)	MATERIALE (MATERIAL)	NUMERO (PART NUMBER)

CUSTOMER DWG. FOR REFERENCE ONLY  
 DISEGNO PER CLIENTE SOLO PER RIFERIMENTO

THIS DRAWING IS UNPUBLISHED  
 RELEASE FOR PUBLICATION 19  
 © COPYRIGHT 19 BY AMP INCORPORATED, HARRISBURG, PA. ALL INTERNATIONAL RIGHT RESERVED. AMP PRODUCTS MAY BE COVERED BY U.S. AND FOREIGN PATENT AND/OR PATENT PENDING

TOLLERANZE, SE NON DIVERSAMENTE SPECIFICATO (TOLERANCES, UNLESS OTHERWISE SPECIFIED)	DIAM. ISOLANTE (INS. DIA. RANGE)	RANGO FILO (WIRE RANGE)	SCALA (SCALE)
± 0.3			2:1
ANGOLI (ANGLES)	Tyco Electronics Tyco Electronics AMP Italia S.r.l. Corso F.lli Cervi 15, Collegno (TO)		

DIS. (DR.)	DESCRIZIONE (DESCRIPTION)	LOC. (LOC.)	SIZE (SIZE)	NUMERO (DWG NO)	REV. (REV.)	FOGLIO (SHEET)
	070 Sr. MULTILOCK* Conn. CAP HOUSING ASS'Y 12 POSITION VERTICAL TYPE	I	A3	C-282525	C1	3 DI 4 (OF 4)

REV. (REV.)	REVISIONI (REVISION RECORD)	DIS. (DR.)	DATA (DATE)	APP. (APP.)

DATARIO (DATA CODE)

NUM. DI CAVITA' (CIRCUIT IDENTIF. NO.)

1) BLOCCHETTO ADATTO PER CONTROPARTE P/N 282367-3 (12 VIE)  
 (HOUSING SUITABLE FOR PLUG 12 POSITION P/N 282367-3)

2) QUOTE MISURATE TRA I PIANI -X- E -Y-.  
 (DIMENSIONS MUST BE KEPT BETWEEN -X- AND -Y-).

3) TAB IN OTTONE STAGNATO.  
 (TAB BRASS TIN PLATED).

4) FORO PER VITE AUTOFILETTANTE M3, DA APPLICARE PRIMA DELLA STAGNATURA AD ONDA.  
 (HOLE FOR TAPPING SCREW M3, BEFORE SOLDER OPERATION)

DISTRIBUZIONE (PRINT DIST.)

