

CONNETTORE TIPO A (CON MOLLA DI RITEGNO ESTERNA)  
CONNECTOR TYPE A (WITH EXTERNAL SPRING)

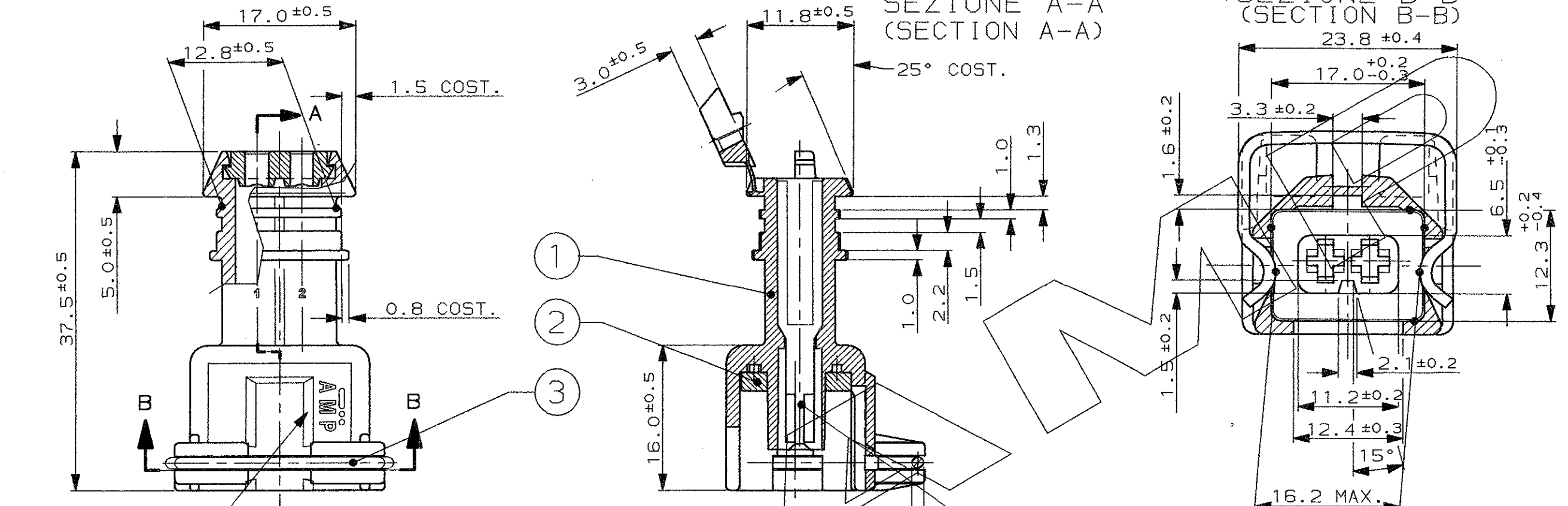
SCALA NON IMPEGNATIVA  
(DO NOT SCALE)  
DIMENSIONI IN mm  
(DIMENSIONS IN)

METRIC

PROIEZIONE EUROPEA  
(EUROPEAN PROJECTION)

SEZIONE A-A  
(SECTION A-A)

SEZIONE B-B  
(SECTION B-B)

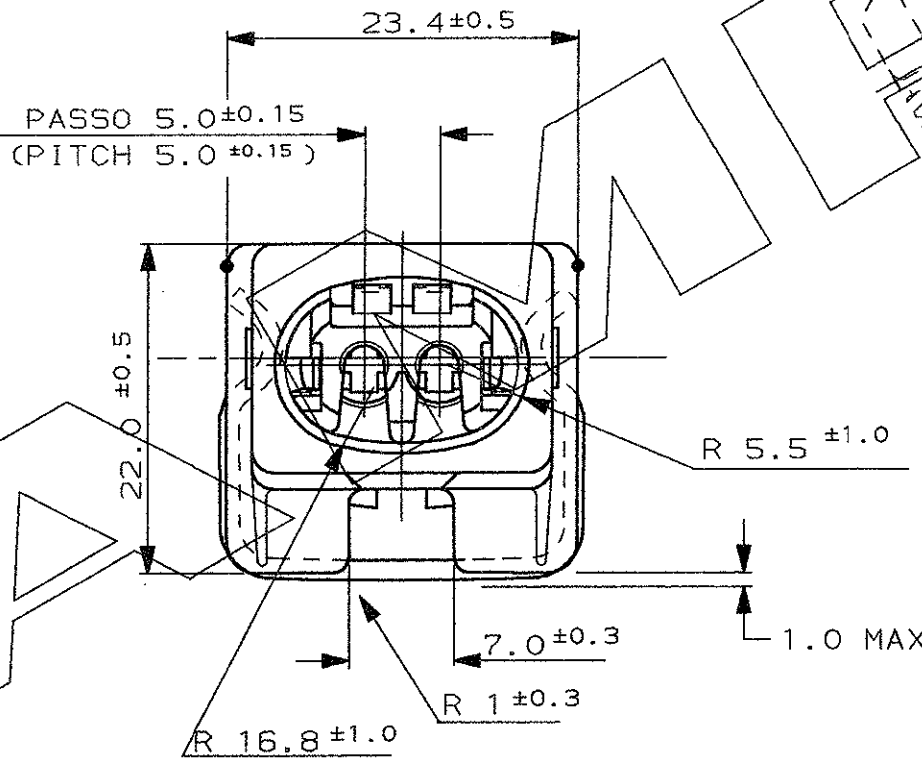


LOGO AMP  
(AMP TRADE MARK)

Ø FILO 1.3  
(WIRE Ø 1.3)  
ASSE CONNETTORE  
(CONNECTOR CENTER LINE)

TIP. CAVITA' PER TERMINALI AMP JPT P/N 929939-...  
OPPURE 929937-... E RELATIVI GOMMINI  
AMP P/N 828904-1, 828904-2, 828905-1, 282536-1.  
TAPPO CAVITA' P/N 828906-2

(TYP. CAV. FOR JPT CONT. P/N 929939-... A/O 929937-... AND REL.  
SINGLE WIRE SEAL P/N 828904-1, 828904-2, 828905-1, 282536-1  
CAVITY PLUG P/N 828906-2)



ASSE CAVITA'  
(CAVITY CENTER LINE)

COLORE (COLOR)	NUMERO (PART N°)	N° (ITEM)	FINITURA / COLORE (FINISH / COLOUR)	MATERIALE (MATERIAL)	DESCRIZIONE (DESCRIPTION)
ROSSO (RED)	282762-8				
MARRONE (BROWN)	282762-6	3	//////	ACCIAIO INOX (STAINLESS STEEL)	MOLLA (SPRING)
BLU (BLUE)	282762-5				
VERDE (GREEN)	<del>282762-4</del>				
NATURALE (CLEAR)	282762-3	2	NATURALE (CLEAR)	GOMMA SILICONE (SILICONE RUBBER)	GUARNIZIONE (SEALING)
GRIGIO (GREY)	282762-2				
NERO (BLACK)	282762-1	1	//////	PA 6.6	BLOCCHETTO (HOUSING)

CUSTOMER DWG. FOR REFERENCE ONLY  
DISEGNO PER CLIENTE SOLO PER RIFERIMENTO

THIS DRAWING IS UNPUBLISHED - RELEASE FOR PUBLICATION 19  
© COPYRIGHT 19 BY AMP INCORPORATED, HARRISBURG, PA. ALL INTERNATIONAL RIGHT RESERVED. AMP PRODUCTS MAY BE COVERED BY U.S. AND FOREIGN PATENT AND/OR PATENT PENDING

TOLLERANZE, SE NON DIVERSAMENTE SPECIFICATO (TOLERANCES, UNLESS OTHERWISE SPECIFIED)	DIAM. ISOLANTE (INS. DIA. RANGE) 1.4-3.0 (RED. INS. CABLE)	RANGO FILO (WIRE RANGE) 0.5-2.5 mm <sup>2</sup>	SCALA (SCALE) ---
--	---	--	----------------------

E2	REVISED PER ECN-24-258764	AP	04APR 2024	± 0.3
E1	REVISED PER ECO-20-003218	AP	08MAY 2020	ANGOLI (ANGLES) ± 2°
E	ECR-14-003472	MP	24MAR 2014	DIS. 24 MAY 96
B1	AGGIORNATO CON ET00-0367-99	M.B.	25-11-1999	CONT. A. BAJ
B	AGGIORNATO E IN PRODUZIONE CON ET00-0075-96	A.B.	12-2-1996	CONT. 24 MAY 96 (CHK)
A	PRIMA EMISSIONE CON ET00-0217-95	A.B.	15-9-1995	CONT. C. TARTARI
REV.	REVISIONI (REVISION RECORD)	DIS. DATA (DR) (DATE)	APP. (APP.)	

**STE** TE Connectivity

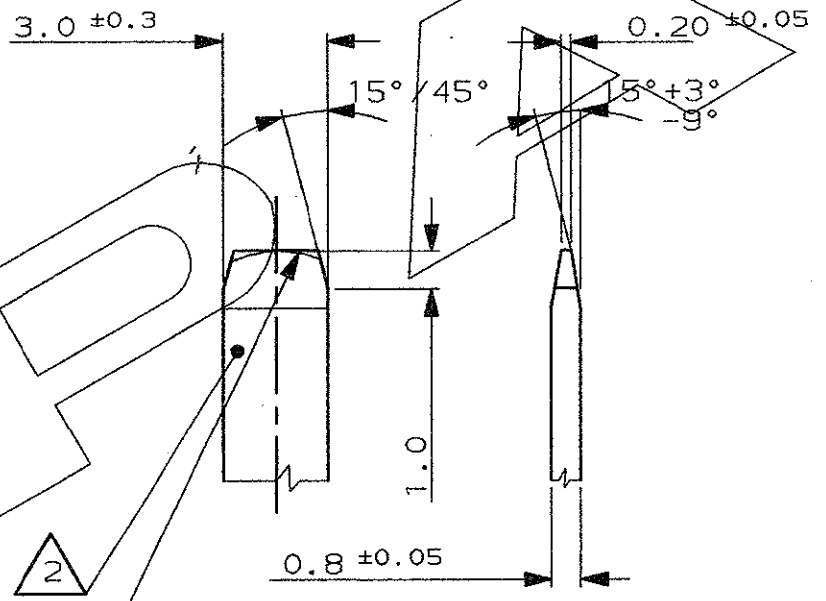
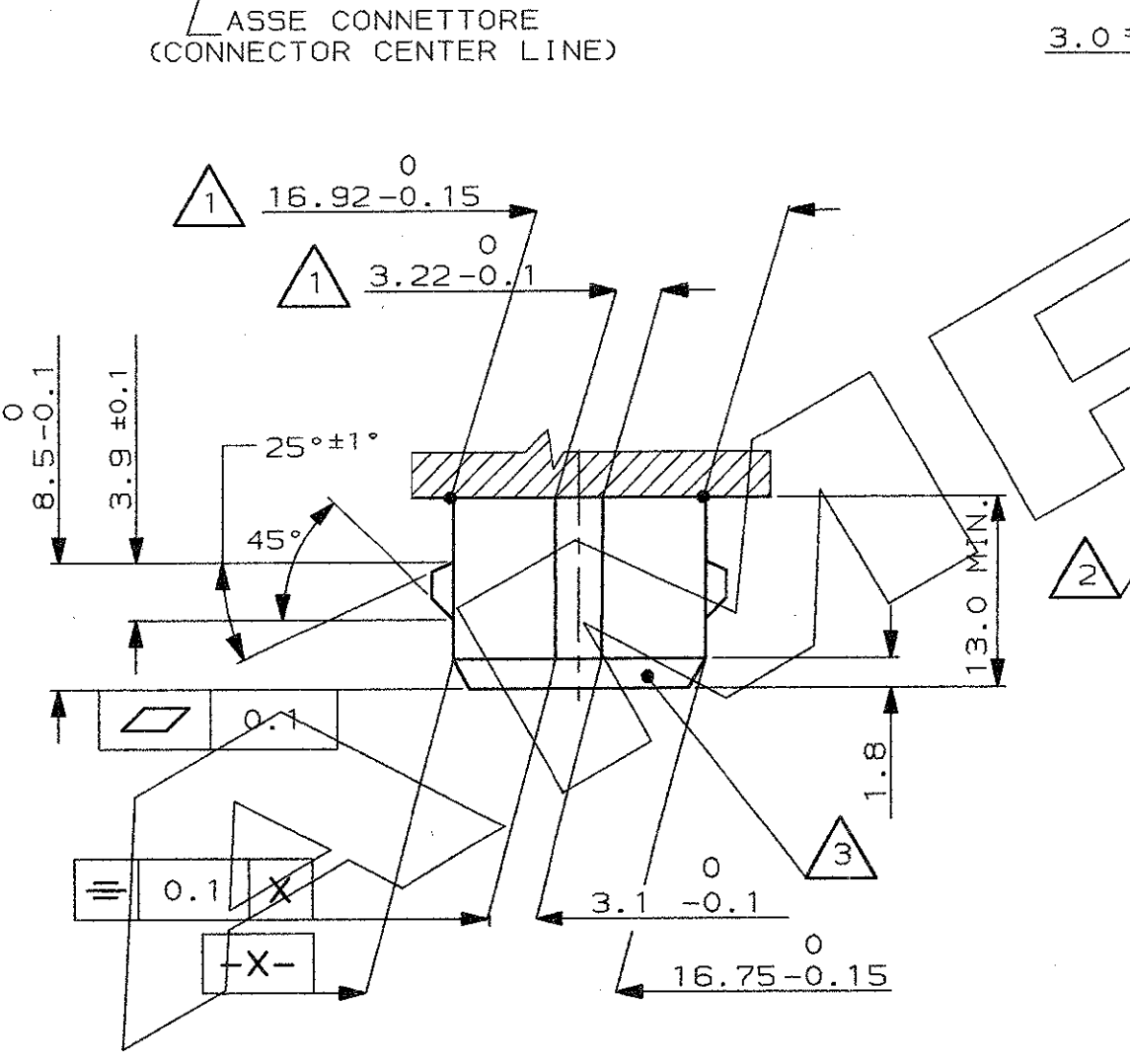
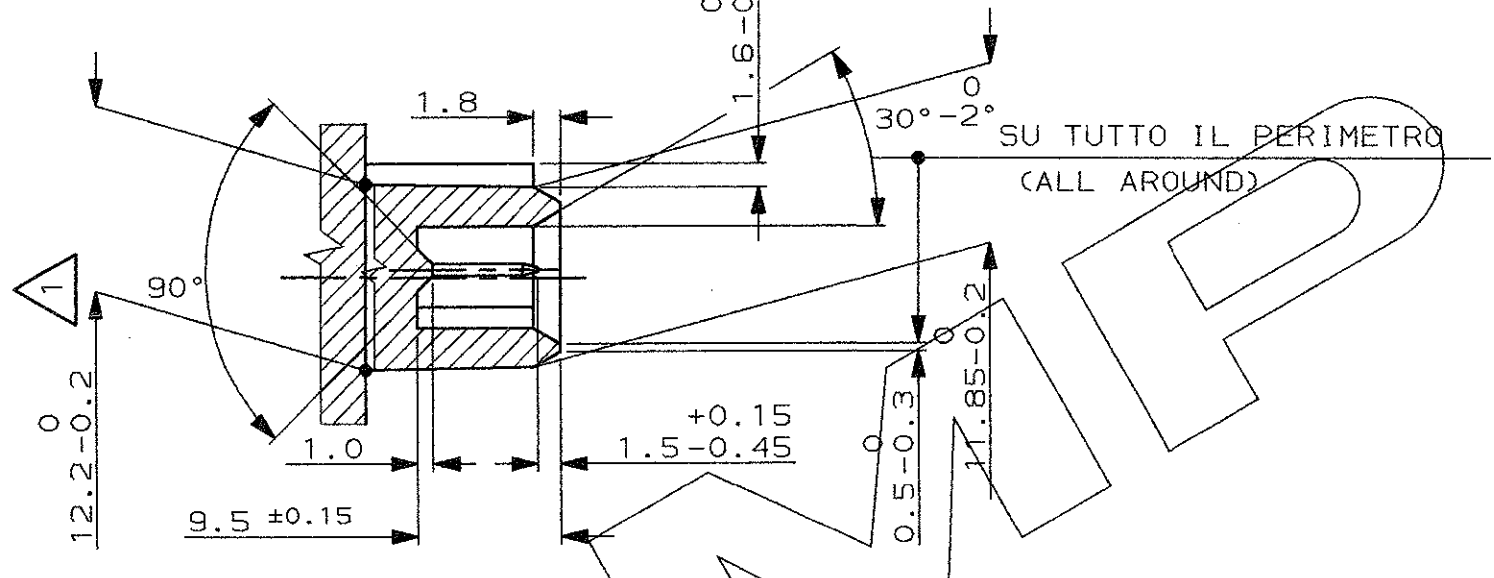
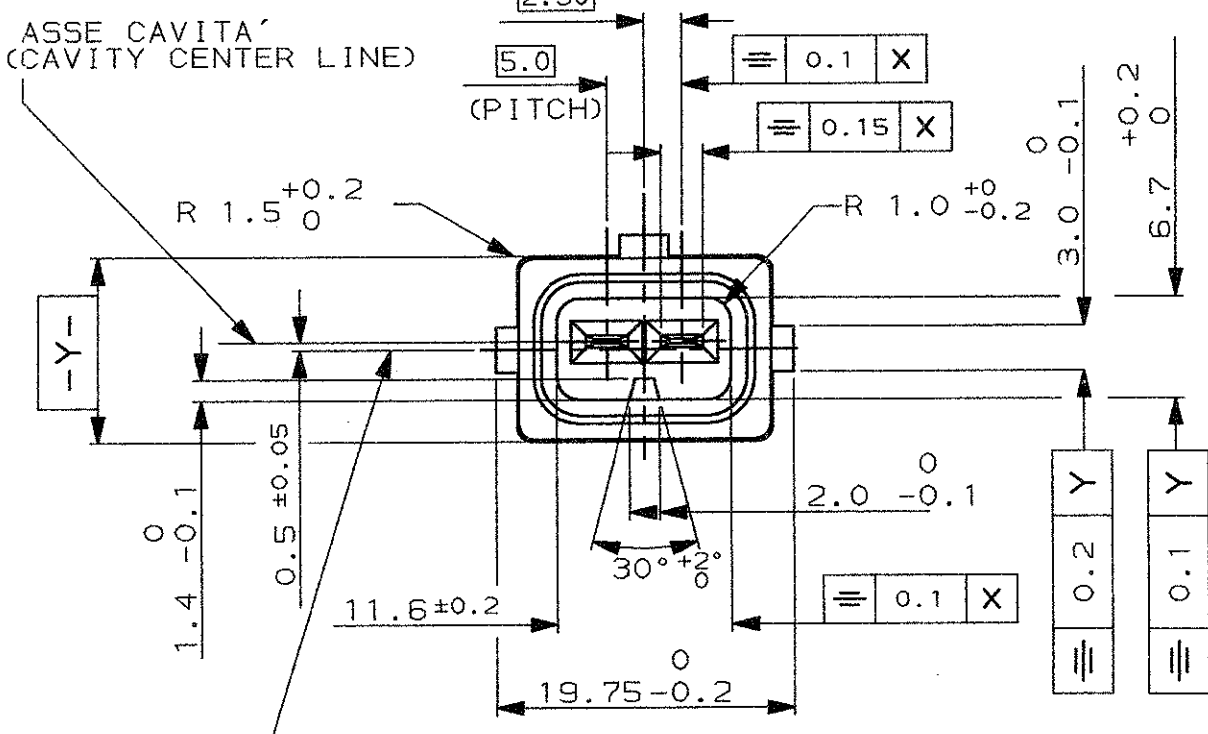
DESCRIZIONE (DESCRIPTION)  
2 POS. SPLASH PROOF CONN. ASS'Y with SECONDARY LOCK

LOC. SIZE NUMERO (DWG NO)  
I A3 C-282762

REV. E2

FOGLIO (SHEET) 1 D1 (OPF) 2

DISTRIBUZIONE (PRINT DIST.)



- 1 QUOTE APPLICABILI PER SFORMATURA PEZZO (DRAFT PERMITTED TO FACILITATE REMOVAL OF PART FROM THE MOULD)
- 2 MATERIALE LINGUETTE: LEGA DI RAME STAGNATA, ES. OTTONE STAGNATO. (TAB CONTACT MATERIAL: TIN PLATED COPPER ALLOY, E.G. BRASS TIN PLATED)
- 3 MATERIALE BLOCCHETTO: TERMOPLASTICO CARICATO FIBRA VETRO. (HOUSING MATERIAL: THERMOPLASTIC, GLASS FIBER FILLED)

FINITURA / COLORE (FINISH / COLOUR)		MATERIALE (MATERIAL)		NUMERO (PART NUMBER)	
CUSTOMER DWG. FOR REFERENCE ONLY		DISEGNO PER CLIENTE SOLO PER RIFERIMENTO		19	
THIS DRAWING IS UNPUBLISHED		RELEASE FOR PUBLICATION		19	
© COPYRIGHT 19 BY AMP INCORPORATED, HARRISBURG, PA. ALL INTERNATIONAL RIGHT RESERVED. AMP PRODUCTS MAY BE COVERED BY U.S. AND FOREIGN PATENT AND/OR PATENT PENDING					
TOLLERANZE: SE NON DIVERSAMENTE SPECIFICATO (TOLERANCES, UNLESS OTHERWISE SPECIFIED)		DIAM. ISOLANTE (INS. DIA. RANGE)		RANGO FILO (WIRE RANGE)	
± 0.3		---		---	
ANGOLI (ANGLES)		---		---	
± 2°		---		---	
DIS. (DR.)		DESCRIZIONE (DESCRIPTION)			
CONT. (CHK)		2 POS. SPLASH PROOF CONN. ASS'Y with SECONDARY LOCK			
SEE SHEET 1 OF 2		LOC. SIZE (DWG NO)		REV. FOGLIO (SHEET)	
I A3		C-282762		E2 2 DI (OF) 2	
REV. (REV. LTR.)	REVISIONI (REVISION RECORD)	DIS. (DR)	DATA (DATE)	APP. (APP. LTR.)	---

DISTRIBUZIONE (PRINT/DIST.)