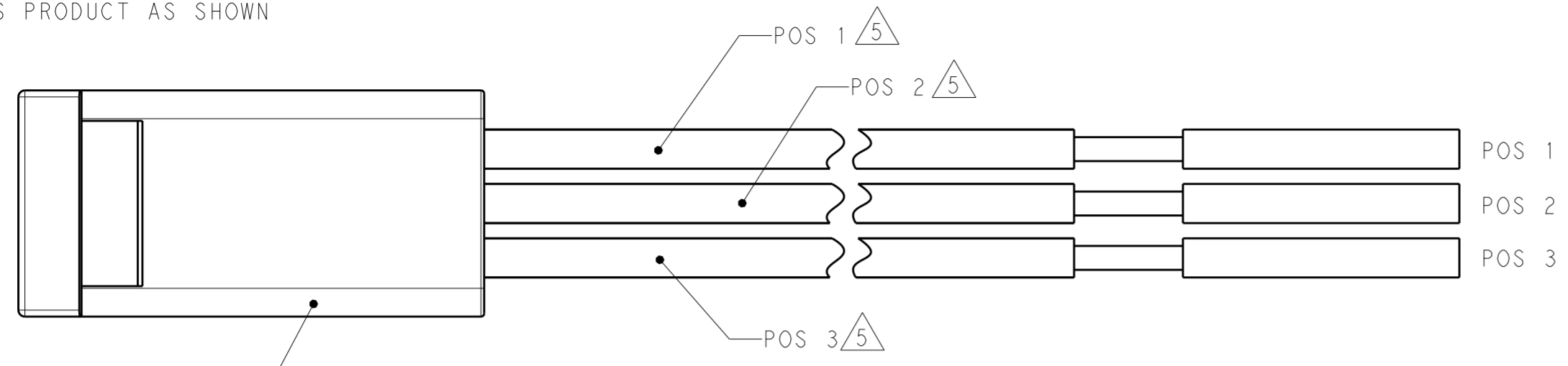


THIS DRAWING IS UNPUBLISHED. RELEASED FOR PUBLICATION 20
 © COPYRIGHT 20 BY - ALL RIGHTS RESERVED.

REVISIONS					
P	LTR	DESCRIPTION	DATE	DWN	APVD
A		PRELIMINARY RELEASE	18JAN2016	W.Z	X.X
B		ECR-17-017177	22NOV2017	W.Z	S.M

3 POS PRODUCT AS SHOWN

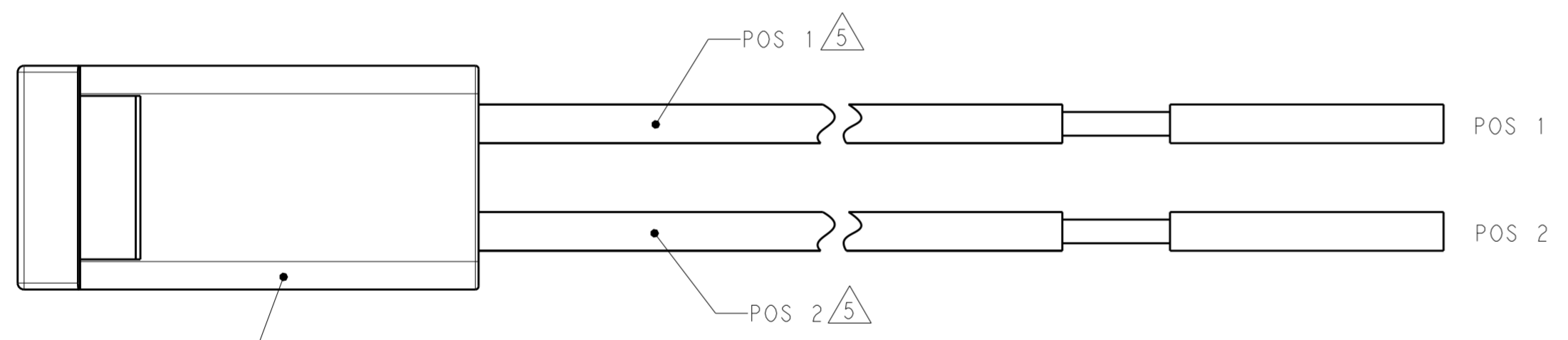


REC ASSEMBLY
(DRAWING NO: 2834075)

CONTACT
(DRAWING NO: 2834068)

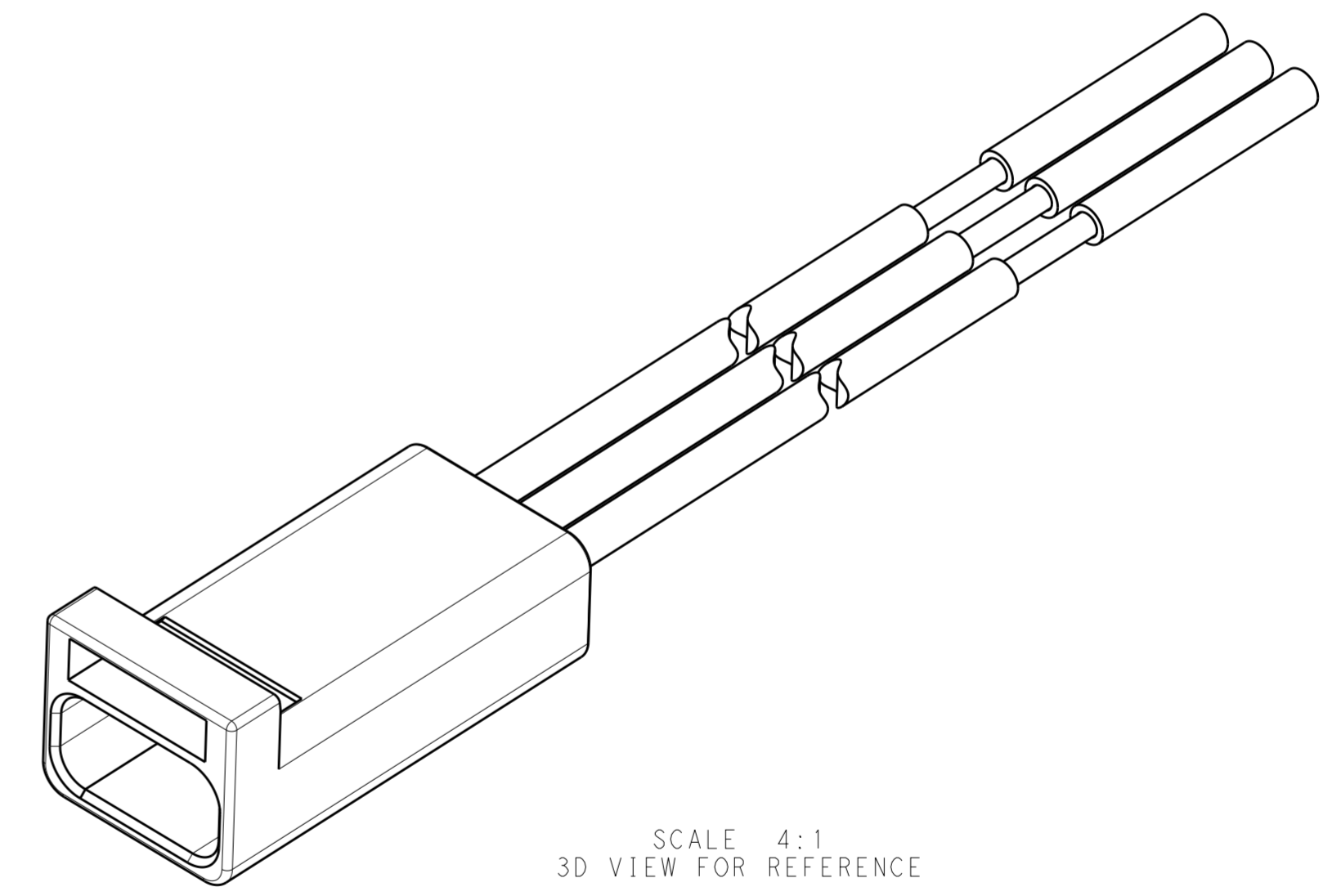
- 1 MATERIAL:
CONTACT: COPPER ALLOY.
HOUSING: THERMOPLASTIC, UL94-V0.
- 2 FINISH:
GOLD FLASH PLATING ON CONTACT MATING AREA. TIN PLATING ON CRIMP AREA AND ALL NICKLE UNDERPLATED.
- 3 FINISH:
ALL TIN PLATING OVER NICKLE UNDERPLATING.
- 4 WIRE SPEC: 18AWG, 41 STRAND, UL 1061 STYLE.
20AWG, 26 STRAND, UL 1007 STYLE.
22AWG, 17 STRAND, UL 1007 STYLE.
- 5 WIRE COLOR DEFINITION (SEE NEXT PAGE WIRE COLOR CHART).
- 6 PART NUMBER LIST: SEE TABLE ON NEXT PAGE.
- 7 WIRE SPEC: 22AWG, UL WET RATED WIRE, CHAMPLAIN 3680.
- 8. PACKAGING SPECIFICATION: 107-137327.

2 POS PRODUCT AS SHOWN



REC ASSEMBLY
(DRAWING NO: 2834075)

CONTACT
(DRAWING NO: 2834068)

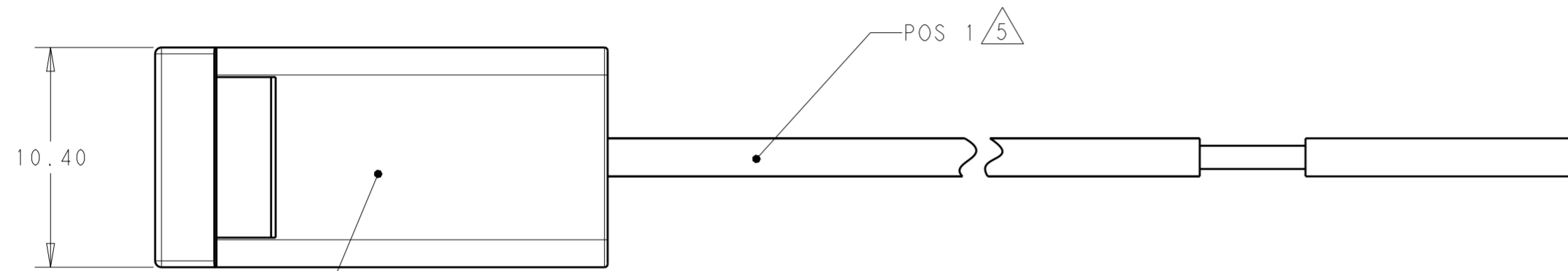


THIS DRAWING IS A CONTROLLED DOCUMENT.		DWN ZHANG WEI 22NOV2017	TE Connectivity		
DIMENSIONS: mm		CHK FU XIAOZHI 22NOV2017			
TOLERANCES UNLESS OTHERWISE SPECIFIED:		APVD SHI MING 22NOV2017	NAME REC CABLE ASSEMBLY MINIATURE WATERPROOF CONNECTOR		
0 PLC ±0.5		PRODUCT SPEC 108-137093	SIZE A2		
1 PLC ±0.5		APPLICATION SPEC 114-137093	CAGE CODE -		
2 PLC ±0.5		WEIGHT -	DRAWING NO C-2834183		
3 PLC ±0.5		CUSTOMER DRAWING	RESTRICTED TO -		
4 PLC ±0.5			SCALE 1:1 SHEET 1 OF 3 REV B		
ANGLES ±					
FINISH					

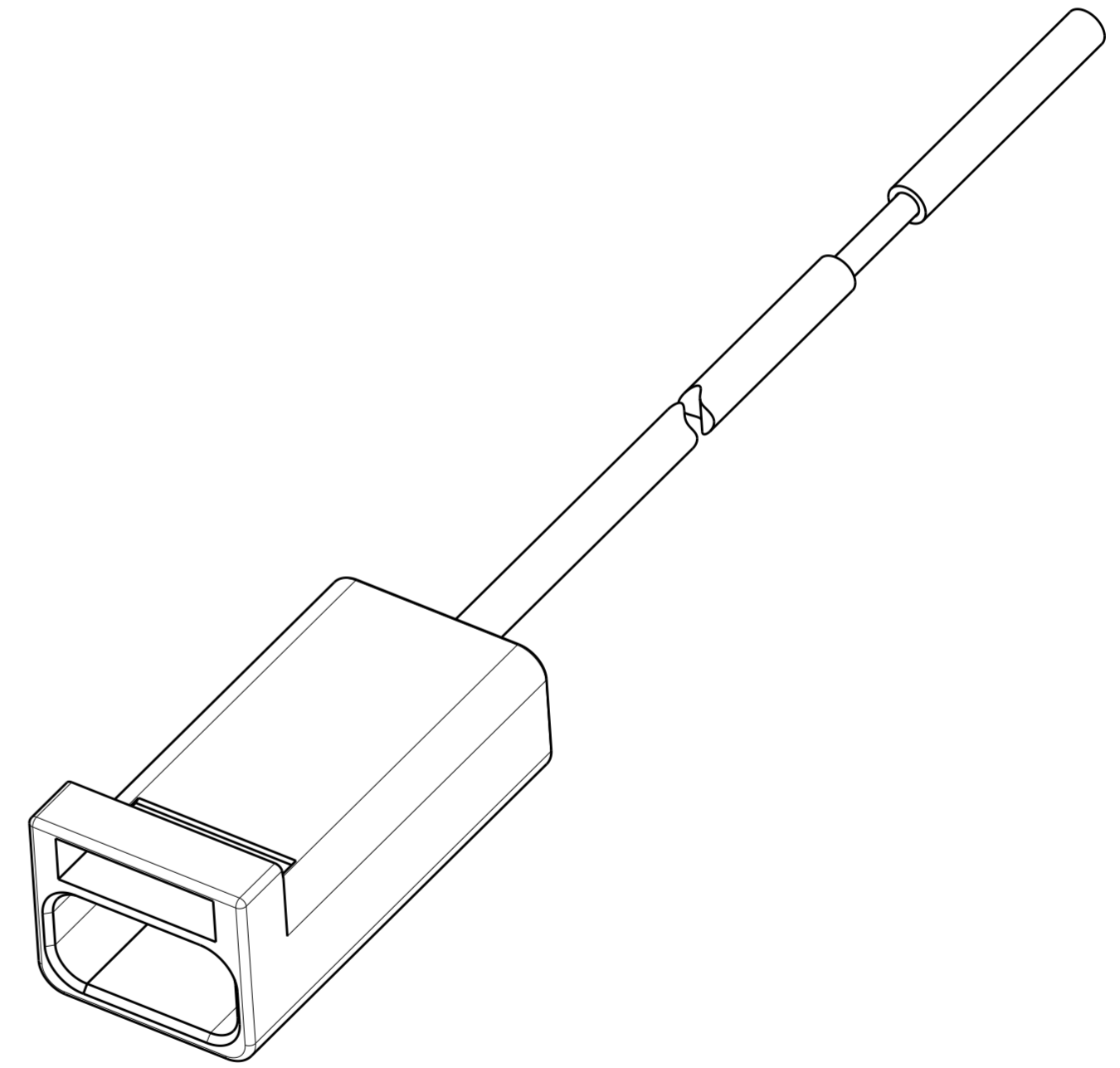
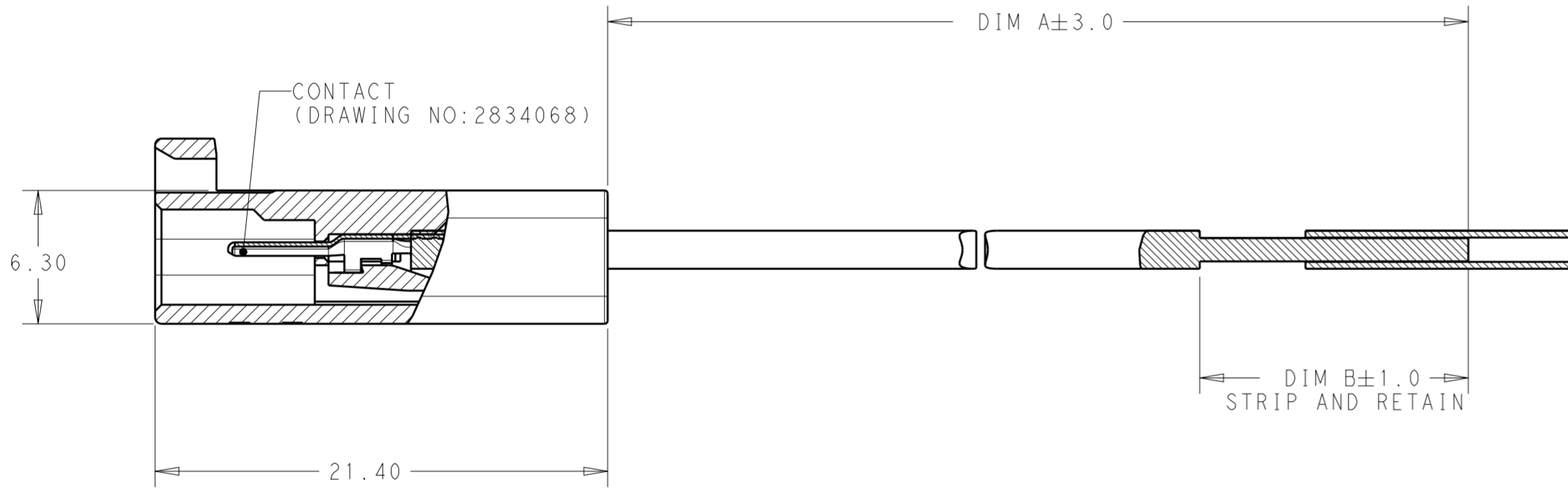
THIS DRAWING IS UNPUBLISHED. RELEASED FOR PUBLICATION 20
 © COPYRIGHT 20 BY - ALL RIGHTS RESERVED.

REVISIONS				
P	LTR	DESCRIPTION	DATE	APVD
		SEE SHEET 1		

1 POS PRODUCT AS SHOWN



REC ASSEMBLY
(DRAWING NO: 2834075)



SCALE 4:1
3D VIEW FOR REFERENCE

THIS DRAWING IS A CONTROLLED DOCUMENT.		DWN ZHANG WEI 22NOV2017	TE Connectivity	
DIMENSIONS: mm		CHK FU XIAOZHI 22NOV2017		
TOLERANCES UNLESS OTHERWISE SPECIFIED:		APVD SHI MING 22NOV2017		
0 PLC ±0.5 1 PLC ±0.5 2 PLC ±0.5 3 PLC ±0.5 4 PLC ±0.5 ANGLES ± FINISH 2		PRODUCT SPEC 108-137093 APPLICATION SPEC 114-137093 WEIGHT -		
MATERIAL 1			NAME REC CABLE ASSEMBLY MINIATURE WATERPROOF CONNECTOR	RESTRICTED TO -
			SIZE A2	CAGE CODE -
			DRAWING NO C-2834183	
CUSTOMER DRAWING			SCALE 1:1	SHEET 2 OF 3
			REV B	

THIS DRAWING IS UNPUBLISHED. RELEASED FOR PUBLICATION 20
 © COPYRIGHT 20 BY - ALL RIGHTS RESERVED.

REVISIONS				
P	LTR	DESCRIPTION	DATE	APVD
		SEE SHEET 1		

△ PART NUMBER LIST:

FINISH	DIM B	DIM A	WIRE SPEC	WIRE RANGE	HSG COLOR	POS NO	PART NO
△3	12.7	203.2	△4	18 AWG	WHITE	1	7-2834183-2
△3	9.5	1041.4	△7	22 AWG	BLACK	2	6-2834183-5
△3	9.5	889	△7	22 AWG	BLACK	2	6-2834183-4
△3	9.5	736.6	△7	22 AWG	BLACK	2	6-2834183-3
△3	9.5	609.6	△7	22 AWG	BLACK	2	6-2834183-2
△3	9.5	457.2	△7	22 AWG	BLACK	2	6-2834183-1
△3	12.7	300	△4	22 AWG	WHITE	2	5-2834183-6
△3	12.7	200	△4	22 AWG	WHITE	2	5-2834183-5
△3	12.7	100	△4	22 AWG	WHITE	2	5-2834183-4
△3	12.7	300	△4	22 AWG	WHITE	3	5-2834183-3
△3	12.7	200	△4	22 AWG	WHITE	3	5-2834183-2
△3	12.7	100	△4	22 AWG	WHITE	3	5-2834183-1
△2	12.7	300	△4	22 AWG	WHITE	2	4-2834183-6
△2	12.7	200	△4	22 AWG	WHITE	2	4-2834183-5
△2	12.7	100	△4	22 AWG	WHITE	2	4-2834183-4
△2	12.7	300	△4	22 AWG	WHITE	3	4-2834183-3
△2	12.7	200	△4	22 AWG	WHITE	3	4-2834183-2
△2	12.7	100	△4	22 AWG	WHITE	3	4-2834183-1
△3	12.7	76.2	△4	20 AWG	WHITE	2	3-2834183-7
△3	12.7	300	△4	20 AWG	WHITE	2	3-2834183-6
△3	12.7	200	△4	20 AWG	WHITE	2	3-2834183-5
△3	12.7	100	△4	20 AWG	WHITE	2	3-2834183-4
△3	12.7	300	△4	20 AWG	WHITE	3	3-2834183-3
△3	12.7	200	△4	20 AWG	WHITE	3	3-2834183-2
△3	12.7	100	△4	20 AWG	WHITE	3	3-2834183-1
△2	12.7	76.2	△4	20 AWG	WHITE	2	2-2834183-7
△2	12.7	300	△4	20 AWG	WHITE	2	2-2834183-6
△2	12.7	200	△4	20 AWG	WHITE	2	2-2834183-5
△2	12.7	100	△4	20 AWG	WHITE	2	2-2834183-4
△2	12.7	300	△4	20 AWG	WHITE	3	2-2834183-3
△2	12.7	200	△4	20 AWG	WHITE	3	2-2834183-2
△2	12.7	100	△4	20 AWG	WHITE	3	2-2834183-1
△3	12.7	300	△4	18 AWG	WHITE	2	1-2834183-6
△3	12.7	200	△4	18 AWG	WHITE	2	1-2834183-5
△3	12.7	100	△4	18 AWG	WHITE	2	1-2834183-4
△3	12.7	300	△4	18 AWG	WHITE	3	1-2834183-3
△3	12.7	200	△4	18 AWG	WHITE	3	1-2834183-2
△3	12.7	100	△4	18 AWG	WHITE	3	1-2834183-1
△2	12.7	300	△4	18 AWG	WHITE	2	2834183-6
△2	12.7	200	△4	18 AWG	WHITE	2	2834183-5
△2	12.7	100	△4	18 AWG	WHITE	2	2834183-4
△2	12.7	300	△4	18 AWG	WHITE	3	2834183-3
△2	12.7	200	△4	18 AWG	WHITE	3	2834183-2
△2	12.7	100	△4	18 AWG	WHITE	3	2834183-1


△ WIRE COLOR CHART

3	WHITE	WHITE	WHITE	-	-	-	WHITE	WHITE	WHITE	-	-	-
2	RED	RED	RED	BLACK	BLACK	BLACK	RED	RED	RED	BLACK	BLACK	BLACK
1	BLACK	BLACK	BLACK	RED	RED	RED	BLACK	BLACK	BLACK	RED	RED	RED
POS	*-1	*-2	*-3	*-4	*-5	*-6	1*-1	1*-2	1*-3	1*-4	1*-5	1*-6

3	WHITE	WHITE	WHITE	-	-	-	-	WHITE	WHITE	WHITE	-	-	-	-
2	RED	RED	RED	BLACK	BLACK	BLACK	RED	RED	RED	BLACK	BLACK	BLACK	RED	RED
1	BLACK	BLACK	BLACK	RED	RED	RED	BLUE	BLACK	BLACK	BLACK	RED	RED	RED	BLUE
POS	2*-1	2*-2	2*-3	2*-4	2*-5	2*-6	2*-7	3*-1	3*-2	3*-3	3*-4	3*-5	3*-6	3*-7

3	WHITE	WHITE	WHITE	-	-	-	WHITE	WHITE	WHITE	-	-	-
2	RED	RED	RED	BLACK	BLACK	BLACK	RED	RED	RED	BLACK	BLACK	BLACK
1	BLACK	BLACK	BLACK	RED	RED	RED	BLACK	BLACK	BLACK	RED	RED	RED
POS	4*-1	4*-2	4*-3	4*-4	4*-5	4*-6	5*-1	5*-2	5*-3	5*-4	5*-5	5*-6

3	-	-	-	-	-	-
2	BLACK	BLACK	BLACK	BLACK	BLACK	-
1	RED	RED	RED	RED	RED	WHITE
POS	6*-1	6*-2	6*-3	6*-4	6*-5	7*-2

THIS DRAWING IS A CONTROLLED DOCUMENT.		DWN ZHANG WEI 22NOV2017	 TE Connectivity	
DIMENSIONS: mm		CHK FU XIAOZH 22NOV2017		
TOLERANCES UNLESS OTHERWISE SPECIFIED:		APVD SHI MING 22NOV2017	NAME REC CABLE ASSEMBLY MINIATURE WATERPROOF CONNECTOR	
0 PLC ±0.5 1 PLC ±0.5 2 PLC ±0.5 3 PLC ±0.5 4 PLC ±0.5 ANGLES ± FINISH		PRODUCT SPEC -	RESTRICTED TO -	
MATERIAL		APPLICATION SPEC -	SIZE A2	CAGE CODE -
		WEIGHT -	DRAWING NO C-2834183	
		CUSTOMER DRAWING	SCALE 1:1	SHEET 3 OF 3
			REV B	