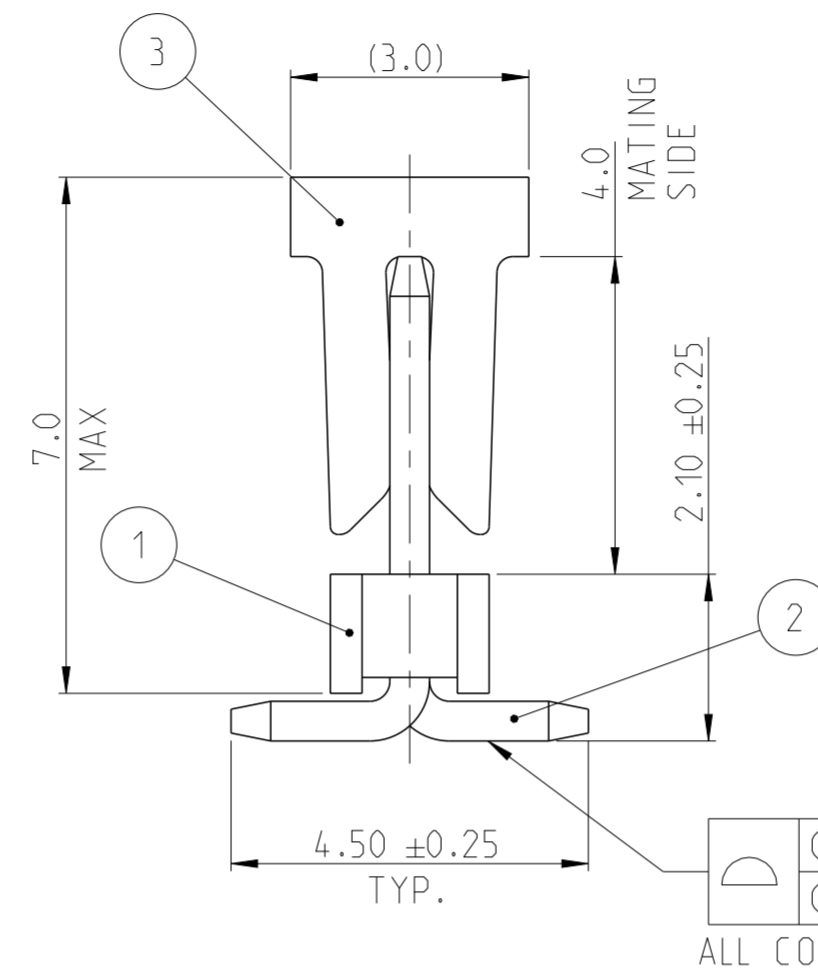
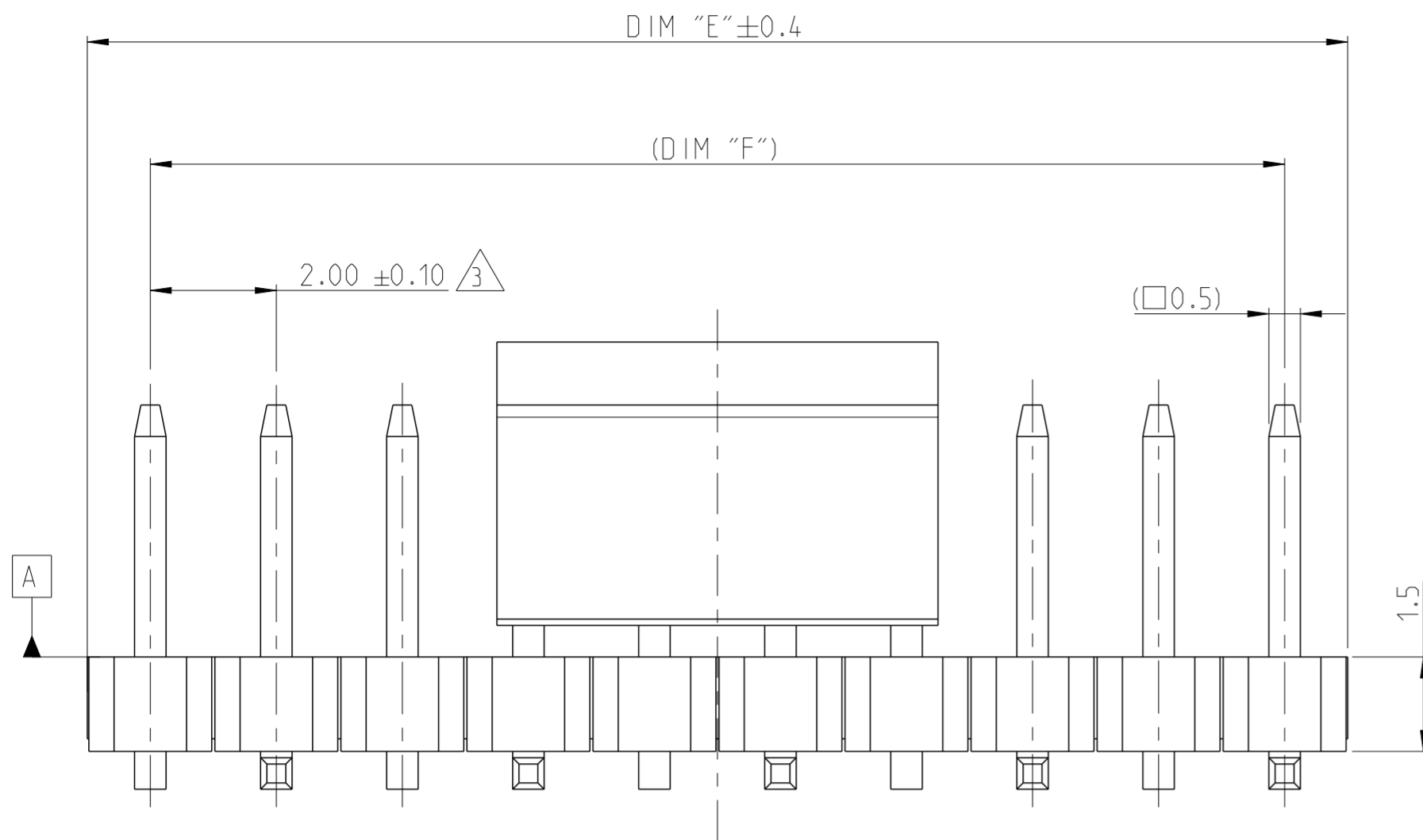
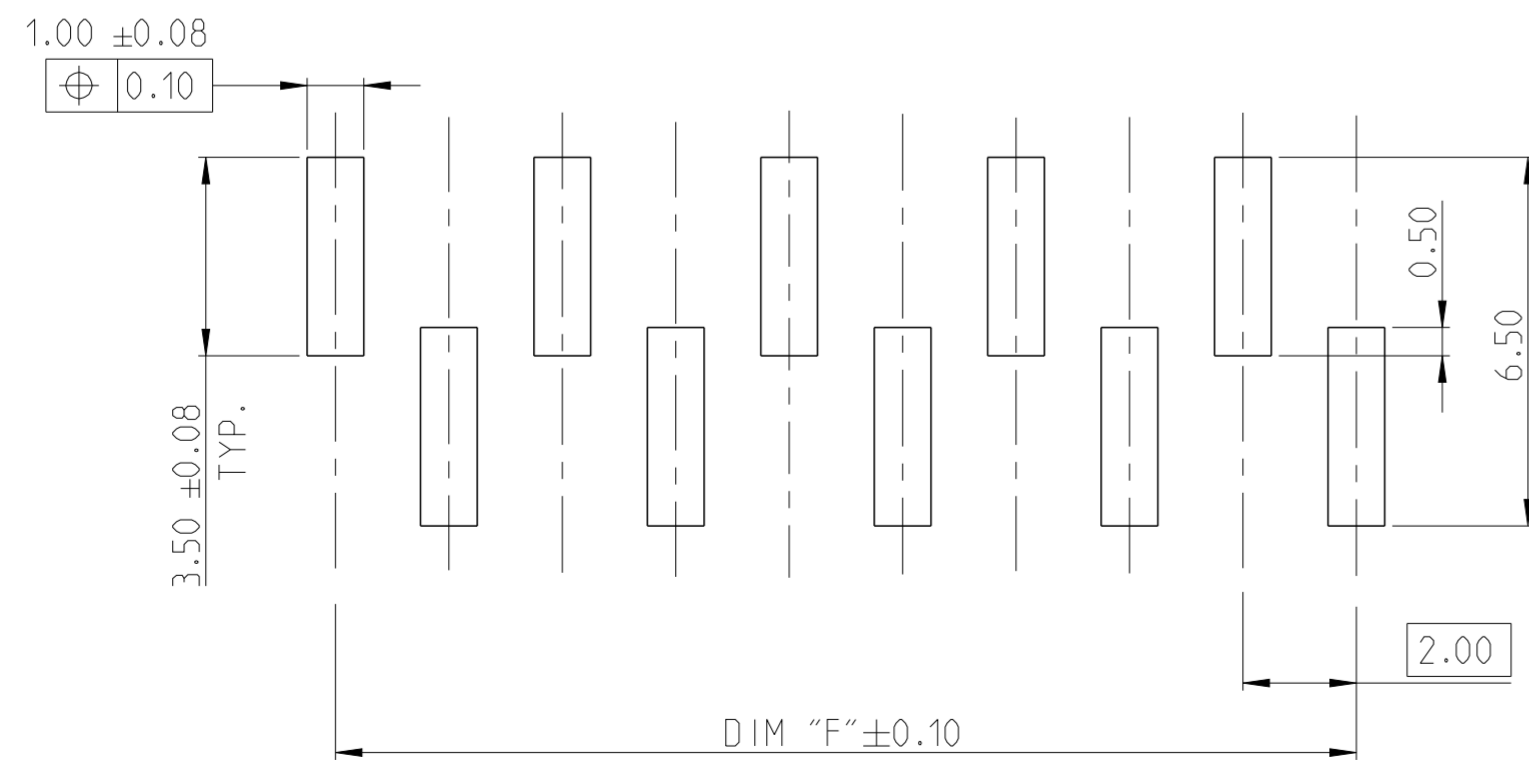
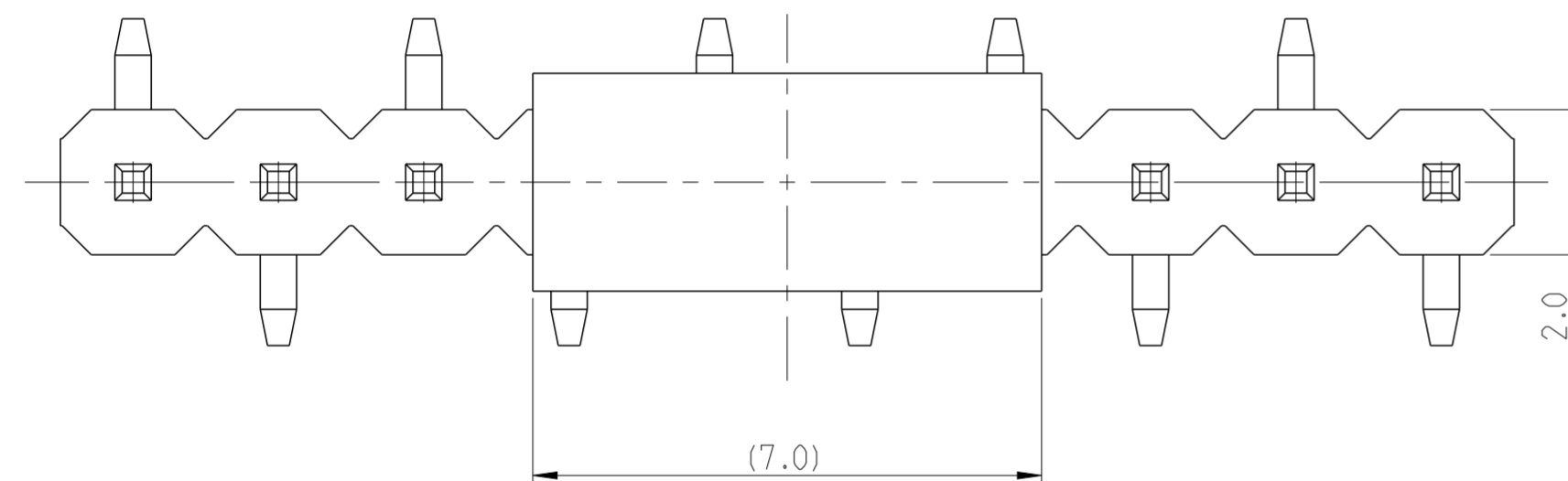


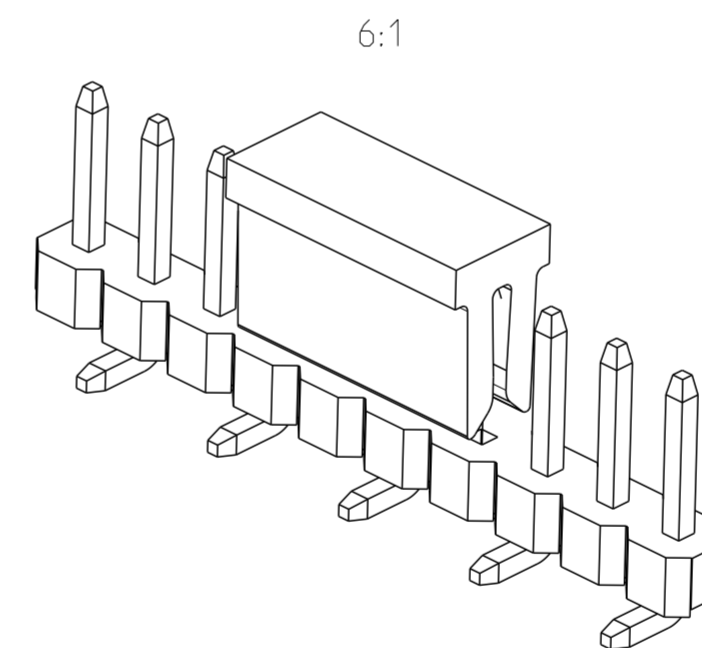
REVISIONS				
P	LTR	DESCRIPTION	DATE	APVD
A		RELEASE TO PRODUCTION	27AUG2019	AY PS
B		CHANGED P AND P CAP LENGTH FROM 6.5 TO 7.0	16DEC2019	AY PS
B1		PARTS OBSOLESCENCE	22JUN2023	BGC PS



- NOTES:
- MATERIAL  
HOUSING & P&P CAP : HIGH TEMPERATURE THERMOPLASTIC, UL94-V0;  
COLOR- BLACK  
CONTACT PIN : COPPER ALLOY  
FINISH :  
MATING SIDE: MIN. 0.1 μm GOLD OVER NICKEL UNDER PLATING.  
SOLDER SIDE: MIN. 2.0 μm BRIGHT TIN OVER NICKEL UNDER PLATING.
  - PACKAGING: TAPE AND REEL (WITH PICK AND PLACE CAP).
  - TOLERANCE NOT CUMULATIVE.
  - CUTTING BURR MAX. 0.25 mm.



RECOMMENDED PCB PATTERN



1-2842102-0 AS SHOWN

PICK AND PLACE CAP	3
CONTACT PIN	2
HOUSING	1
DESCRIPTION	ITEM NO.

THIS DRAWING IS A CONTROLLED DOCUMENT.

DIMENSIONS:	TOLERANCES UNLESS OTHERWISE SPECIFIED:
mm	
0 PLC	±
1 PLC	±0.2
2 PLC	±0.15
3 PLC	±
4 PLC	±
ANGLES	±2°
FINISH	
SEE NOTES	SEE NOTES

DWN	08AUG2019
CHK	13AUG2019
APVD	14AUG2019
PRODUCT SPEC	108-64040
APPLICATION SPEC	114-32259
WEIGHT	-
CUSTOMER DRAWING	

		TE Connectivity	
NAME: AMPMODU 2mm BREAKAWAY HEADER, SINGLE ROW, VERTICAL SMD, 0.1 Au.T/R, PICK AND PLACE CAP			
SIZE	CAGE CODE	DRAWING NO	RESTRICTED TO
A2	00779	C-2842102	-
SCALE		SHEET	REV
5:1		1 OF 1	B1

OBSOLETE	48.0	50.0	25	2-2842102-5
	46.0	48.0	24	2-2842102-4
	44.0	46.0	23	2-2842102-3
	42.0	44.0	22	2-2842102-2
	40.0	42.0	21	2-2842102-1
	38.0	40.0	20	2-2842102-0
	36.0	38.0	19	1-2842102-9
	34.0	36.0	18	1-2842102-8
	32.0	34.0	17	1-2842102-7
	30.0	32.0	16	1-2842102-6
	28.0	30.0	15	1-2842102-5
	26.0	28.0	14	1-2842102-4
	24.0	26.0	13	1-2842102-3
	22.0	24.0	12	1-2842102-2
	20.0	22.0	11	1-2842102-1
	18.0	20.0	10	1-2842102-0
	OBSOLETE	16.0	18.0	9
OBSOLETE	14.0	16.0	8	2842102-8
OBSOLETE	12.0	14.0	7	2842102-7
	10.0	12.0	6	2842102-6
	8.0	10.0	5	2842102-5
	6.0	8.0	4	2842102-4
	4.0	6.0	3	2842102-3
	2.0	4.0	2	2842102-2
	DIM "F"	DIM "E"	POS	TE PN