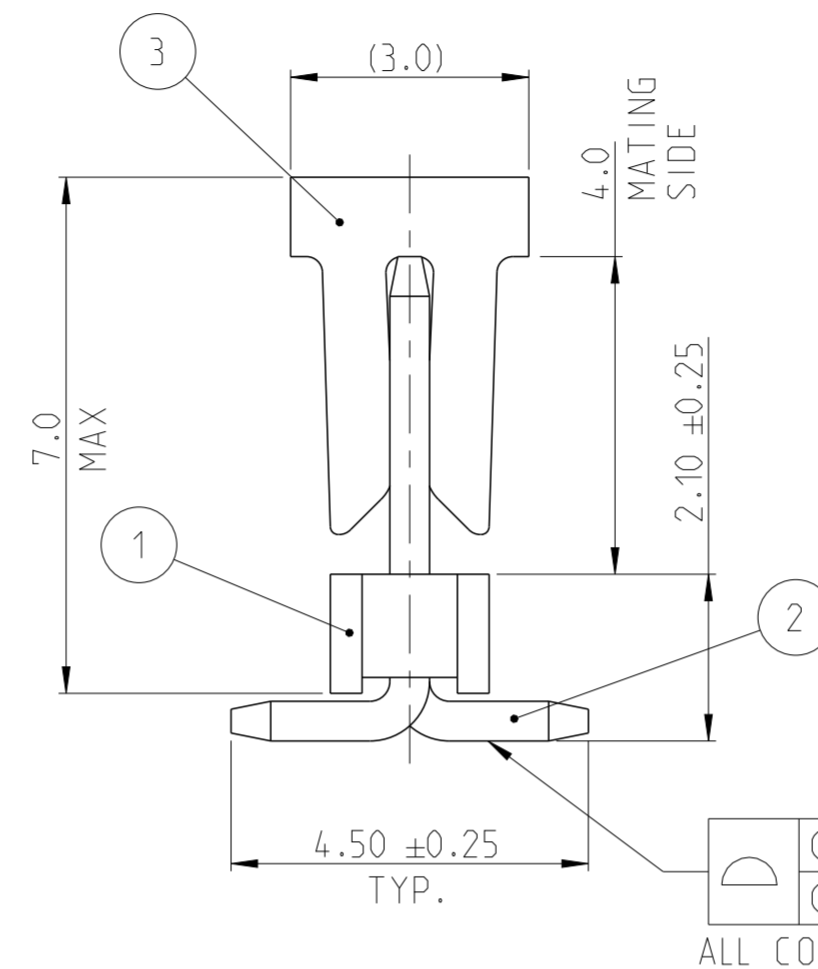
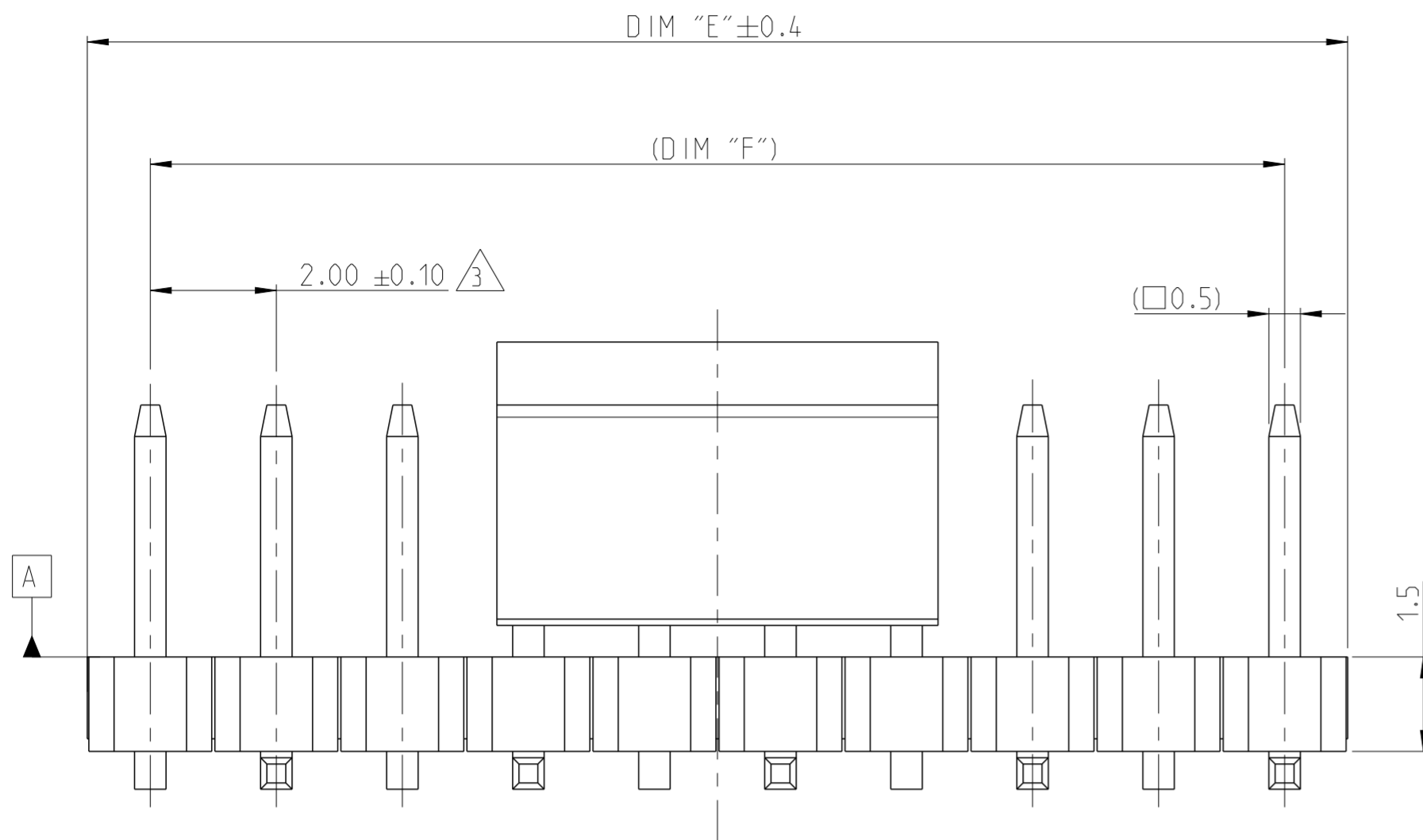


REVISIONS					
P	LTR	DESCRIPTION	DATE	DWN	APVD
A		RELEASE TO PRODUCTION	27AUG2019	AY	PS
B		CHANGED P AND P CAP LENGTH FROM 6.5 TO 7.0	16DEC2019	AY	PS
B1		PARTS OBSOLESCENCE	22JUN2023	BGC	PS

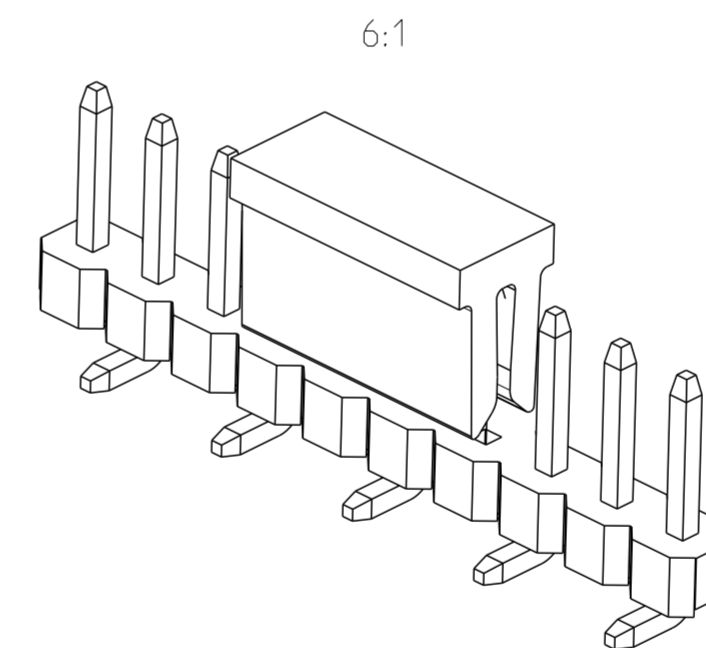
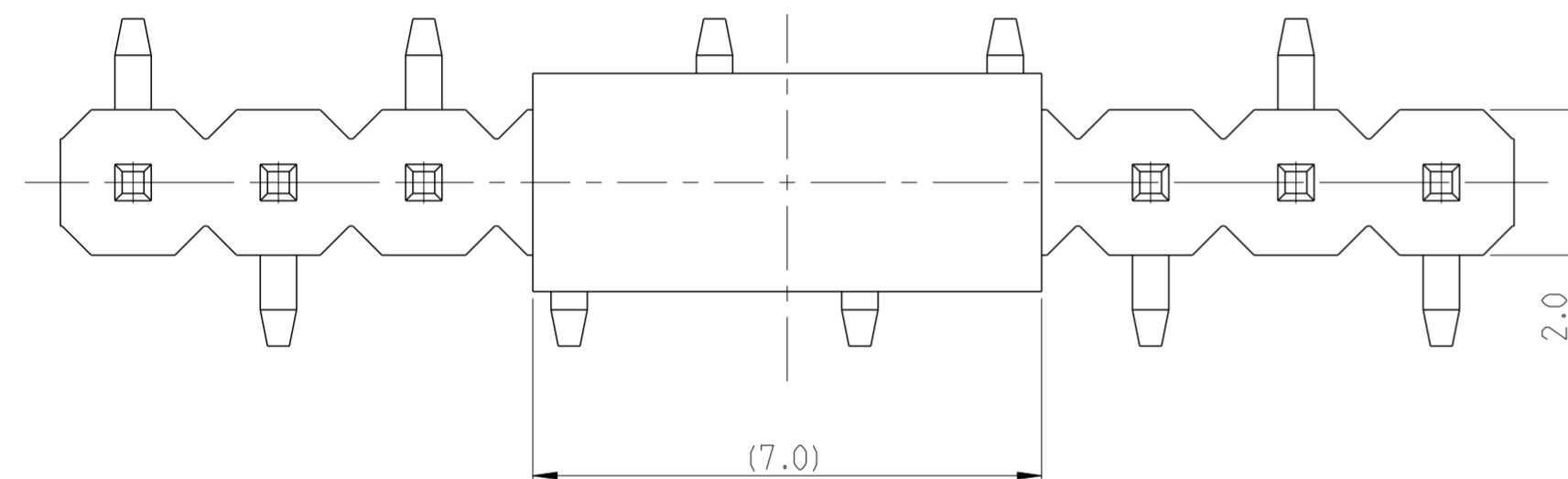


NOTES:

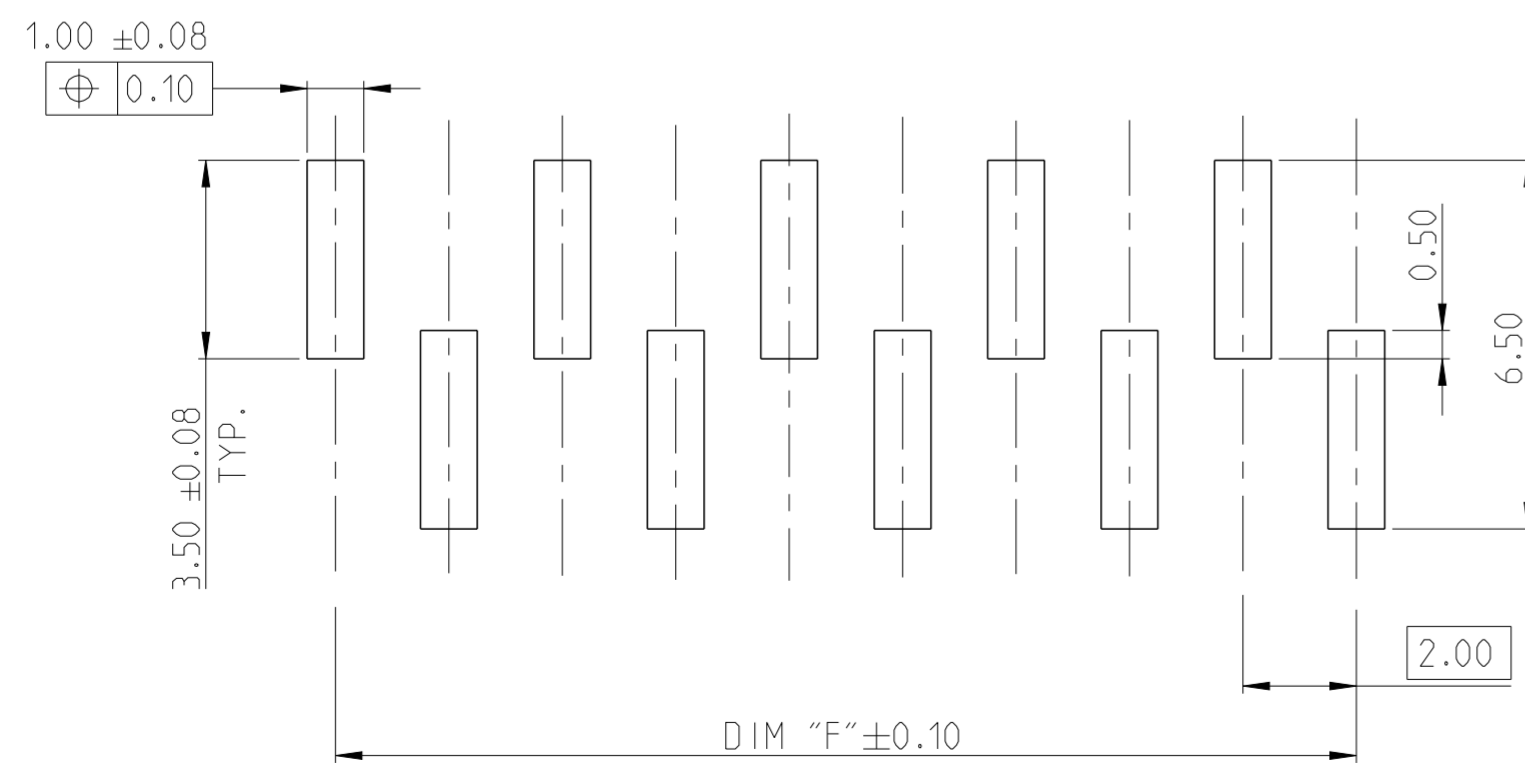
- MATERIAL
HOUSING & P&P CAP : HIGH TEMPERATURE THERMOPLASTIC, UL94-V0;
COLOR- BLACK
CONTACT PIN : COPPER ALLOY
FINISH :
MATING SIDE: MIN. 0.38 μm GOLD OVER NICKEL UNDER PLATING.
SOLDER SIDE: MIN. 2.0 μm BRIGHT TIN OVER NICKEL UNDER PLATING.
- PACKAGING: TAPE AND REEL (WITH PICK AND PLACE CAP).
- TOLERANCE NOT CUMULATIVE.
- CUTTING BURR MAX. 0.25 mm.

TOLERANCE			
Symbol	Value	Material	Position
△	0.10	A	02-15 POS
△	0.15	A	16-25 POS

ALL CONTACTS



1-2842103-0 AS SHOWN



RECOMMENDED PCB PATTERN

POS	TE PN
48.0	25
46.0	24
44.0	23
42.0	22
40.0	21
38.0	20
36.0	19
34.0	18
32.0	17
30.0	16
28.0	15
26.0	14
24.0	13
22.0	12
20.0	11
18.0	10
16.0	9
14.0	8
12.0	7
10.0	6
8.0	5
6.0	4
4.0	3
2.0	2

DESCRIPTION	ITEM NO.
PICK AND PLACE CAP	3
CONTACT PIN	2
HOUSING	1

THIS DRAWING IS A CONTROLLED DOCUMENT.		DWN 08AUG2019 ANKIT YADAV
DIMENSIONS: mm		CHK 13AUG2019 KARTHIK JK
TOLERANCES UNLESS OTHERWISE SPECIFIED:		APVD 14AUG2019 PRASHANTH S
0 PLC ±	1 PLC ±0.2	PRODUCT SPEC 108-64040
2 PLC ±0.15	3 PLC ±	APPLICATION SPEC 114-32259
4 PLC ±	ANGLES ±2°	WEIGHT -
FINISH SEE NOTES	SEE NOTES	CUSTOMER DRAWING

TE Connectivity		NAME	
		AMPMODU 2mm BREAKAWAY HEADER, SINGLE ROW, VERTICAL SMD, 0.38 Au, T/R, PICK AND PLACE CAP	
SIZE	CAGE CODE	DRAWING NO	RESTRICTED TO
A2	00779	C-2842103	-
SCALE 5:1		SHEET 1 OF 1	REV B1