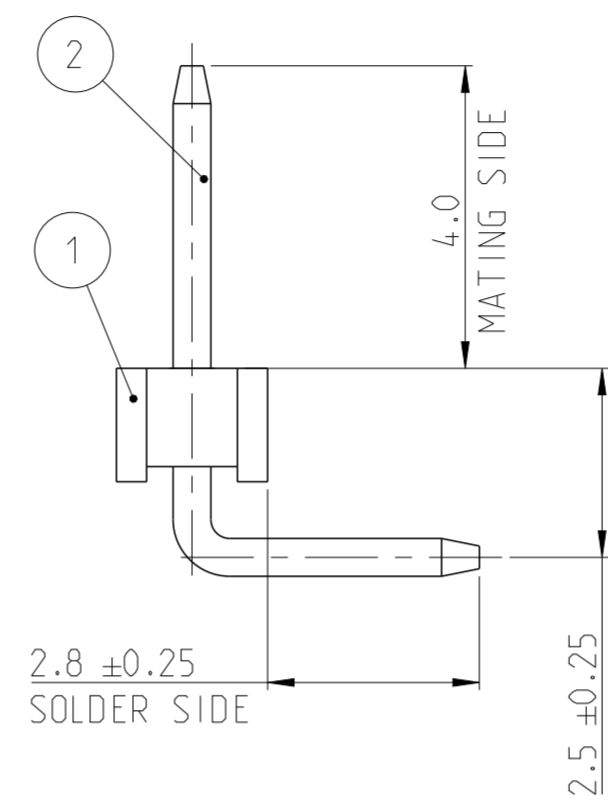
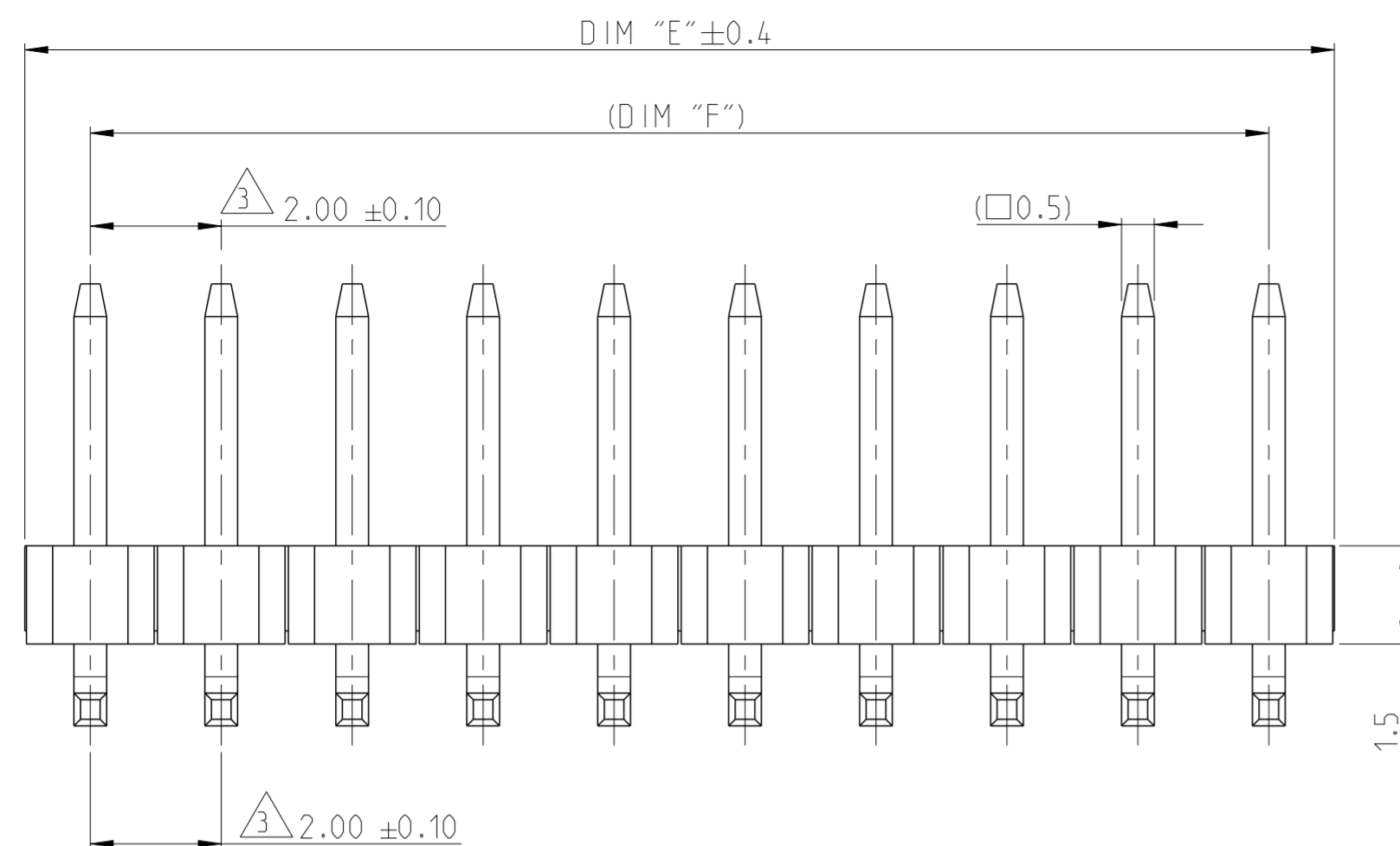
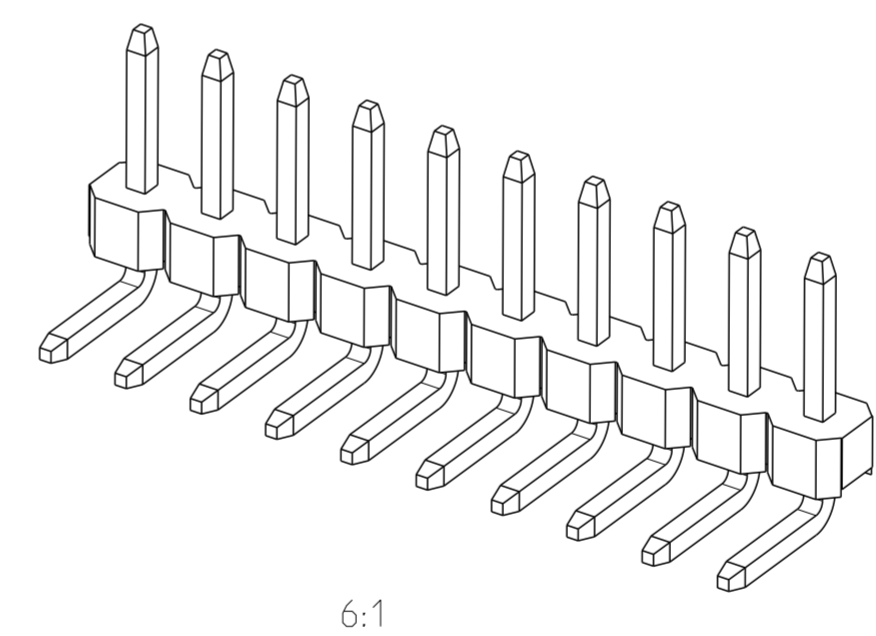
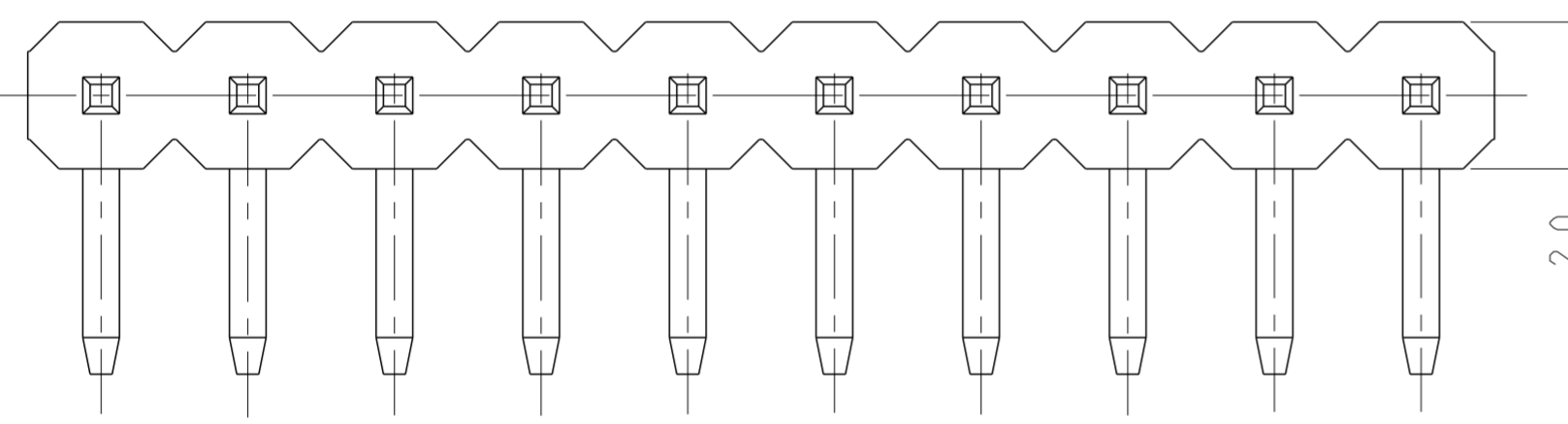


P	LTR	DESCRIPTION	DATE	DWN	APVD
A		RELEASE TO PRODUCTION	27AUG2019	AY	PS
A1		REMOVED TOLERANCE FROM DIM F	17DEC2019	AY	PS
A2		PARTS OBSOLESCENCE	22JUN2023	BGC	PS

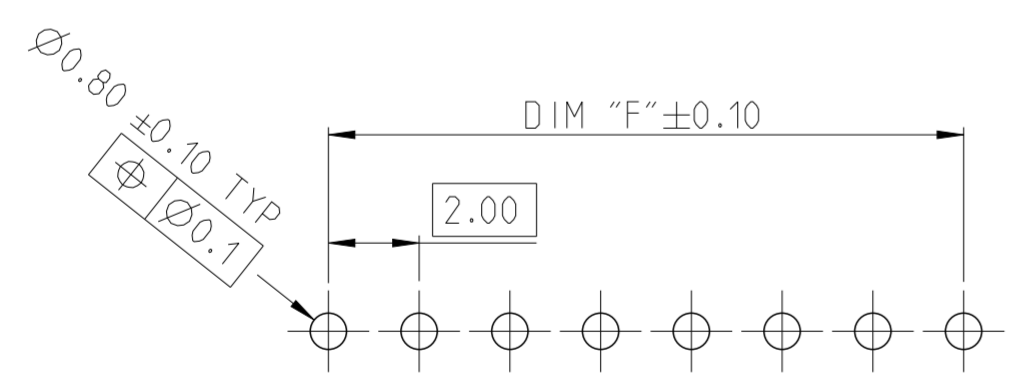


NOTES:

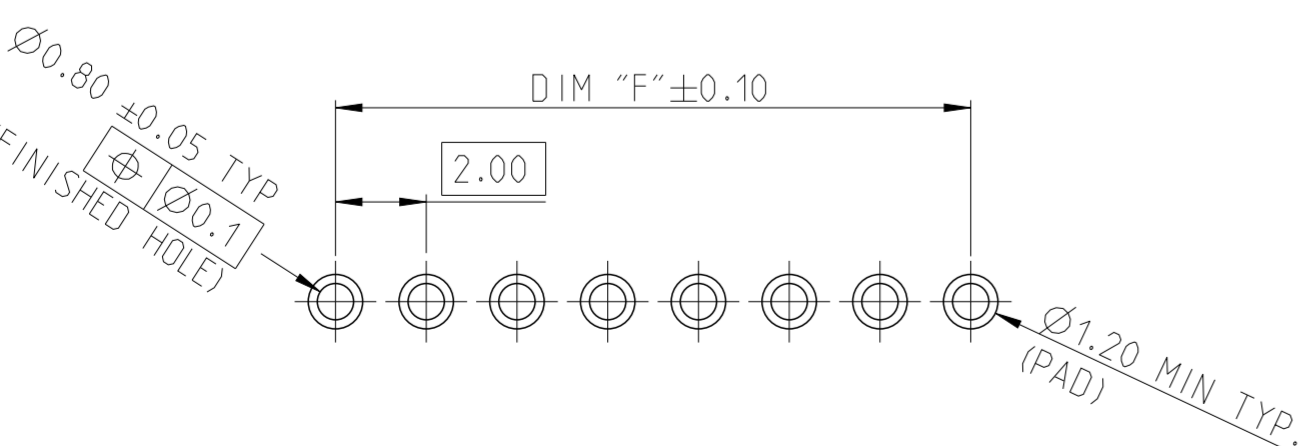
- MATERIAL
HOUSING : HIGH TEMPERATURE THERMOPLASTIC, UL94-V0; COLOR- BLACK
CONTACT PIN : COPPER ALLOY
FINISH :
MATING SIDE: MIN. 0.1 μm GOLD OVER NICKEL UNDER PLATING.
SOLDER SIDE: MIN. 2.0 μm BRIGHT TIN OVER NICKEL UNDER PLATING.
- PACKAGING: TUBE.
- TOLERANCE NOT CUMULATIVE.
- CUTTING BURR MAX. 0.25 mm.



6:1



RECOMMENDED PCB HOLE PATTERN FOR THROUGH HOLE WAVE



RECOMMENDED PCB HOLE PATTERN FOR THROUGH HOLE REFLOW /PIN-IN-PASTE

1-2842110-0 AS SHOWN

Ø	POS	TE PN
48.0	25	2-2842110-5
46.0	24	2-2842110-4
44.0	23	2-2842110-3
42.0	22	2-2842110-2
40.0	21	2-2842110-1
38.0	20	2-2842110-0
36.0	19	1-2842110-9
34.0	18	1-2842110-8
32.0	17	1-2842110-7
30.0	16	1-2842110-6
28.0	15	1-2842110-5
26.0	14	1-2842110-4
24.0	13	1-2842110-3
22.0	12	1-2842110-2
20.0	11	1-2842110-1
18.0	10	1-2842110-0
16.0	9	2842110-9
14.0	8	2842110-8
12.0	7	2842110-7
10.0	6	2842110-6
8.0	5	2842110-5
6.0	4	2842110-4
4.0	3	2842110-3
2.0	2	2842110-2

THIS DRAWING IS A CONTROLLED DOCUMENT.		DWN 01AUG2019 ANKIT YADAV
DIMENSIONS: mm		CHK 14AUG2019 KARTHIK JK
TOLERANCES UNLESS OTHERWISE SPECIFIED:		APVD 16AUG2019 PRASHANTH S
0 PLC ±	1 PLC ±0.2	PRODUCT SPEC 108-64040
2 PLC ±0.15	3 PLC ±	APPLICATION SPEC 114-32259
4 PLC ±	ANGLES ±2°	WEIGHT -
FINISH -	-	CUSTOMER DRAWING

CONTACT PIN	2
HOUSING	1
DESCRIPTION	ITEM NO.

		TE Connectivity	
		NAME AMPMODU 2mm BREAKAWAY HEADER, SINGLE ROW, RIGHT ANGLE, 0.1 Au, TUBE	
SIZE A2	CAGE CODE 00779	DRAWING NO. C-2842110	RESTRICTED TO -
SCALE 5:1		SHEET 1 OF 1	REV A2