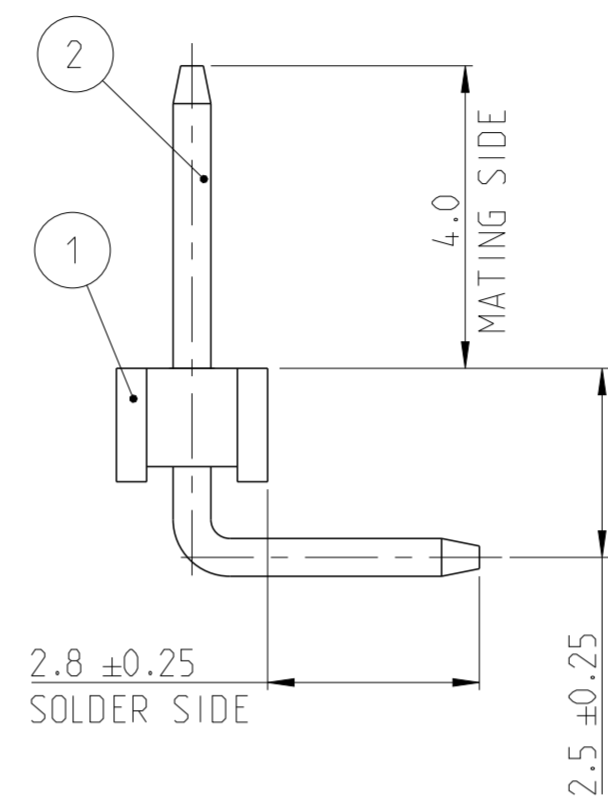
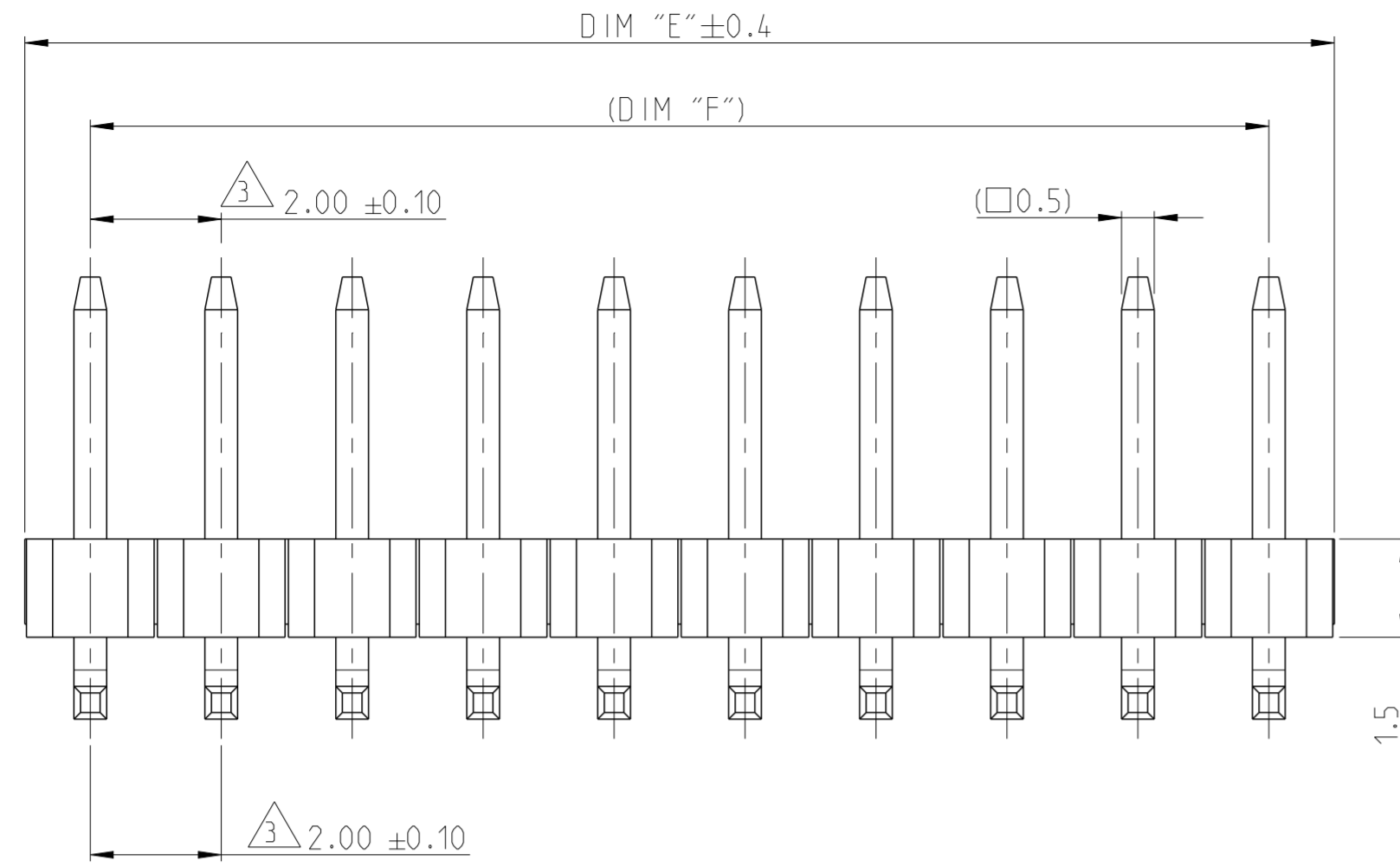
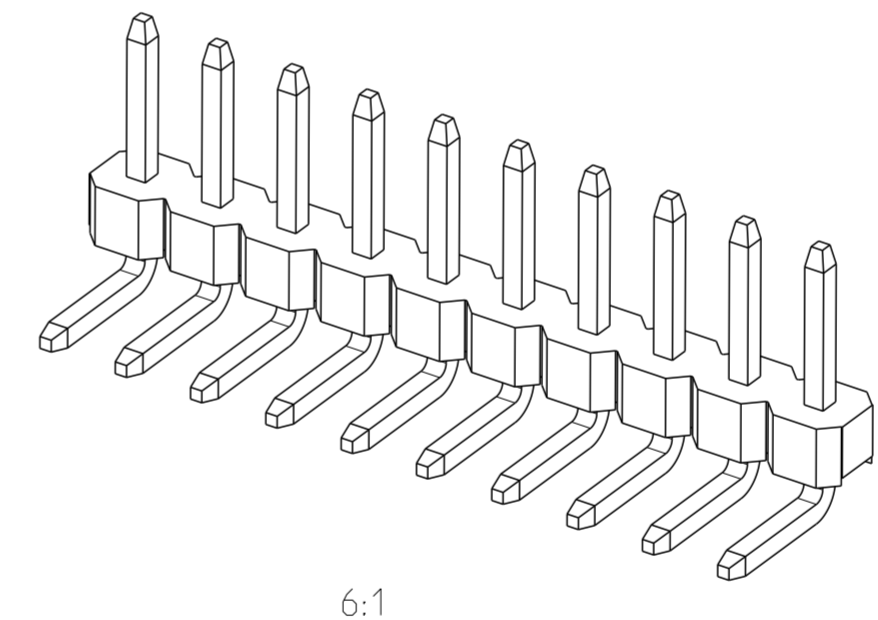
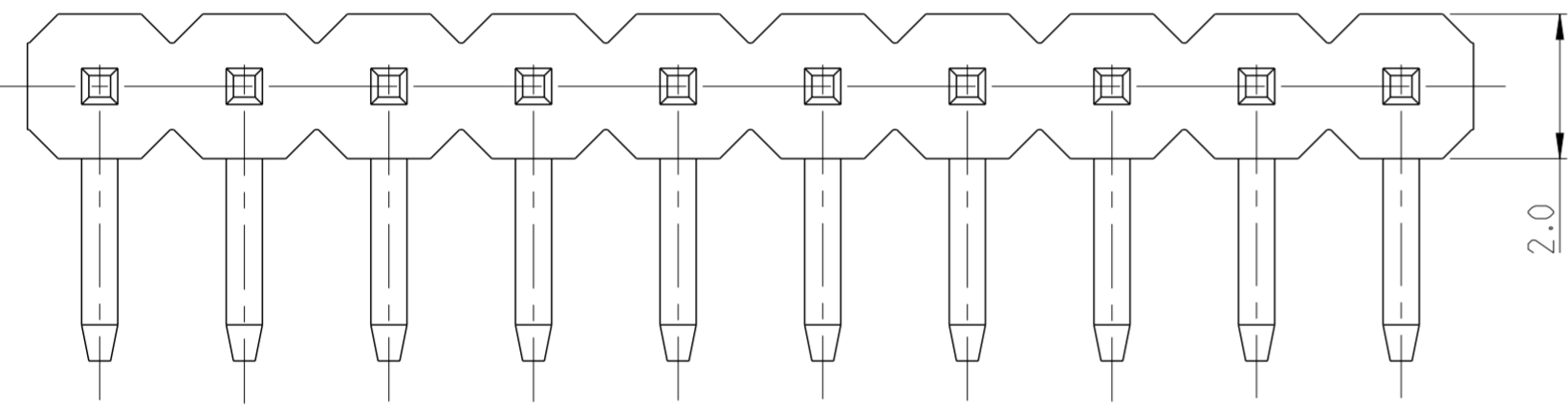


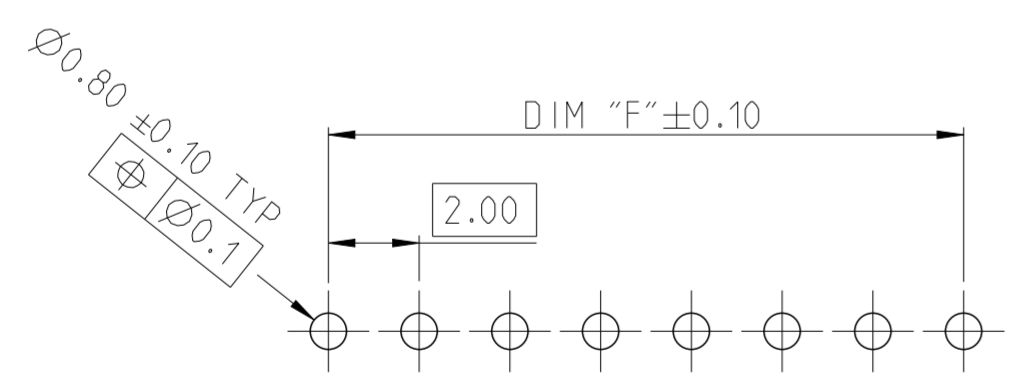
P	LTR	DESCRIPTION	DATE	DWN	APVD
A		RELEASE TO PRODUCTION	27AUG2019	AY	PS
A1		REMOVED TOLERANCE FROM DIM F	17DEC2019	AY	PS
A2		PARTS OBSOLESCENCE	22JUN2023	BGC	PS



- NOTES:
- MATERIAL
HOUSING : HIGH TEMPERATURE THERMOPLASTIC, UL94-V0; COLOR- BLACK
CONTACT PIN : COPPER ALLOY
FINISH :
MATING SIDE: MIN. 0.38 μm GOLD OVER NICKEL UNDER PLATING.
SOLDER SIDE: MIN. 2.0 μm BRIGHT TIN OVER NICKEL UNDER PLATING.
 - PACKAGING: TUBE.
 - TOLERANCE NOT CUMULATIVE.
 - CUTTING BURR MAX. 0.25 mm.

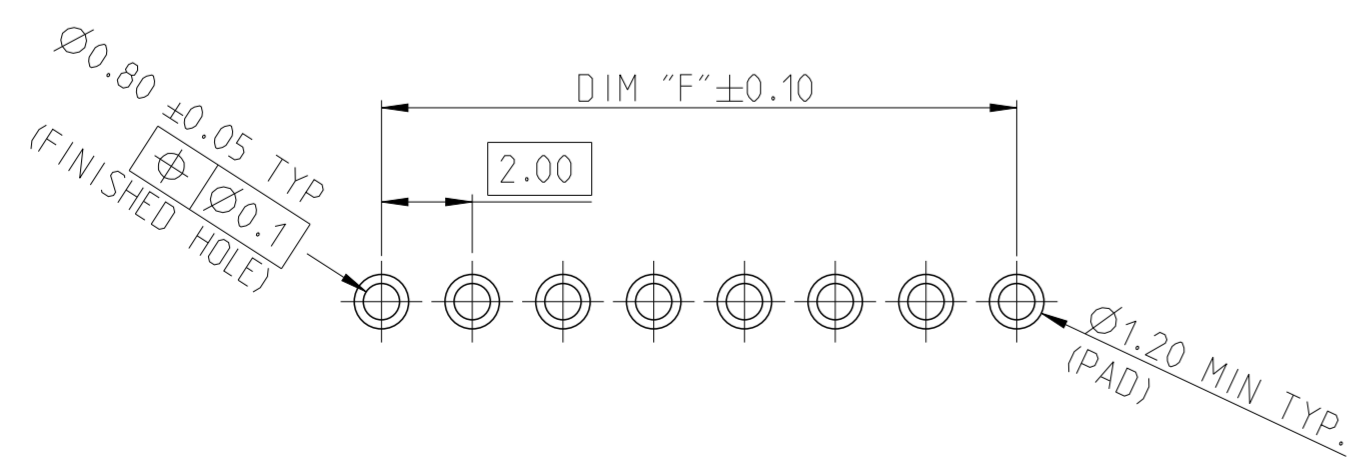


OBsolete	48.0	50.0	25	2-2842111-5
	46.0	48.0	24	2-2842111-4
	44.0	46.0	23	2-2842111-3
	42.0	44.0	22	2-2842111-2
	40.0	42.0	21	2-2842111-1
	38.0	40.0	20	2-2842111-0
	36.0	38.0	19	1-2842111-9
	34.0	36.0	18	1-2842111-8
	32.0	34.0	17	1-2842111-7
	30.0	32.0	16	1-2842111-6
	28.0	30.0	15	1-2842111-5
	26.0	28.0	14	1-2842111-4
	24.0	26.0	13	1-2842111-3
	22.0	24.0	12	1-2842111-2
	20.0	22.0	11	1-2842111-1
	18.0	20.0	10	1-2842111-0
OBsolete	16.0	18.0	9	2842111-9
	14.0	16.0	8	2842111-8
OBsolete	12.0	14.0	7	2842111-7
	10.0	12.0	6	2842111-6
	8.0	10.0	5	2842111-5
	6.0	8.0	4	2842111-4
	4.0	6.0	3	2842111-3
	2.0	4.0	2	2842111-2
	DIM "F"	DIM "E"	POS	TE PN



RECOMMENDED PCB HOLE PATTERN FOR THROUGH HOLE WAVE

1-2842111-0 AS SHOWN



RECOMMENDED PCB HOLE PATTERN FOR THROUGH HOLE REFLOW/PIN-IN-PASTE

CONTACT PIN	2
HOUSING	1
DESCRIPTION	ITEM NO.

THIS DRAWING IS A CONTROLLED DOCUMENT.

DIMENSIONS: mm	TOLERANCES UNLESS OTHERWISE SPECIFIED:	DWN ANKIT YADAV 01AUG2019	TE Connectivity NAME AMPMODU 2mm BREAKAWAY HEADER, SINGLE ROW, RIGHT ANGLE, 0.38 Au, TUBE SIZE A2 CAGE CODE 00779 DRAWING NO C-2842111 RESTRICTED TO - SCALE 5:1 SHEET 1 OF 1 REV A2
	0 PLC ±	CHK KARTHIK JK 14AUG2019	
	1 PLC ±0.2	APVD PRASHANTH S 16AUG2019	
	2 PLC ±0.15	PRODUCT SPEC 108-64040	
	3 PLC ±	APPLICATION SPEC 114-32259	
	4 PLC ±	WEIGHT -	
	ANGLES ±°	CUSTOMER DRAWING	
	FINISH -		