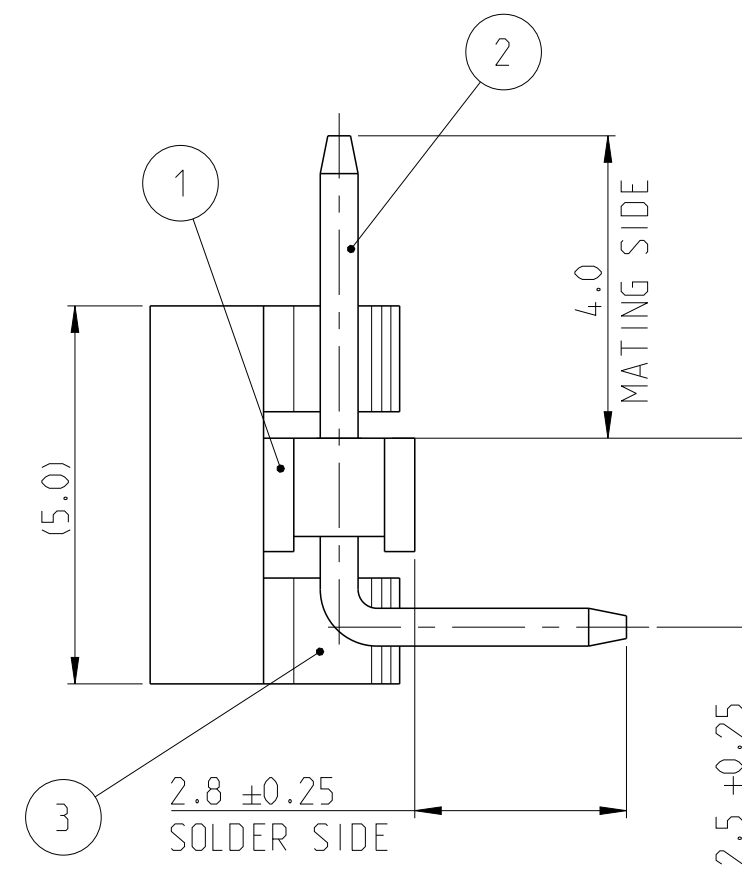
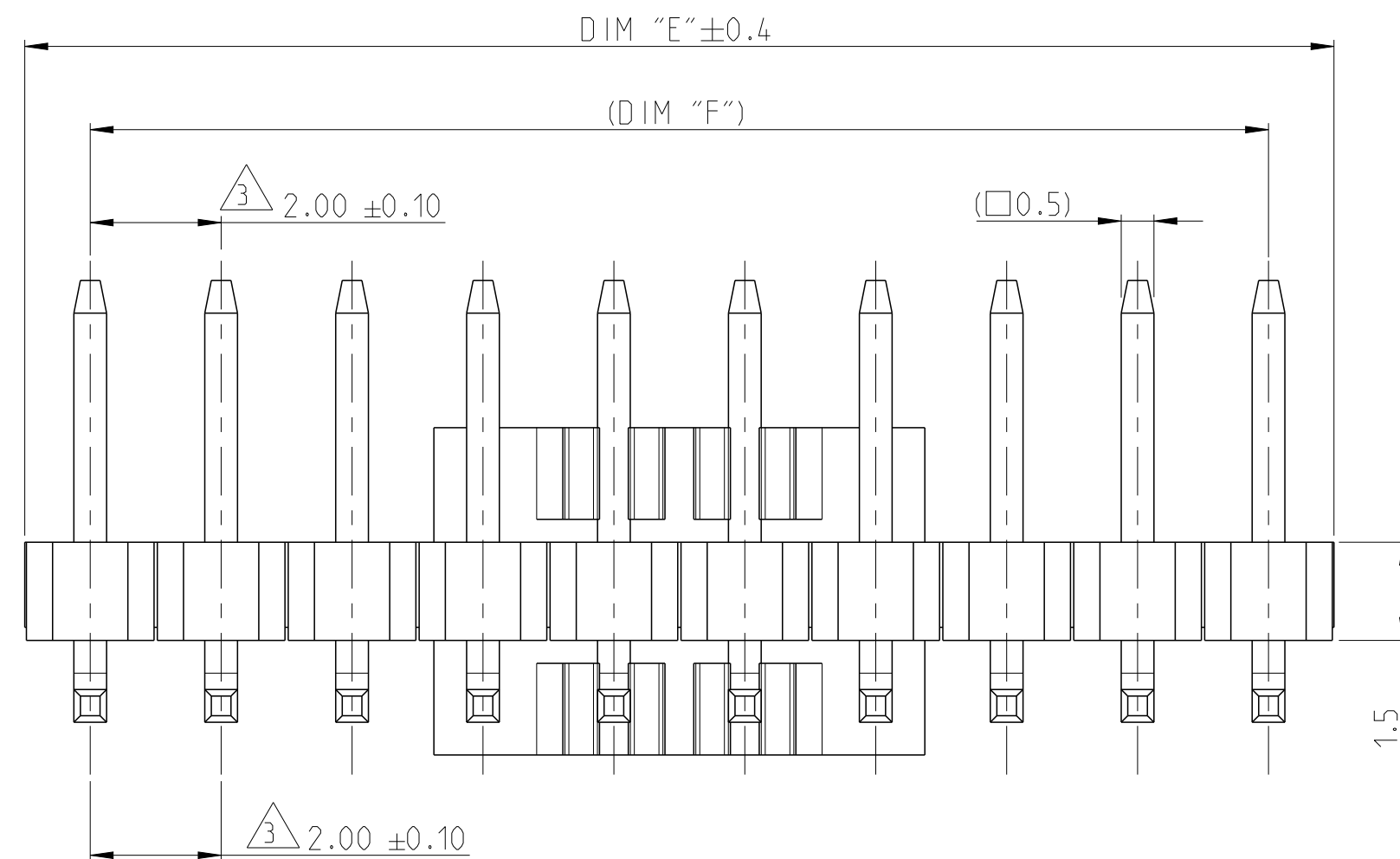
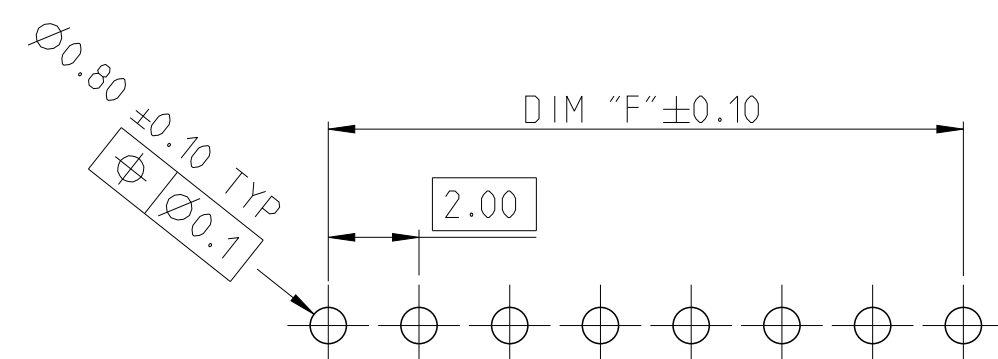
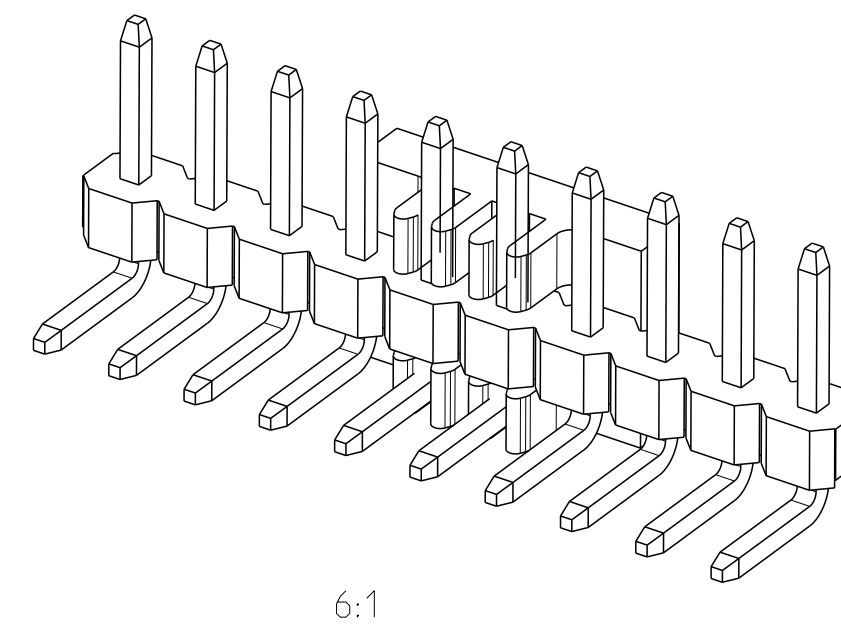
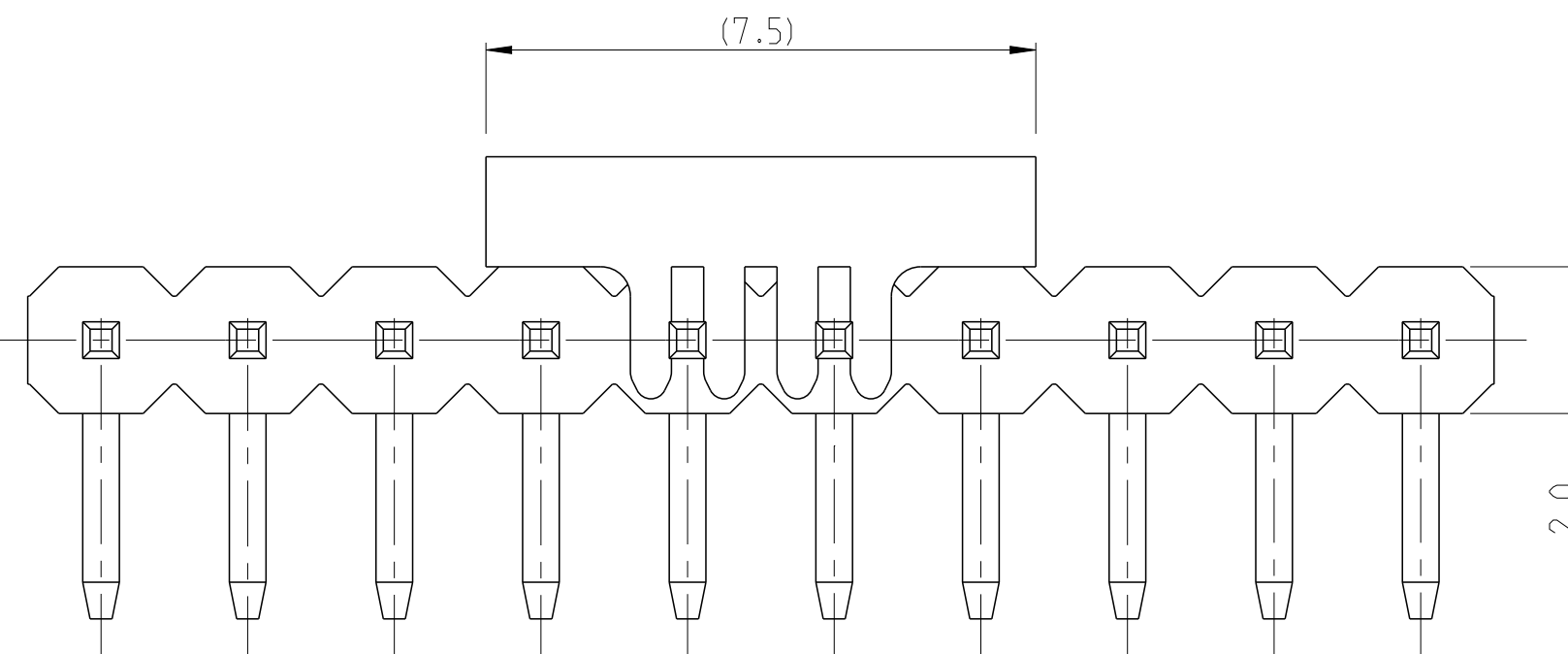


P	LTR	DESCRIPTION	DATE	DWN	APVD
A		RELEASE TO PRODUCTION	27AUG2019	AY	PS
A1		REMOVED TOLERANCE FROM DIM F	17DEC2019	AY	PS
A2		PARTS OBSOLESCENCE	22JUN2023	BGC	PS

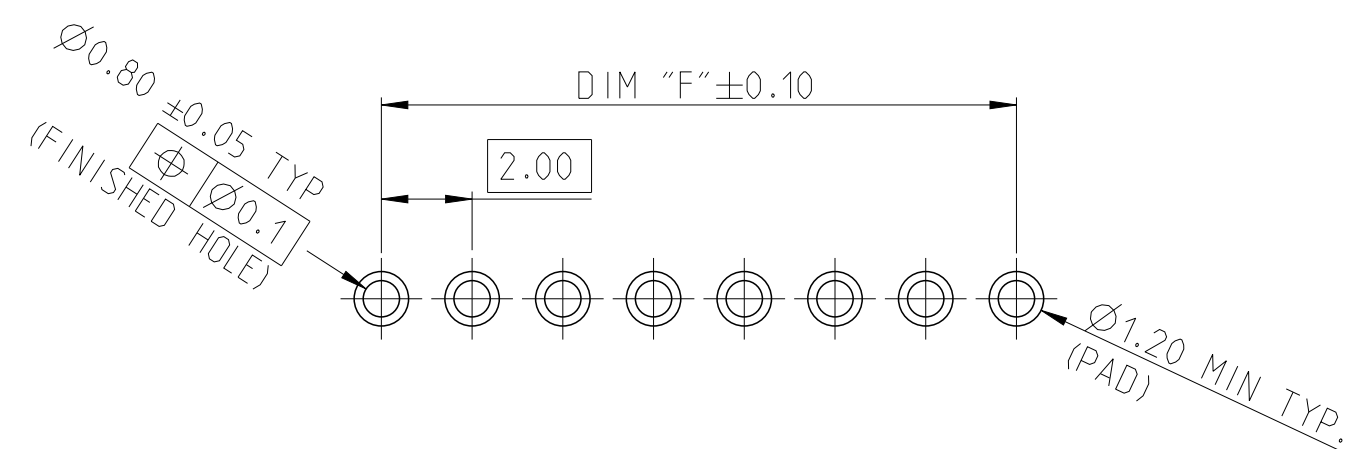


NOTES:

- MATERIAL  
HOUSING & P&P CAP : HIGH TEMPERATURE THERMOPLASTIC, UL94-V0;  
COLOR- BLACK  
CONTACT PIN : COPPER ALLOY  
FINISH :  
MATING SIDE: MIN. 0.1 μm GOLD OVER NICKEL UNDER PLATING.  
SOLDER SIDE: MIN. 2.0 μm BRIGHT TIN OVER NICKEL UNDER PLATING.
- PACKAGING: TUBE (WITH PICK AND PLACE CAP).
- TOLERANCE NOT CUMULATIVE.
- CUTTING BURR MAX. 0.25 mm.



RECOMMENDED PCB HOLE PATTERN FOR THROUGH HOLE WAVE



RECOMMENDED PCB HOLE PATTERN FOR THROUGH HOLE REFLOW/PIN-IN-PASTE

1-2842114-0 AS SHOWN

Ø	POS	TE PN
48.0	25	2-2842114-5
46.0	24	2-2842114-4
44.0	23	2-2842114-3
42.0	22	2-2842114-2
40.0	21	2-2842114-1
38.0	20	2-2842114-0
36.0	19	1-2842114-9
34.0	18	1-2842114-8
32.0	17	1-2842114-7
30.0	16	1-2842114-6
28.0	15	1-2842114-5
26.0	14	1-2842114-4
24.0	13	1-2842114-3
22.0	12	1-2842114-2
20.0	11	1-2842114-1
18.0	10	1-2842114-0
16.0	9	2842114-9
14.0	8	2842114-8
12.0	7	2842114-7
10.0	6	2842114-6
8.0	5	2842114-5
6.0	4	2842114-4

THIS DRAWING IS A CONTROLLED DOCUMENT.

DIMENSIONS: mm	TOLERANCES UNLESS OTHERWISE SPECIFIED:	DWN ANKIT YADAV 01AUG2019	TE Connectivity
0 PLC ±	1 PLC ±0.2	CHK KARTHIK JK 14AUG2019	
2 PLC ±0.15	3 PLC ±	APVD PRASHANTH S 16AUG2019	NAME AMPMODU 2mm BREAKAWAY HEADER, SINGLE ROW, RIGHT ANGLE, 0.1 Au, TUBE PICK AND PLACE CAP
4 PLC ±	ANGLES ±2°	PRODUCT SPEC 108-64040	SIZE A2
MATERIAL SEE NOTES	FINISH -	APPLICATION SPEC 114-32259	CAGE CODE 00779
DESCRIPTION ITEM NO.		WEIGHT -	DRAWING NO C-2842114
		CUSTOMER DRAWING	RESTRICTED TO -

SCALE 5:1 SHEET 1 OF 1 REV A2