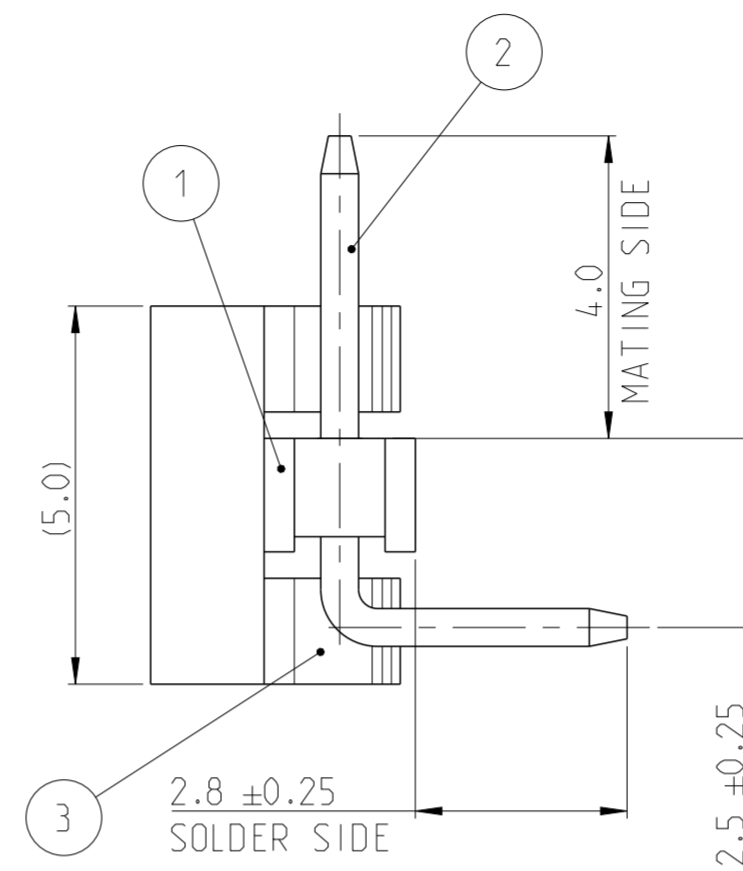
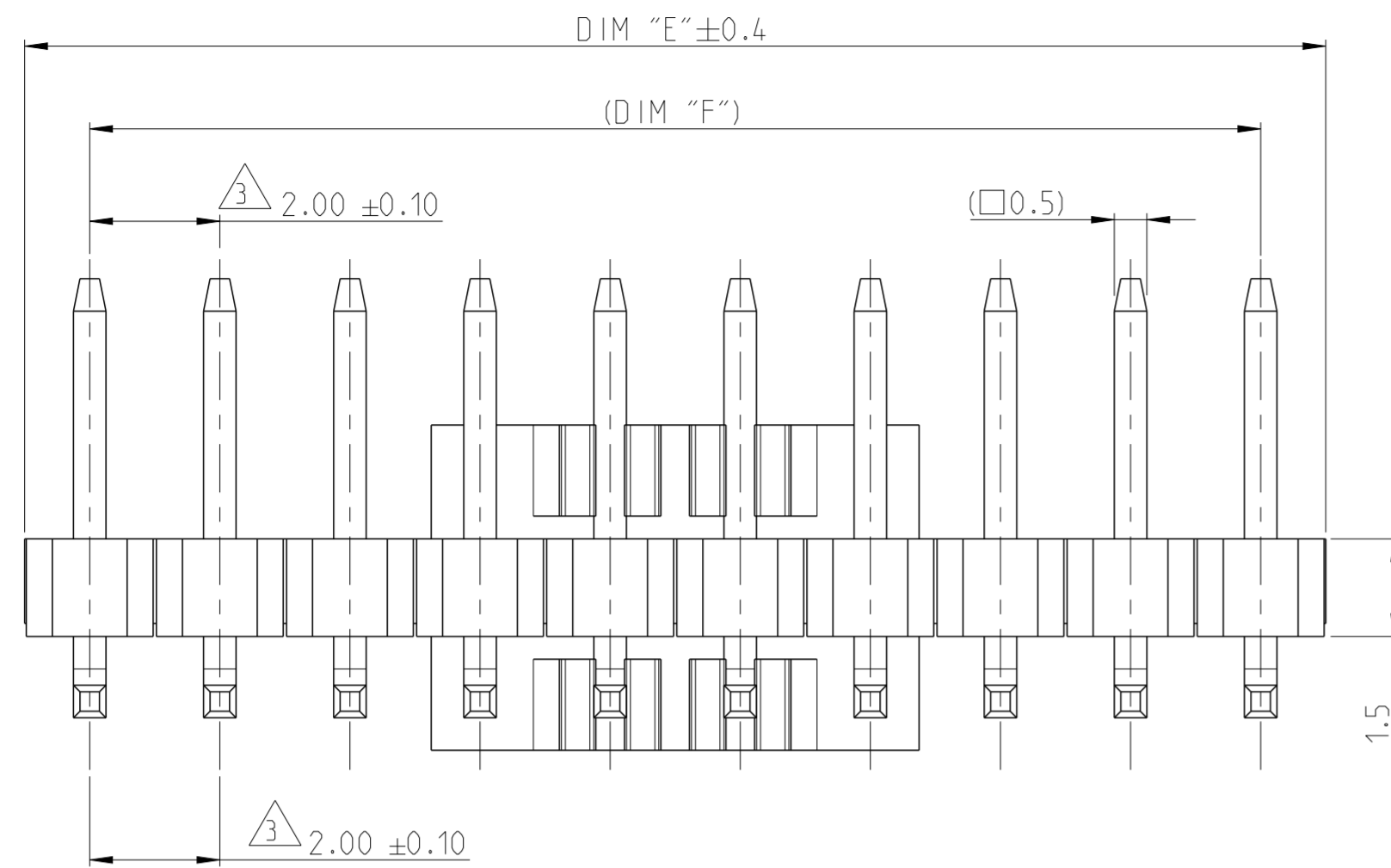
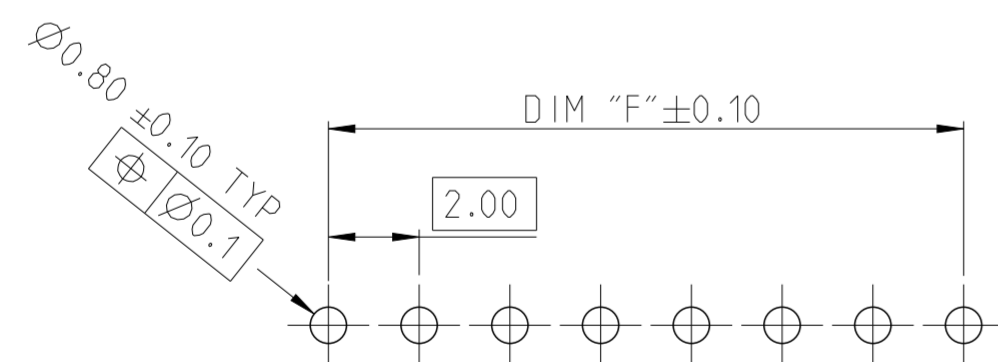
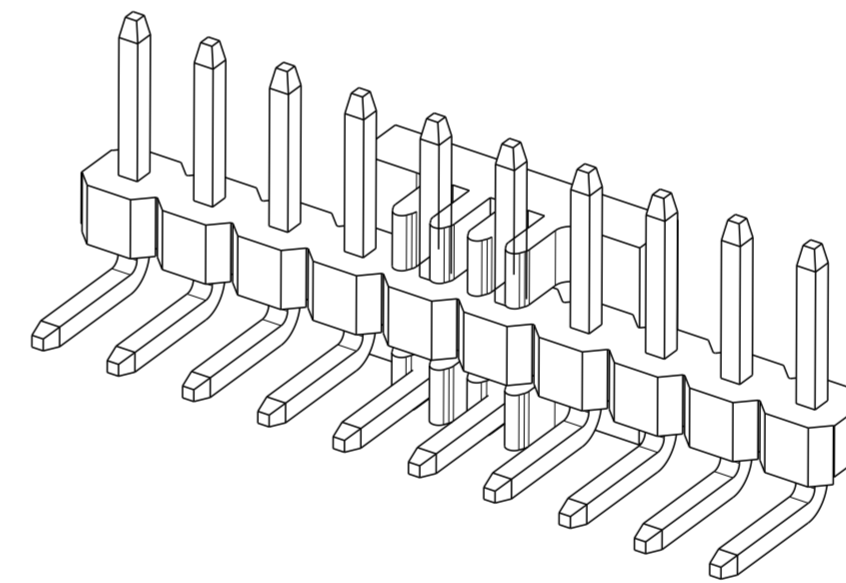
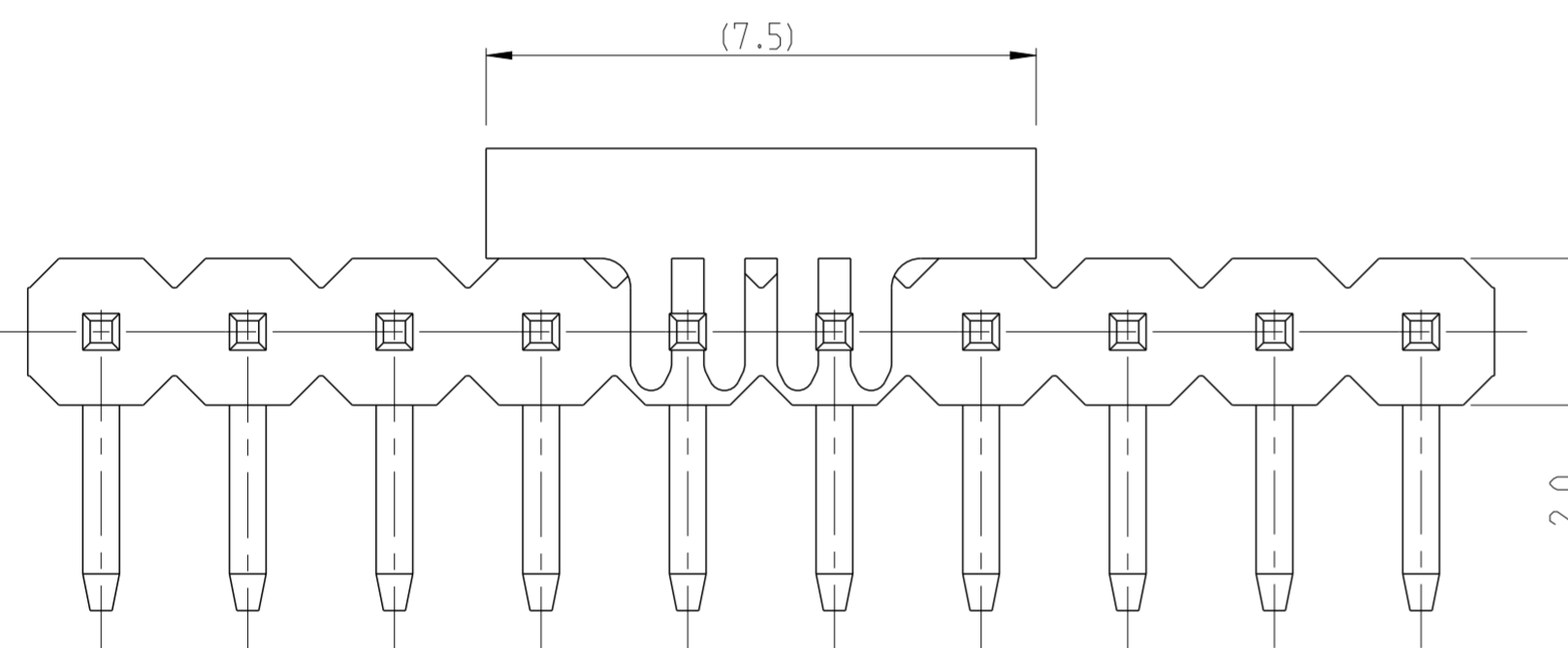


P	LTR	DESCRIPTION	DATE	DWN	APVD
A		RELEASE TO PRODUCTION	27AUG2019	AY	PS
A1		REMOVED TOLERANCE FROM DIM F	17DEC2019	AY	PS
A2		PARTS OBSOLESCENCE	22JUN2023	BGC	PS



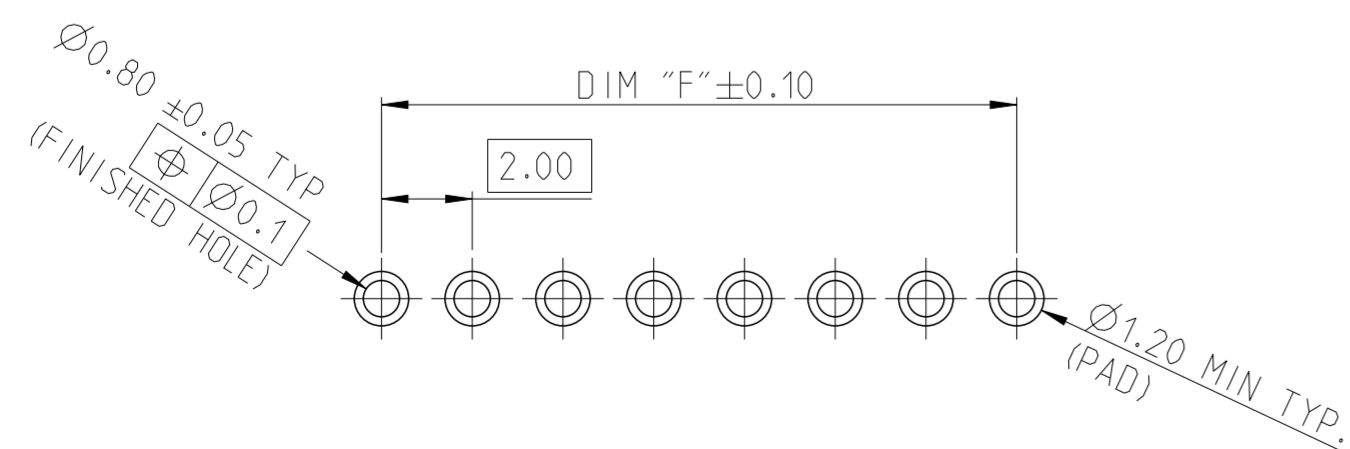
NOTES:

- MATERIAL
HOUSING & P&P CAP : HIGH TEMPERATURE THERMOPLASTIC, UL94-V0;
COLOR- BLACK
CONTACT PIN : COPPER ALLOY
FINISH :
MATING SIDE: MIN. 0.38 μm GOLD OVER NICKEL UNDER PLATING.
SOLDER SIDE: MIN. 2.0 μm BRIGHT TIN OVER NICKEL UNDER PLATING.
- PACKAGING: TUBE (WITH PICK AND PLACE CAP).
- TOLERANCE NOT CUMULATIVE.
- CUTTING BURR MAX. 0.25 mm.



RECOMMENDED PCB HOLE PATTERN FOR THROUGH HOLE WAVE

1-2842115-0 AS SHOWN



RECOMMENDED PCB HOLE PATTERN FOR THROUGH HOLE REFLOW /PIN-IN-PASTE

Ø	48.0	50.0	25	2-2842115-5
	46.0	48.0	24	2-2842115-4
	44.0	46.0	23	2-2842115-3
	42.0	44.0	22	2-2842115-2
	40.0	42.0	21	2-2842115-1
	38.0	40.0	20	2-2842115-0
	36.0	38.0	19	1-2842115-9
	34.0	36.0	18	1-2842115-8
	32.0	34.0	17	1-2842115-7
	30.0	32.0	16	1-2842115-6
	28.0	30.0	15	1-2842115-5
	26.0	28.0	14	1-2842115-4
	24.0	26.0	13	1-2842115-3
	22.0	24.0	12	1-2842115-2
	20.0	22.0	11	1-2842115-1
	18.0	20.0	10	1-2842115-0
OBSOLETE	16.0	18.0	9	2842115-9
OBSOLETE	14.0	16.0	8	2842115-8
OBSOLETE	12.0	14.0	7	2842115-7
	10.0	12.0	6	2842115-6
	8.0	10.0	5	2842115-5
	6.0	8.0	4	2842115-4
DIM "F"	DIM "E"	POS	TE PN	

THIS DRAWING IS A CONTROLLED DOCUMENT.

DWN	01AUG2019
CHK	14AUG2019
APVD	16AUG2019

STE TE Connectivity	
NAME: AMPMODU 2mm BREAKAWAY HEADER, SINGLE ROW, RIGHT ANGLE, 0.38 Au, TUBE PICK AND PLACE CAP	
SIZE: A2	CAGE CODE: 00779
DRAWING NO: C-2842115	RESTRICTED TO: -
SCALE: 5:1	SHEET: 1 OF 1
REV: A2	

PICK AND PLACE CAP	3
CONTACT PIN	2
HOUSING	1
DESCRIPTION	ITEM NO.

DIMENSIONS: mm	TOLERANCES UNLESS OTHERWISE SPECIFIED:
0 PLC	±
1 PLC	±0.2
2 PLC	±0.15
3 PLC	±
4 PLC	±
ANGLES	±2°
FINISH	-