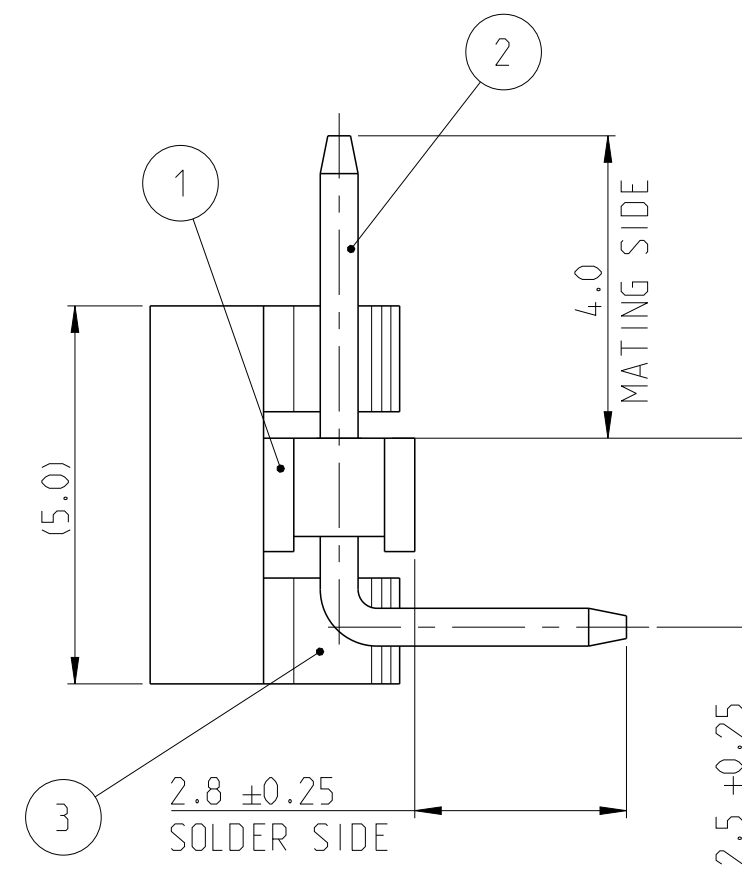
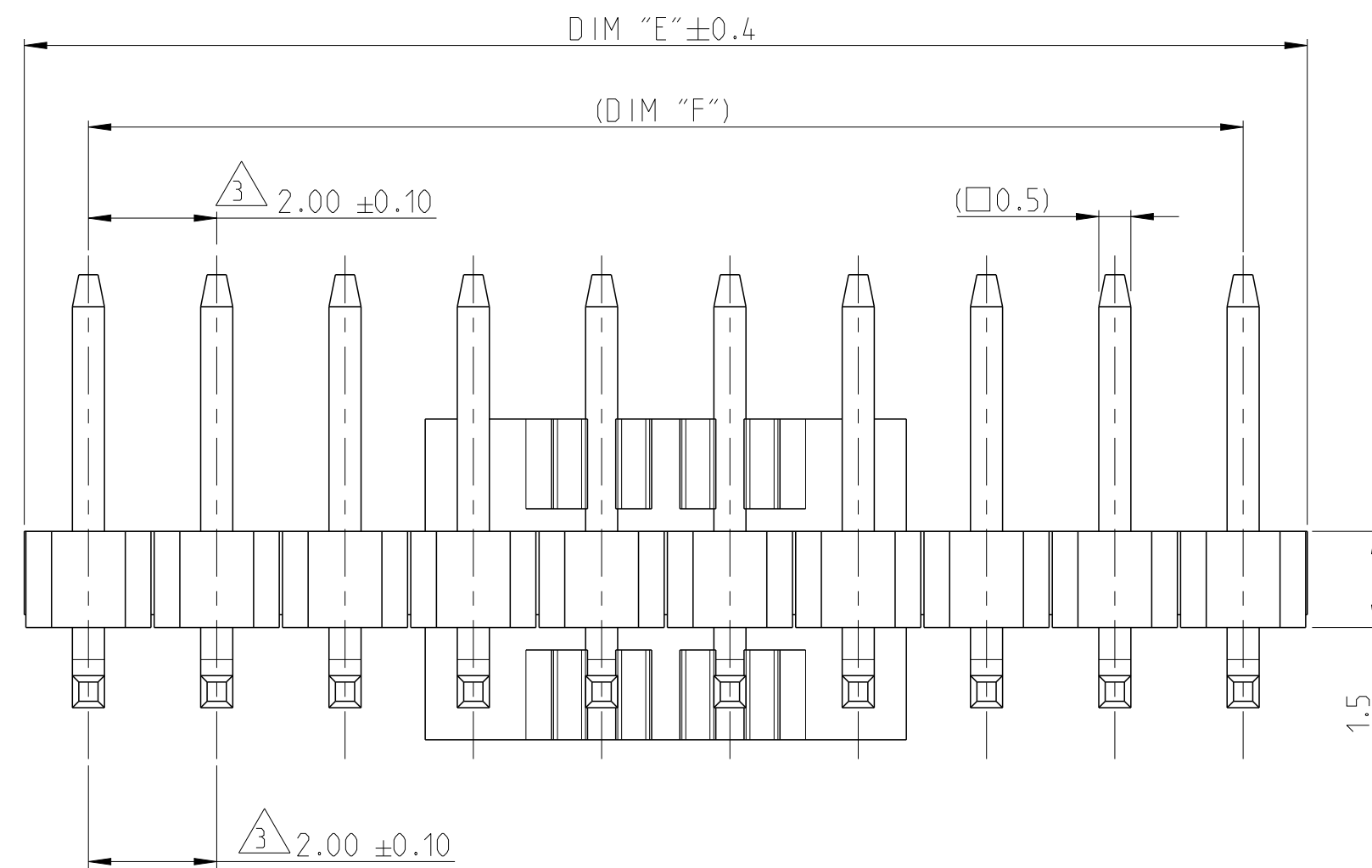
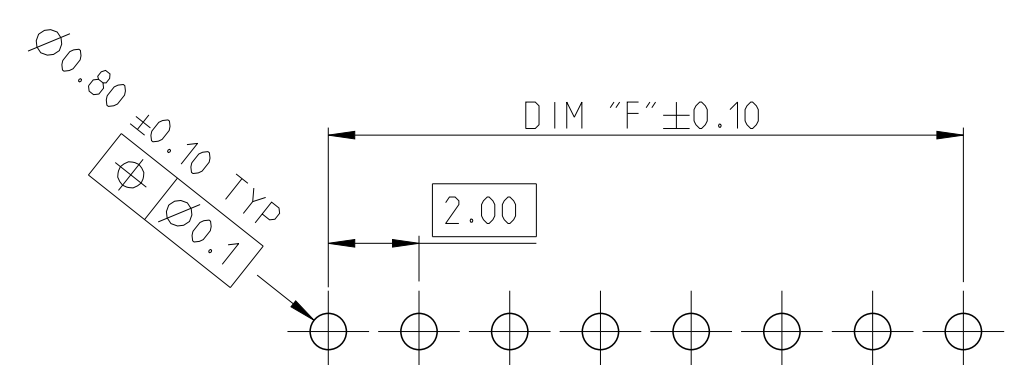
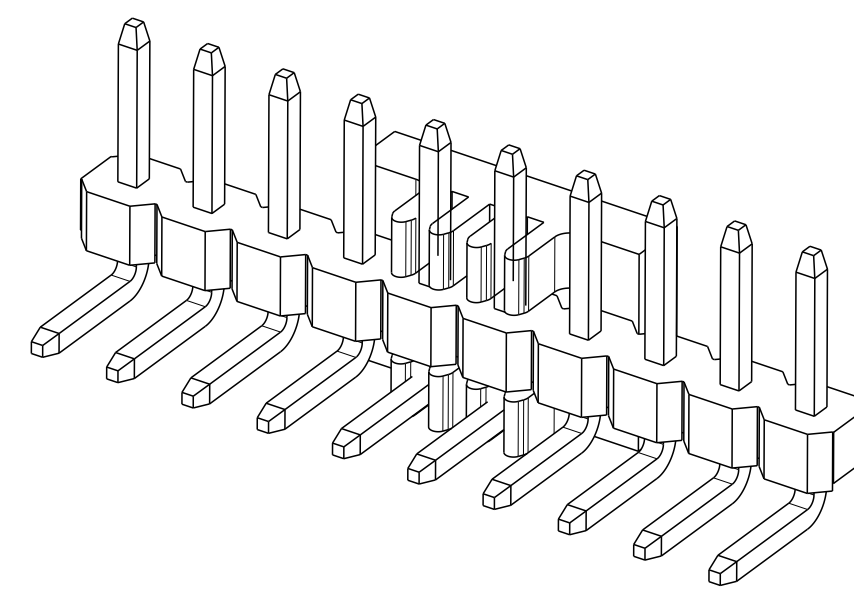
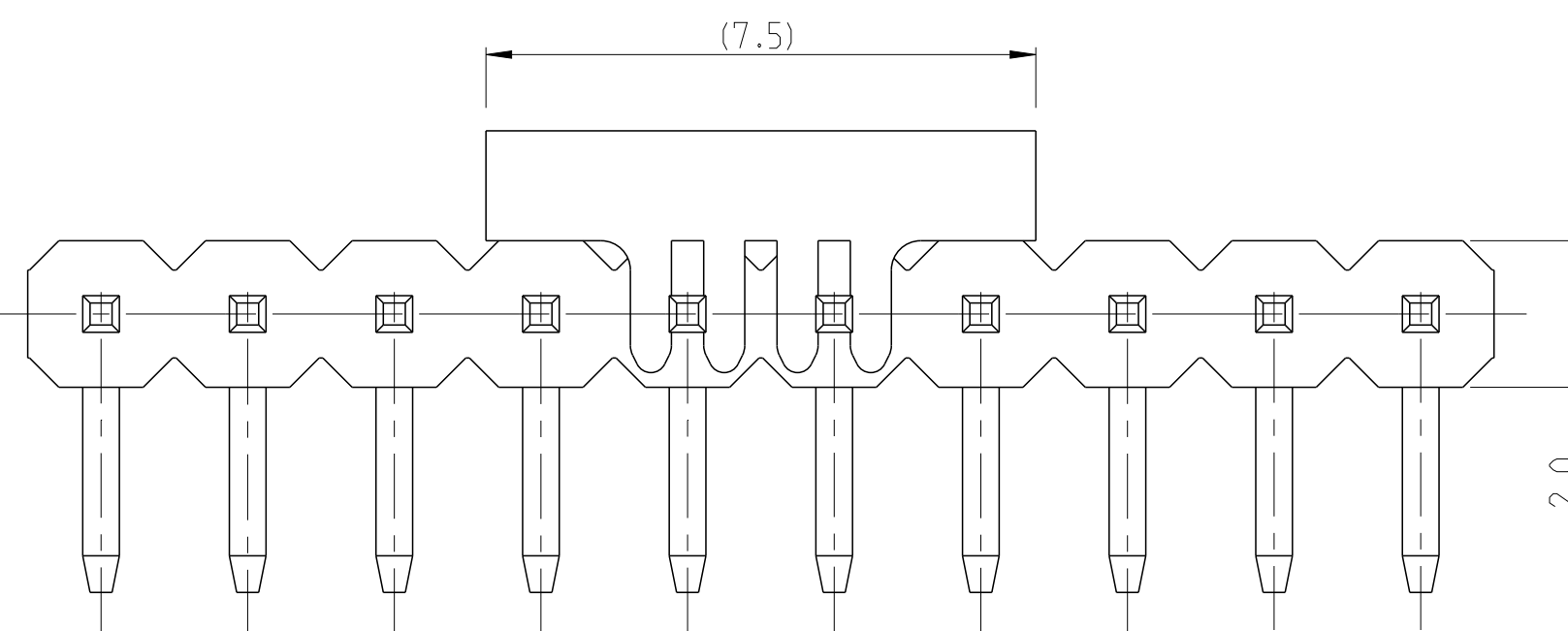


P	LTR	DESCRIPTION	DATE	DWN	APVD
A		RELEASE TO PRODUCTION	27AUG2019	AY	PS
A1		REMOVED TOLERANCE FROM DIM F	17DEC2019	AY	PS
A2		PARTS OBSOLESCENCE	22JUN2023	BGC	PS

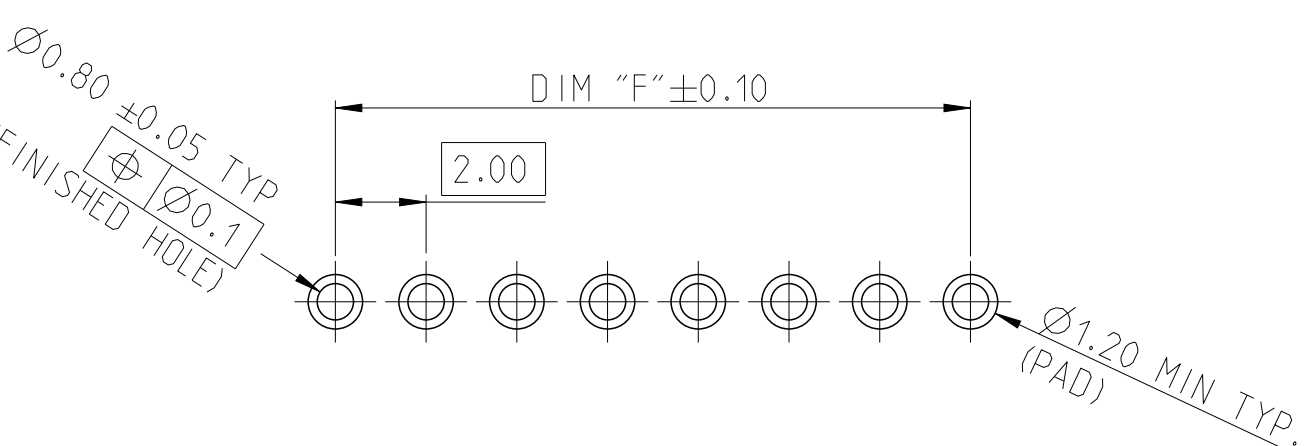


NOTES:

- MATERIAL
HOUSING & P&P CAP : HIGH TEMPERATURE THERMOPLASTIC, UL94-V0;
COLOR- BLACK
CONTACT PIN : COPPER ALLOY
FINISH :
MATING SIDE: MIN. 0.76 μm GOLD OVER NICKEL UNDER PLATING.
SOLDER SIDE: MIN. 2.0 μm BRIGHT TIN OVER NICKEL UNDER PLATING.
- PACKAGING: TUBE (WITH PICK AND PLACE CAP).
- TOLERANCE NOT CUMULATIVE.
- CUTTING BURR MAX. 0.25 mm.



RECOMMENDED PCB HOLE PATTERN FOR THROUGH HOLE WAVE



RECOMMENDED PCB HOLE PATTERN FOR THROUGH HOLE REFLOW /PIN-IN-PASTE

1-2842116-0 AS SHOWN

POS	DIM "F"	DIM "E"	TE PN
25	48.0	50.0	2-2842116-5
24	46.0	48.0	2-2842116-4
23	44.0	46.0	2-2842116-3
22	42.0	44.0	2-2842116-2
21	40.0	42.0	2-2842116-1
20	38.0	40.0	2-2842116-0
19	36.0	38.0	1-2842116-9
18	34.0	36.0	1-2842116-8
17	32.0	34.0	1-2842116-7
16	30.0	32.0	1-2842116-6
15	28.0	30.0	1-2842116-5
14	26.0	28.0	1-2842116-4
13	24.0	26.0	1-2842116-3
12	22.0	24.0	1-2842116-2
11	20.0	22.0	1-2842116-1
10	18.0	20.0	1-2842116-0
9	16.0	18.0	2842116-9
8	14.0	16.0	2842116-8
7	12.0	14.0	2842116-7
6	10.0	12.0	2842116-6
5	8.0	10.0	2842116-5
4	6.0	8.0	2842116-4

OBSOLETE

OBSOLETE

OBSOLETE

THIS DRAWING IS A CONTROLLED DOCUMENT.		DWN 01AUG2019 ANKIT YADAV
DIMENSIONS: mm		CHK 14AUG2019 KARTHIK JK
TOLERANCES UNLESS OTHERWISE SPECIFIED:		APVD 16AUG2019 PRASHANTH S
0 PLC ±	1 PLC ±0.2	PRODUCT SPEC 108-64040
2 PLC ±0.15	3 PLC ±	APPLICATION SPEC 114-32259
4 PLC ±	ANGLES ±°	WEIGHT -
FINISH -		CUSTOMER DRAWING

PICK AND PLACE CAP	3
CONTACT PIN	2
HOUSING	1
DESCRIPTION	ITEM NO.

STE TE Connectivity

NAME: AMPMODU 2mm BREAKAWAY HEADER, SINGLE ROW, RIGHT ANGLE, 0.76 Au.TUBE PICK AND PLACE CAP

SIZE: A2 CAGE CODE: 00779 DRAWING NO: C-2842116 RESTRICTED TO: -

SCALE: 5:1 SHEET: 1 OF 1 REV: A2