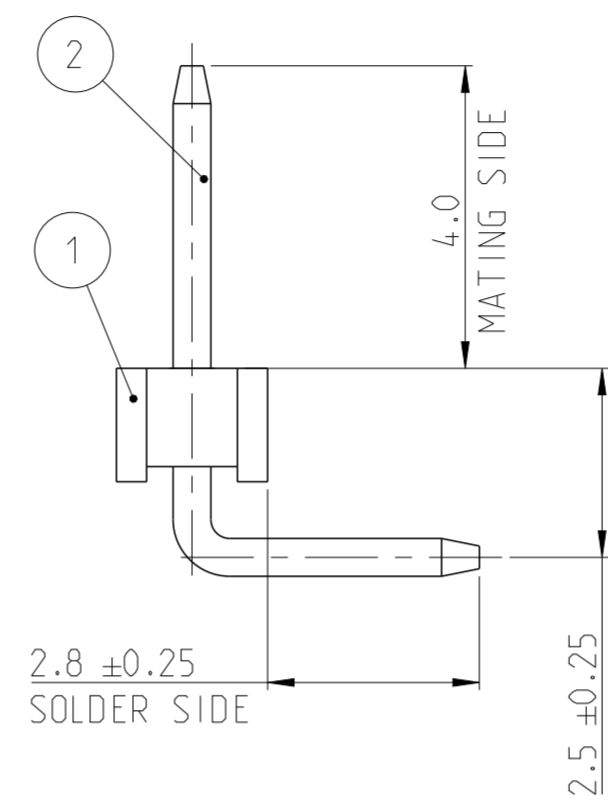
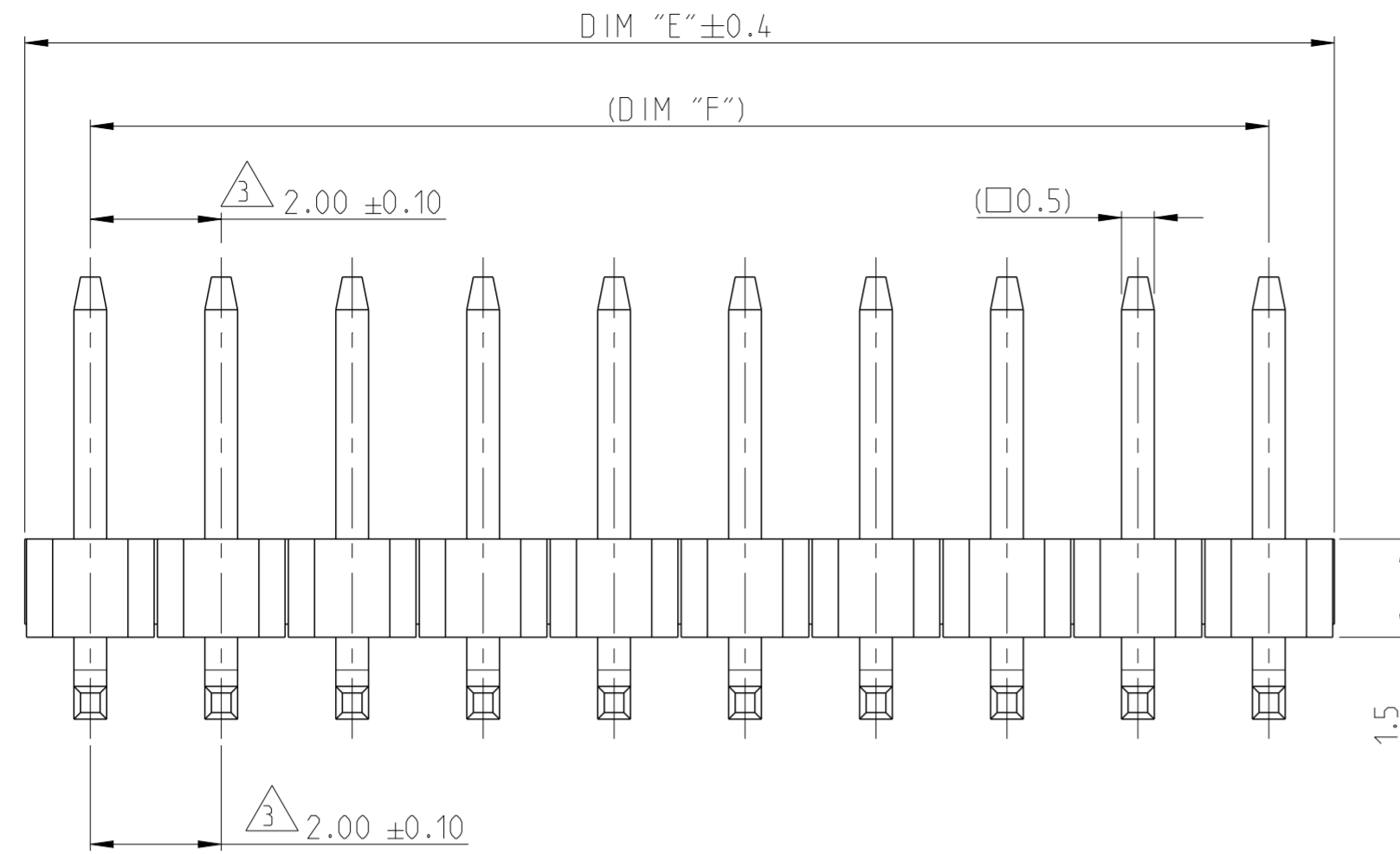
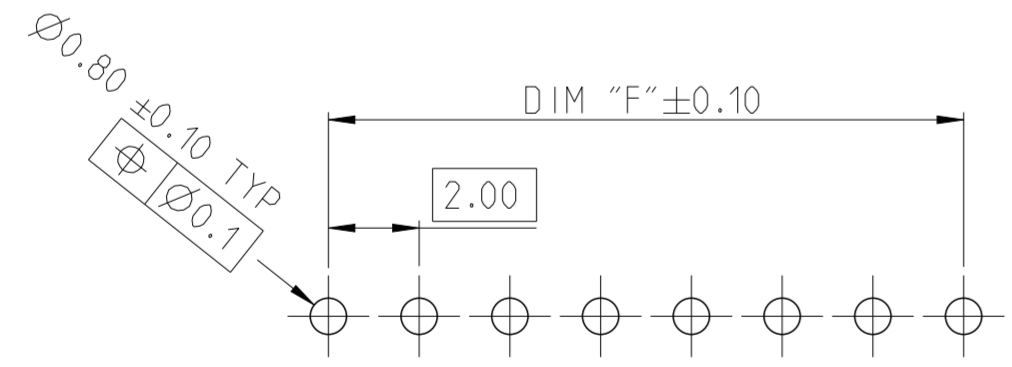
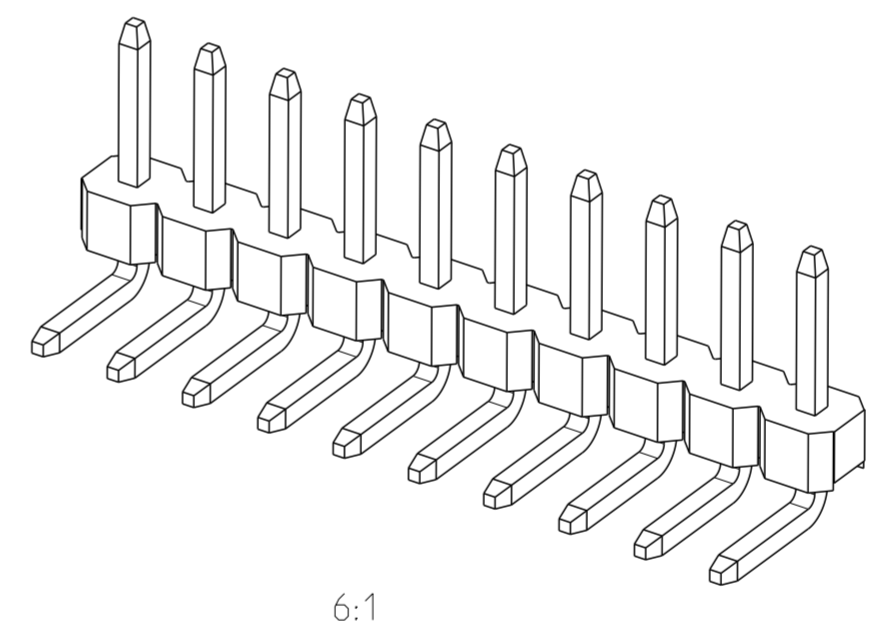
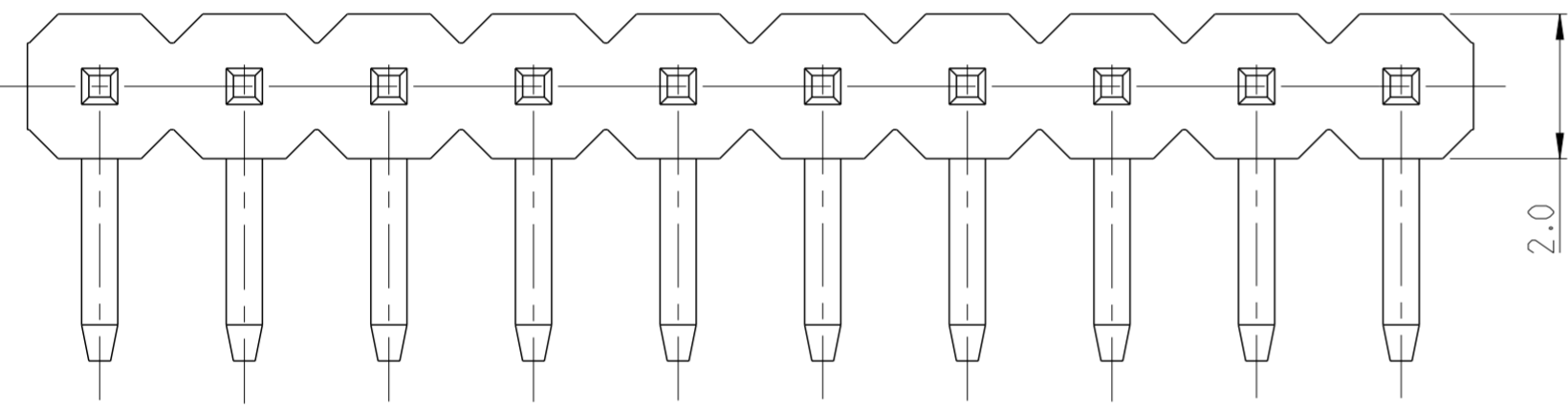


P	LTR	DESCRIPTION	DATE	DWN	APVD
A		RELEASE TO PRODUCTION	27AUG2019	AY	PS
A1		REMOVED TOLERANCE FROM DIM F	17DEC2019	AY	PS
A2		PARTS OBSOLESCENCE	22JUN23	BGC	PS

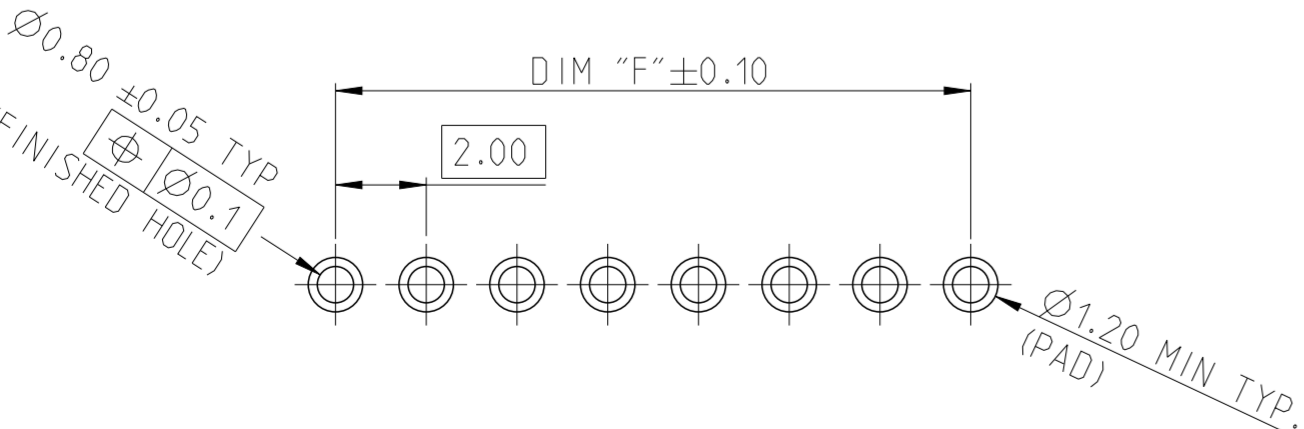


- NOTES:
- MATERIAL
HOUSING : HIGH TEMPERATURE THERMOPLASTIC, UL94-V0; COLOR- BLACK
CONTACT PIN : COPPER ALLOY
FINISH :
MATING SIDE: MIN. 0.1 μm GOLD OVER NICKEL UNDER PLATING.
SOLDER SIDE: MIN. 2.0 μm BRIGHT TIN OVER NICKEL UNDER PLATING.
 - PACKAGING: BULK PACK.
 - TOLERANCE NOT CUMULATIVE.
 - CUTTING BURR MAX. 0.25 mm.



RECOMMENDED PCB HOLE PATTERN FOR THROUGH HOLE WAVE

1-2842122-0 AS SHOWN



RECOMMENDED PCB HOLE PATTERN FOR THROUGH HOLE REFLOW/PIN-IN-PASTE

DIM "F"	DIM "E"	POS	TE PN
48.0	50.0	25	2-2842122-5
46.0	48.0	24	2-2842122-4
44.0	46.0	23	2-2842122-3
42.0	44.0	22	2-2842122-2
40.0	42.0	21	2-2842122-1
38.0	40.0	20	2-2842122-0
36.0	38.0	19	1-2842122-9
34.0	36.0	18	1-2842122-8
32.0	34.0	17	1-2842122-7
30.0	32.0	16	1-2842122-6
28.0	30.0	15	1-2842122-5
26.0	28.0	14	1-2842122-4
24.0	26.0	13	1-2842122-3
22.0	24.0	12	1-2842122-2
20.0	22.0	11	1-2842122-1
18.0	20.0	10	1-2842122-0
OBSOLETE	16.0	9	2842122-9
OBSOLETE	14.0	8	2842122-8
OBSOLETE	12.0	7	2842122-7
	10.0	6	2842122-6
	8.0	5	2842122-5
	6.0	4	2842122-4
	4.0	3	2842122-3
	2.0	2	2842122-2

THIS DRAWING IS A CONTROLLED DOCUMENT.

DWN	01AUG2019	ANKIT YADAV
CHK	14AUG2019	KARTHIK JK
APVD	16AUG2019	PRASHANTH S

TE Connectivity

NAME: AMPMODU 2mm BREAKAWAY HEADER, SINGLE ROW, RIGHT ANGLE, 0.1 Au, BULK

SIZE	CAGE CODE	DRAWING NO	RESTRICTED TO
A2	00779	C-2842122	-

SCALE	SHEET	OF	REV
5:1	1	1	A2

CONTACT PIN	2
HOUSING	1
DESCRIPTION	ITEM NO.