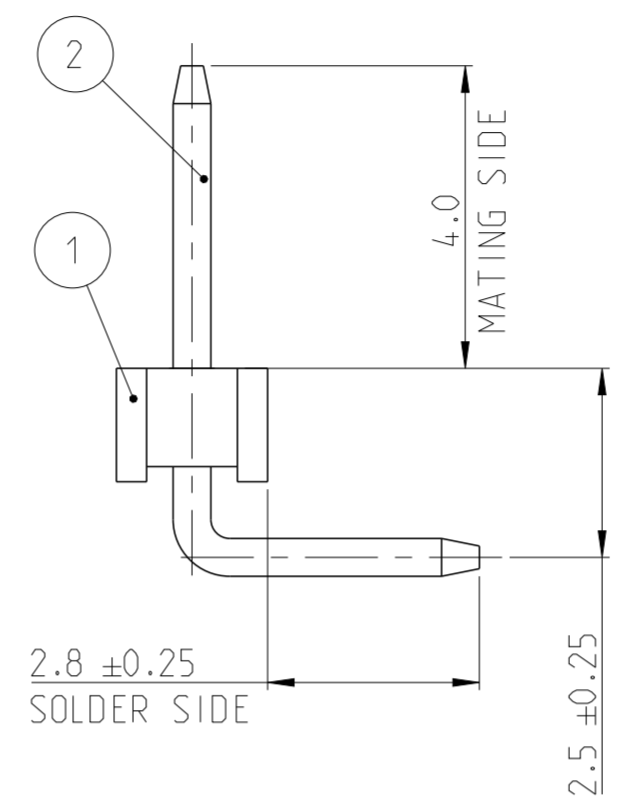
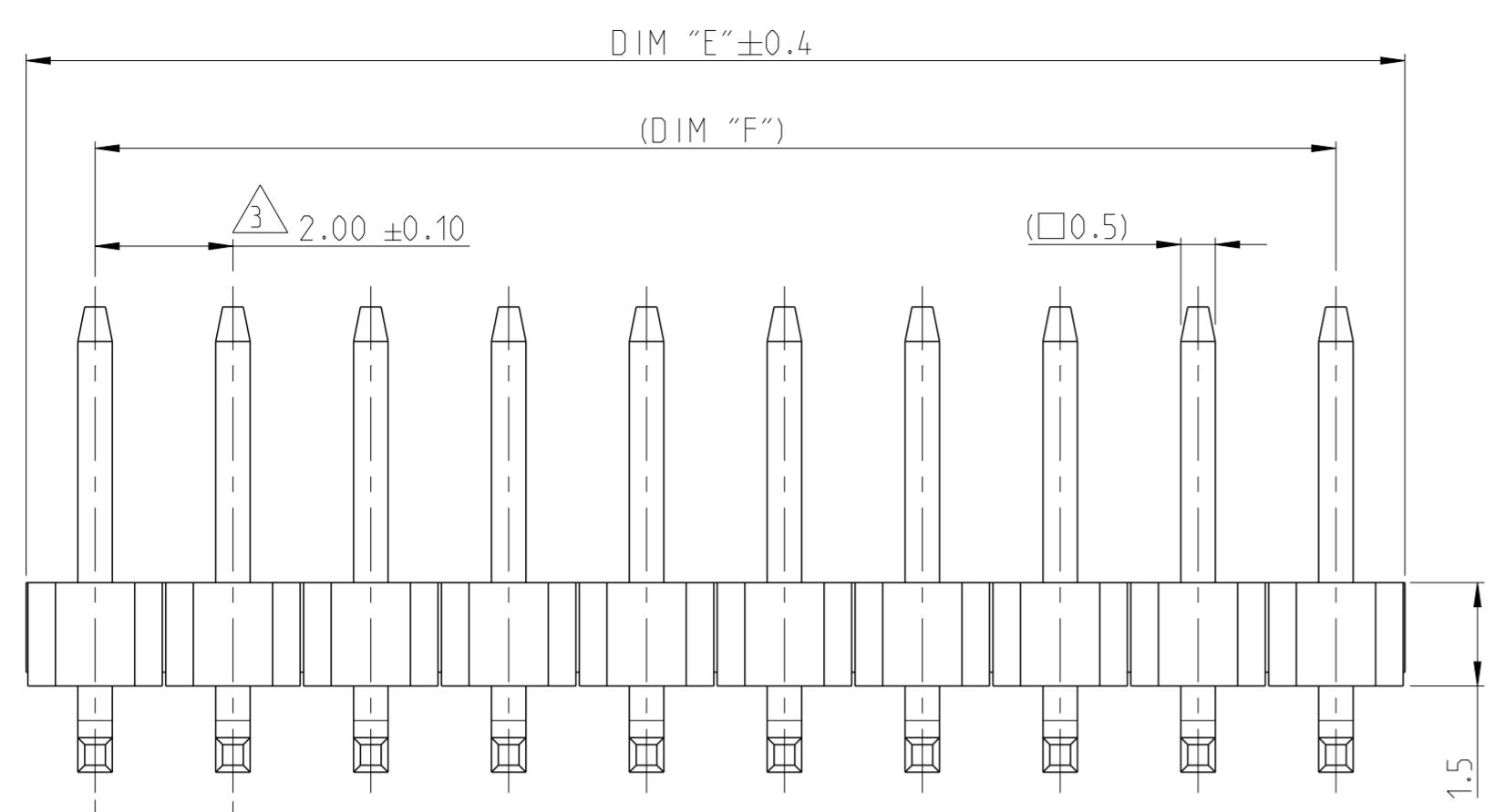
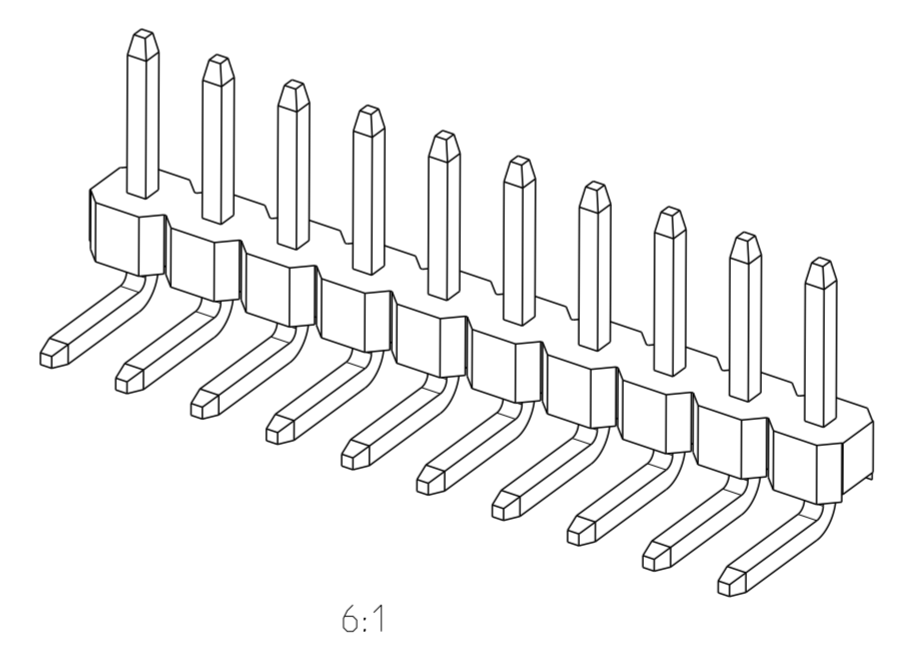
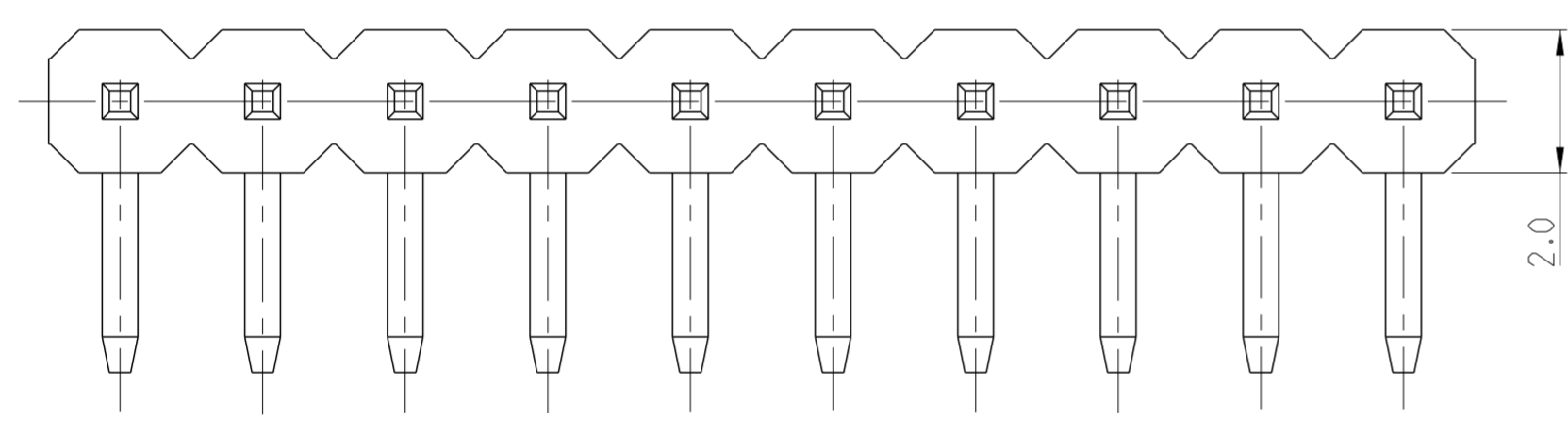


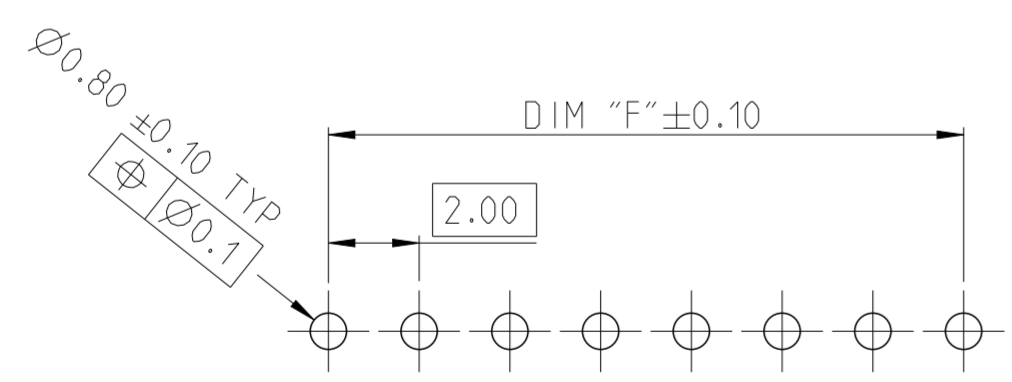
REVISIONS				
P	LTR	DESCRIPTION	DATE	APVD
A		RELEASE TO PRODUCTION	27AUG2019	AY PS
A1		REMOVED TOLERANCE FROM DIM F	17DEC2019	AY PS
A2		PARTS OBSOLESCENCE	22JUN2023	BGC PS



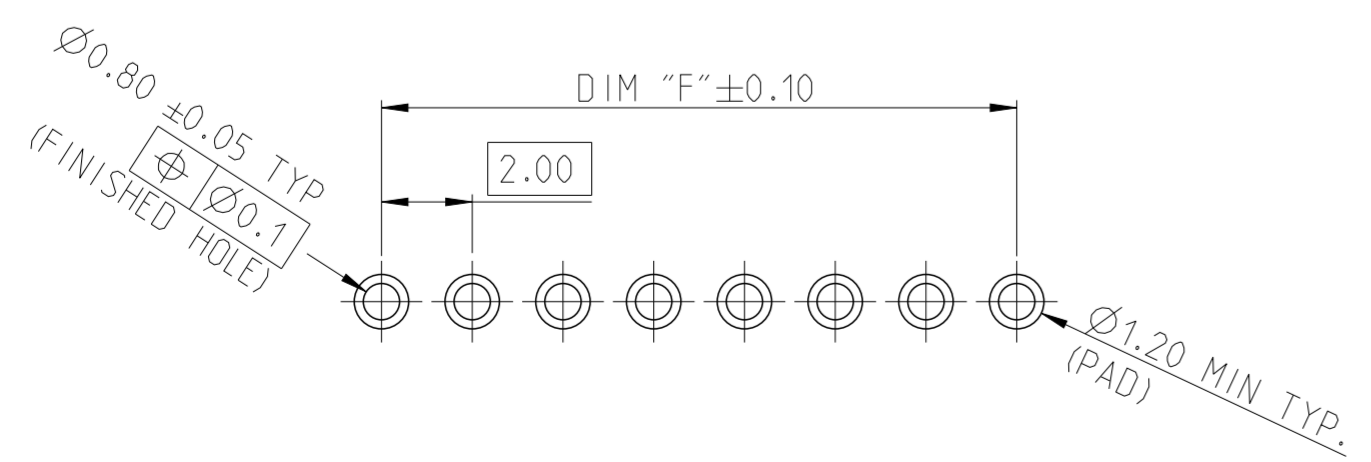
- NOTES:
- MATERIAL
HOUSING : HIGH TEMPERATURE THERMOPLASTIC, UL94-V0; COLOR- BLACK
CONTACT PIN : COPPER ALLOY
FINISH :
MATING SIDE: MIN. 0.76 μm GOLD OVER NICKEL UNDER PLATING.
SOLDER SIDE: MIN. 2.0 μm BRIGHT TIN OVER NICKEL UNDER PLATING.
 - PACKAGING: BULK PACK.
 - TOLERANCE NOT CUMULATIVE.
 - CUTTING BURR MAX. 0.25 mm.



POS	DIM "F"	DIM "E"	TE PN
25	48.0	50.0	2-2842124-5
24	46.0	48.0	2-2842124-4
23	44.0	46.0	2-2842124-3
22	42.0	44.0	2-2842124-2
21	40.0	42.0	2-2842124-1
20	38.0	40.0	2-2842124-0
19	36.0	38.0	1-2842124-9
18	34.0	36.0	1-2842124-8
17	32.0	34.0	1-2842124-7
16	30.0	32.0	1-2842124-6
15	28.0	30.0	1-2842124-5
14	26.0	28.0	1-2842124-4
13	24.0	26.0	1-2842124-3
12	22.0	24.0	1-2842124-2
11	20.0	22.0	1-2842124-1
10	18.0	20.0	1-2842124-0
9	16.0	18.0	2842124-9
8	14.0	16.0	2842124-8
7	12.0	14.0	2842124-7
6	10.0	12.0	2842124-6
5	8.0	10.0	2842124-5
4	6.0	8.0	2842124-4
3	4.0	6.0	2842124-3
2	2.0	4.0	2842124-2



RECOMMENDED PCB HOLE PATTERN FOR THROUGH HOLE WAVE



RECOMMENDED PCB HOLE PATTERN FOR THROUGH HOLE REFLOW /PIN-IN-PASTE

1-2842124-0 AS SHOWN

CONTACT PIN	2
HOUSING	1
DESCRIPTION	ITEM NO.

THIS DRAWING IS A CONTROLLED DOCUMENT.

DIMENSIONS: mm	TOLERANCES UNLESS OTHERWISE SPECIFIED:	DWN ANKIT YADAV 01AUG2019	TE Connectivity
0 PLC ±	1 PLC ±0.2	CHK KARTHIK JK 14AUG2019	
2 PLC ±0.15	3 PLC ±	APVD PRASHANTH S 16AUG2019	NAME AMPMODU 2mm BREAKAWAY HEADER, SINGLE ROW, RIGHT ANGLE, 0.76 Au, BULK
4 PLC ±	ANGLES ±°	PRODUCT SPEC 108-64040	SIZE CAGE CODE DRAWING NO RESTRICTED TO
FINISH -	-	APPLICATION SPEC 114-32259	A2 00779 C-2842124
MATERIAL SEE NOTES	-	WEIGHT -	SCALE 5:1 SHEET 1 OF 1 REV A2
-	-	CUSTOMER DRAWING	