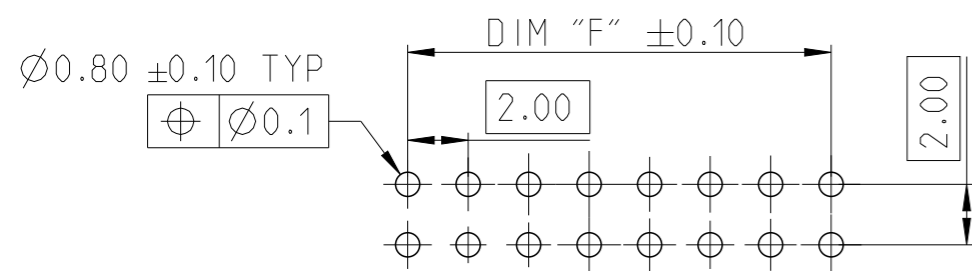
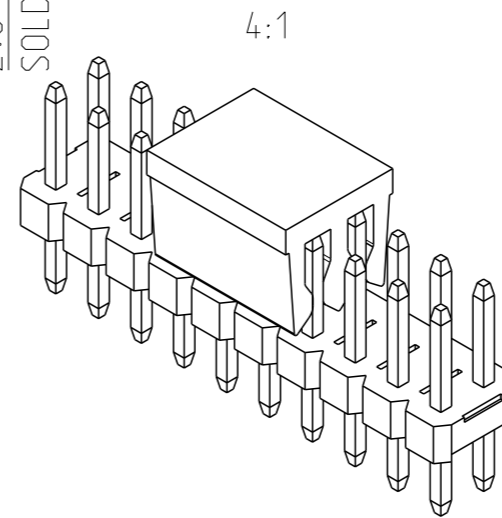
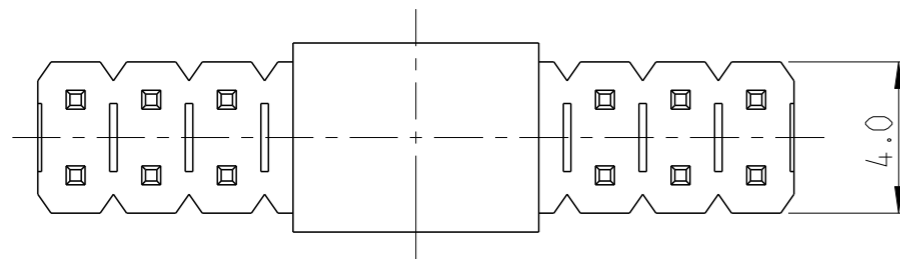
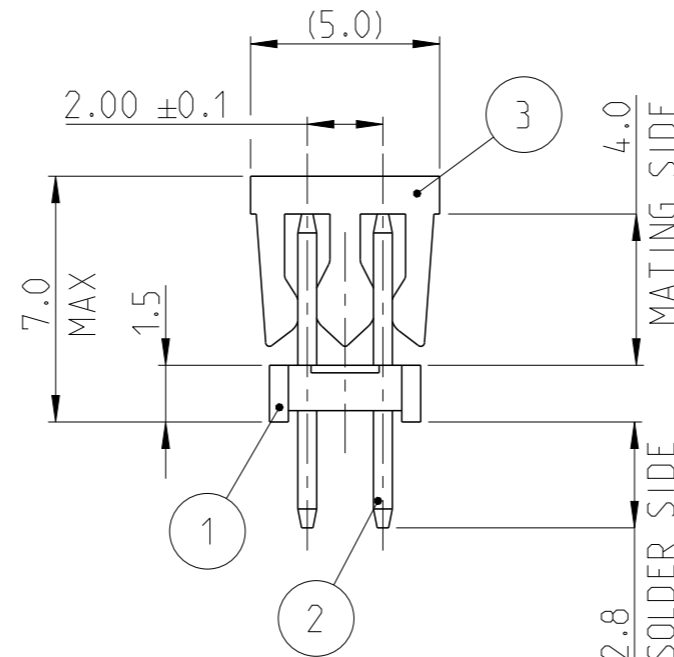
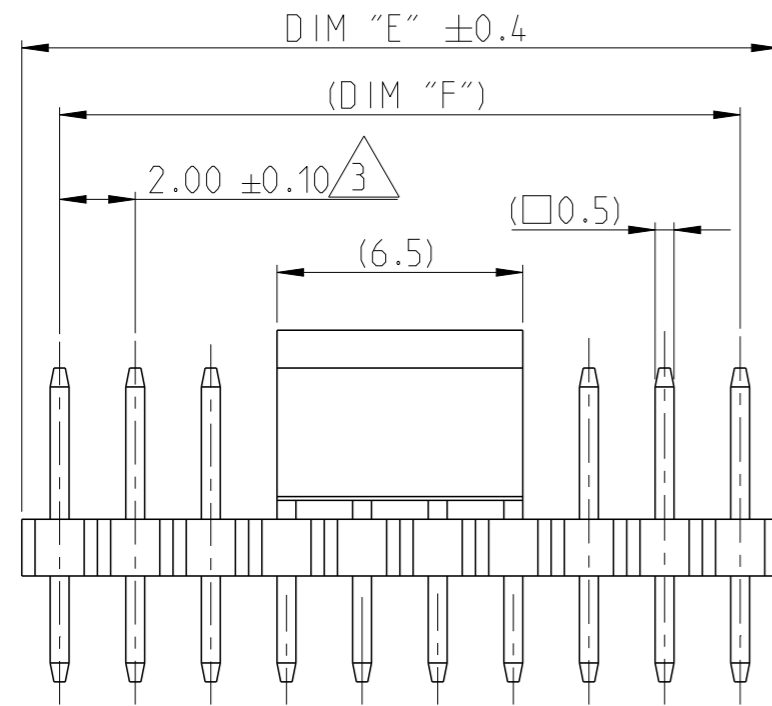


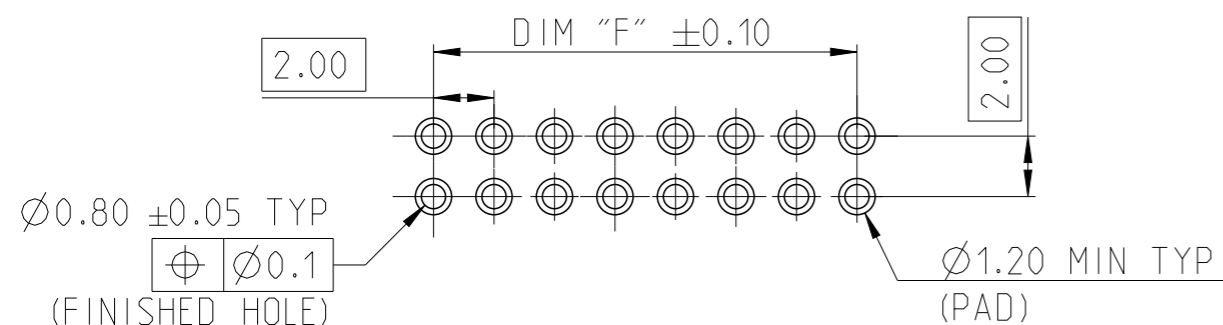
P	LTR	DESCRIPTION	DATE	DWN	APVD
A		PRODUCTION RELEASE	30AUG2019	SS	PS
A1		REMOVED TOLERANCE FROM DIM F	18DEC2019	AY	PS
A2		PARTS OBSOLESCENCE	22JUN2023	BGC	PS

NOTES:

- MATERIAL  
HOUSING & P&P CAP : HIGH TEMPERATURE THERMOPLASTIC, UL94-V0; COLOR- BLACK  
CONTACT PIN : COPPER ALLOY  
FINISH :  
MATING SIDE : MIN. 0.38  $\mu$ m GOLD OVER NICKEL UNDER PLATING.  
SOLDER SIDE : MIN. 2.0  $\mu$ m BRIGHT TIN OVER NICKEL UNDER PLATING.
- PACKAGING: TUBE (WITH PICK AND PLACE CAP).
- $\triangle$  TOLERANCE NOT CUMULATIVE.
- CUTTING BURR MAX. 0.25 mm.



RECOMMENDED PCB HOLE PATTERN FOR THROUGH HOLE WAVE



RECOMMENDED PCB HOLE PATTERN FOR THROUGH HOLE REFLOW/PIN-IN-PASTE

1-2842131-0 AS SHOWN

PICK AND PLACE CAP	3
CONTACT PIN	2
HOUSING	1
DESCRIPTION	ITEM NO.

OBSOLETE	48.0	50.0	25	2-2842131-5
	46.0	48.0	24	2-2842131-4
	44.0	46.0	23	2-2842131-3
	42.0	44.0	22	2-2842131-2
	40.0	42.0	21	2-2842131-1
	38.0	40.0	20	2-2842131-0
	36.0	38.0	19	1-2842131-9
	34.0	36.0	18	1-2842131-8
	32.0	34.0	17	1-2842131-7
	30.0	32.0	16	1-2842131-6
OBSOLETE	28.0	30.0	15	1-2842131-5
	26.0	28.0	14	1-2842131-4
	24.0	26.0	13	1-2842131-3
	22.0	24.0	12	1-2842131-2
	20.0	22.0	11	1-2842131-1
	18.0	20.0	10	1-2842131-0
	16.0	18.0	9	2842131-9
	14.0	16.0	8	2842131-8
	12.0	14.0	7	2842131-7
	10.0	12.0	6	2842131-6
8.0	10.0	5	2842131-5	
6.0	8.0	4	2842131-4	
DIM "F"	DIM "E"	POS. PER ROW	TE PN	

THIS DRAWING IS A CONTROLLED DOCUMENT.		DWN SUBHASREE S 05AUG2019	TE Connectivity		
DIMENSIONS: mm		CHK KARTHIK JK 08AUG2019			
TOLERANCES UNLESS OTHERWISE SPECIFIED:		APVD PRASHANTH S 09AUG2019			
0 PLC $\pm$ 1 PLC $\pm 0.2$ 2 PLC $\pm 0.15$ 3 PLC $\pm$ 4 PLC $\pm$ ANGLES $\pm 2^\circ$		PRODUCT SPEC 108-64040	NAME AMPMODU 2mm BREAKAWAY HEADER, DUAL ROW, VERTICAL, 0.38 Au, TUBE WITH PICK AND PLACE CAP		
MATERIAL SEE NOTES		APPLICATION SPEC 114-32259	SIZE A3	CAGE CODE 00779	DRAWING NO C-2842131
FINISH SEE NOTES		WEIGHT -	RESTRICTED TO -		
CUSTOMER DRAWING			SCALE 5:1	SHEET 1 OF 1	REV A2