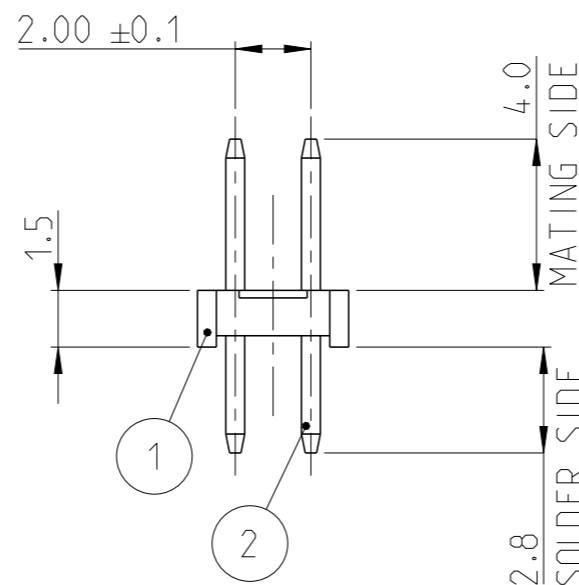
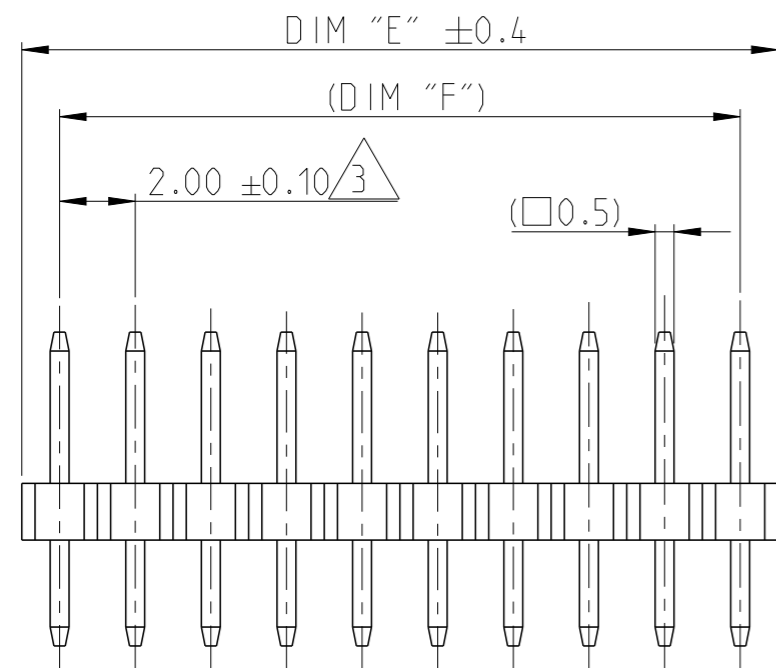
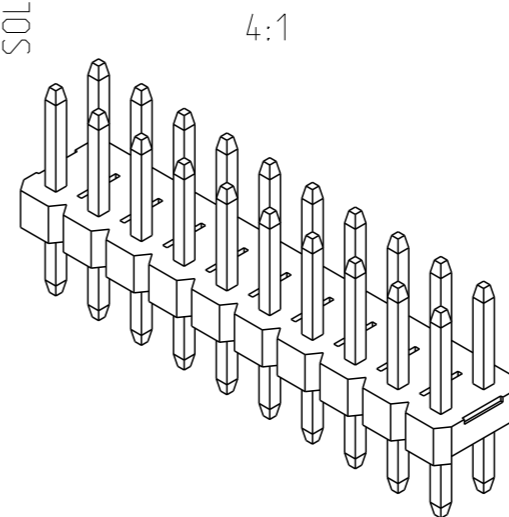
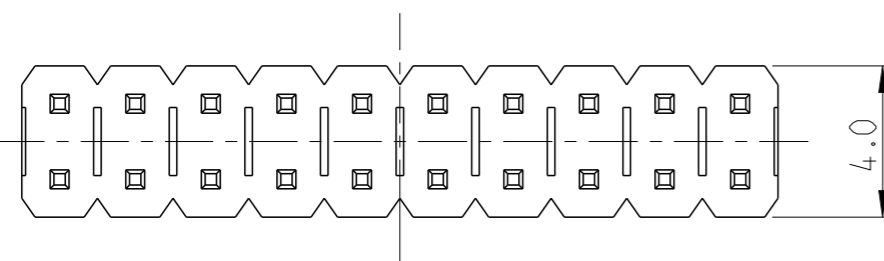


P	LTR	DESCRIPTION	DATE	DWN	APVD
A		PRODUCTION RELEASE	30AUG2019	SS	PS
A1		REMOVED TOLERANCE FROM DIM F	18DEC2019	AY	PS
A2		PARTS OBSOLESCENCE	22JUN2023	BGC	PS

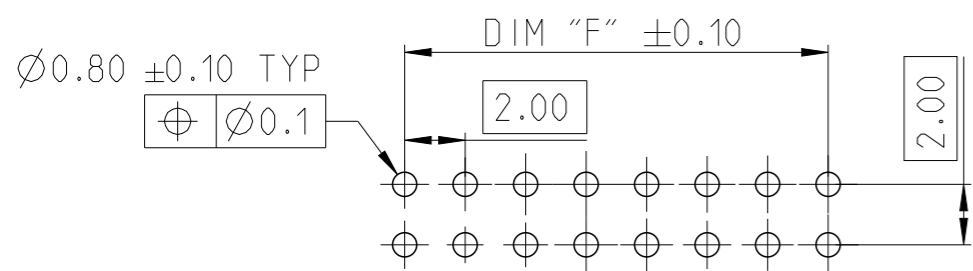


NOTES:

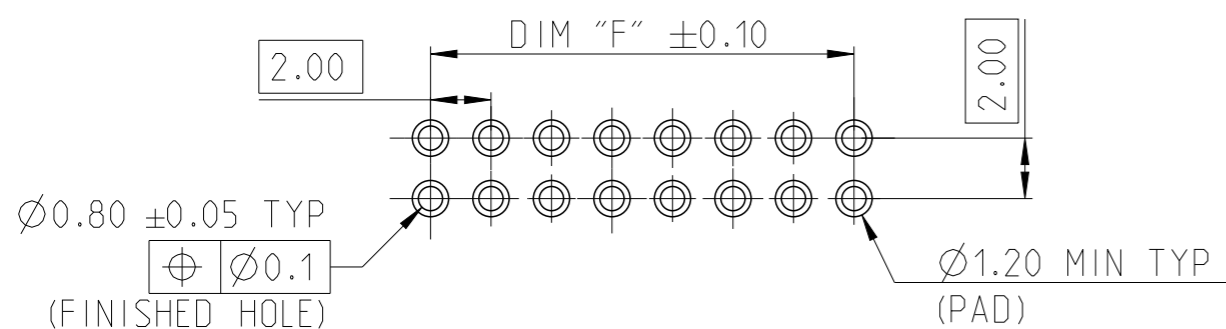
- MATERIAL  
HOUSING : HIGH TEMPERATURE THERMOPLASTIC, UL94-V0; COLOR- BLACK  
CONTACT PIN : COPPER ALLOY  
FINISH :  
MATING SIDE : MIN. 0.76 μm GOLD OVER NICKEL UNDER PLATING.  
SOLDER SIDE : MIN. 2.0 μm BRIGHT TIN OVER NICKEL UNDER PLATING.
- PACKAGING: BULK PACK.
- TOLERANCE NOT CUMULATIVE.
- CUTTING BURR MAX. 0.25 mm.



OBSOLETE	48.0	50.0	25	2-2842140-5
	46.0	48.0	24	2-2842140-4
	44.0	46.0	23	2-2842140-3
	42.0	44.0	22	2-2842140-2
	40.0	42.0	21	2-2842140-1
	38.0	40.0	20	2-2842140-0
	36.0	38.0	19	1-2842140-9
	34.0	36.0	18	1-2842140-8
	32.0	34.0	17	1-2842140-7
	30.0	32.0	16	1-2842140-6
	28.0	30.0	15	1-2842140-5
	26.0	28.0	14	1-2842140-4
	24.0	26.0	13	1-2842140-3
	22.0	24.0	12	1-2842140-2
	20.0	22.0	11	1-2842140-1
18.0	20.0	10	1-2842140-0	
16.0	18.0	9	2842140-9	
14.0	16.0	8	2842140-8	
12.0	14.0	7	2842140-7	
10.0	12.0	6	2842140-6	
8.0	10.0	5	2842140-5	
6.0	8.0	4	2842140-4	
4.0	6.0	3	2842140-3	
2.0	4.0	2	2842140-2	
<b>DIM "F"</b>	<b>DIM "E"</b>	<b>POS. PER ROW</b>	<b>TE PN</b>	



RECOMMENDED PCB HOLE PATTERN FOR THROUGH HOLE WAVE



RECOMMENDED PCB HOLE PATTERN FOR THROUGH HOLE REFLOW/PIN-IN-PASTE

1-2842140-0 AS SHOWN

CONTACT PIN	2
HOUSING	1
<b>DESCRIPTION</b>	<b>ITEM NO.</b>

THIS DRAWING IS A CONTROLLED DOCUMENT.

DIMENSIONS: mm	TOLERANCES UNLESS OTHERWISE SPECIFIED: 0 PLC ±0.2 1 PLC ±0.15 2 PLC ±0.15 3 PLC ±0.15 4 PLC ±0.15 ANGLES ±2°
MATERIAL SEE NOTES	FINISH SEE NOTES

DWN SUBHASREE S 06AUG2019	CHK KARTHIK JK 08AUG2019	APVD PRASHANTH S 09AUG2019
PRODUCT SPEC 108-64040		
APPLICATION SPEC 114-32259		
WEIGHT -		
CUSTOMER DRAWING		

**TE** TE Connectivity

NAME  
AMPMODU 2mm BREAKAWAY HEADER,  
DUAL ROW, VERTICAL, 0.76 Au, BULK

SIZE A3	CAGE CODE 00779	DRAWING NO C-2842140	RESTRICTED TO -
SCALE 5:1		SHEET 1 OF 1	REV A2