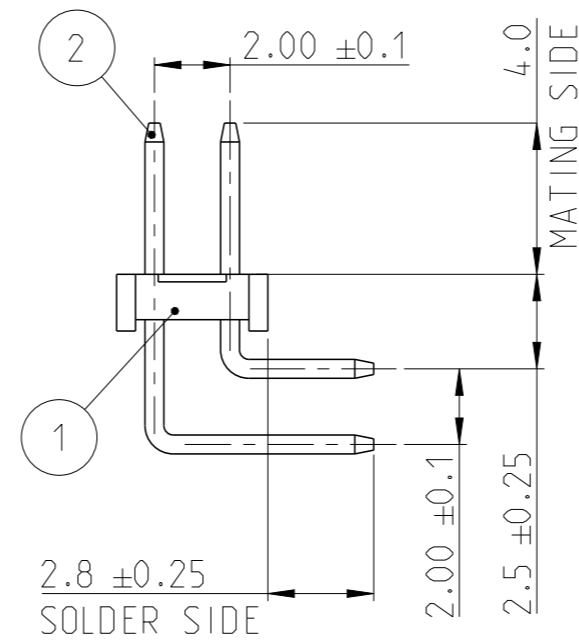
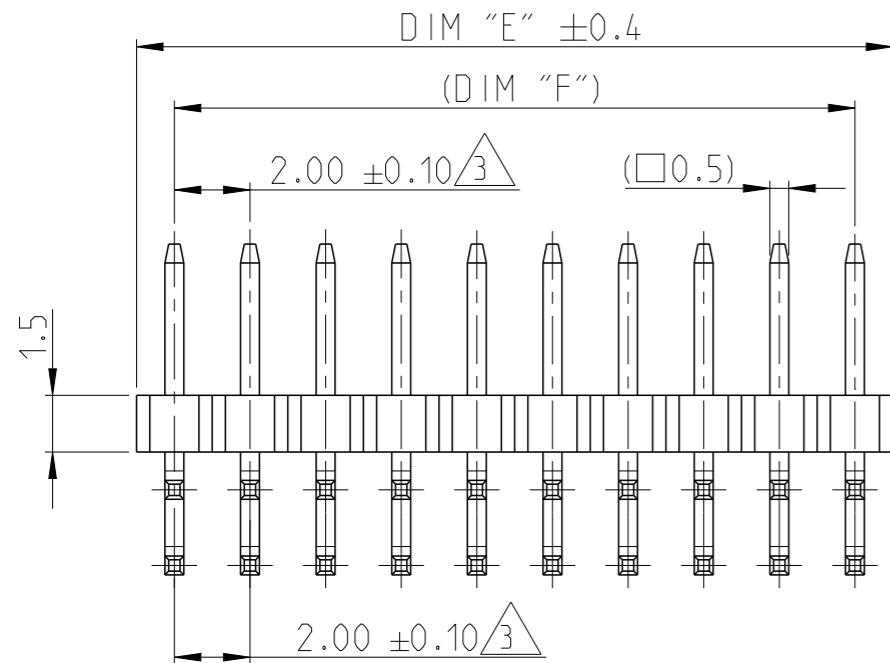
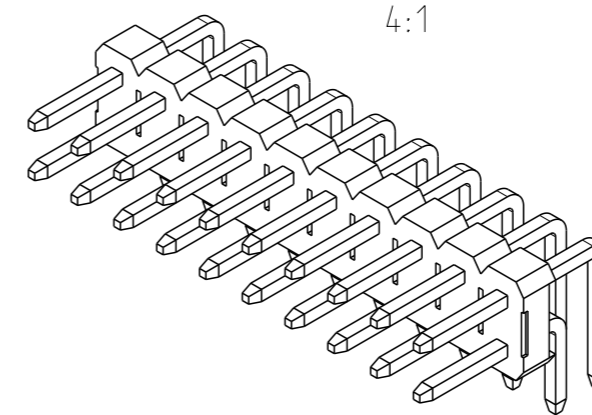
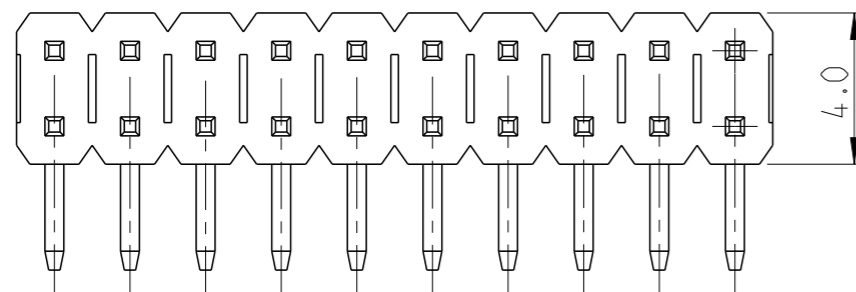


P	LTR	DESCRIPTION	DATE	DWN	APVD
A		PRODUCTION RELEASE	30AUG2019	SS	PS
A1		REMOVED TOLERANCE FROM DIM F	18DEC2019	AY	PS
A2		ADDED POSITION 2 AND 3	11JUN2020	AY	PS
A3		PARTS OBSOLESCENCE	22JUN2023	BGC	PS

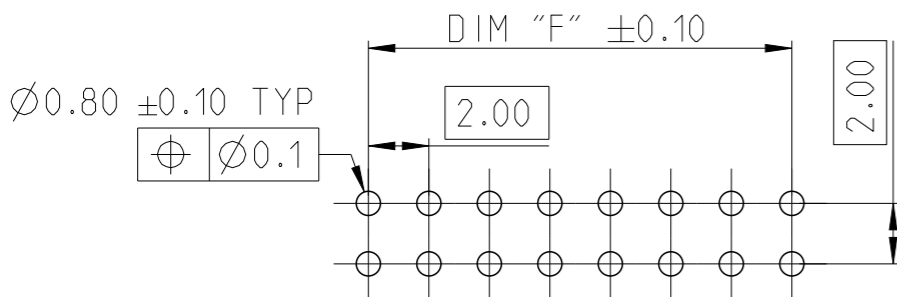


NOTES:

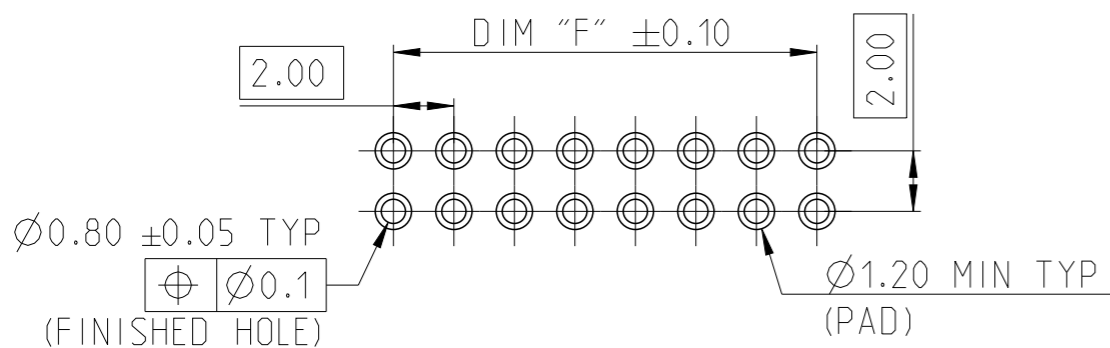
- MATERIAL
HOUSING : HIGH TEMPERATURE THERMOPLASTIC, UL94-V0; COLOR- BLACK
CONTACT PIN : COPPER ALLOY
FINISH :
MATING SIDE : MIN. 0.1 μm GOLD OVER NICKEL UNDER PLATING.
SOLDER SIDE : MIN. 2.0 μm BRIGHT TIN OVER NICKEL UNDER PLATING.
- PACKAGING: TUBE.
- TOLERANCE NOT CUMULATIVE.
- CUTTING BURR MAX. 0.25 mm



	DIM "F"	DIM "E"	POS. PER ROW	TE PN	
OBSOLETE	48.0	50.0	25	2-2842150-5	
	46.0	48.0	24	2-2842150-4	
	44.0	46.0	23	2-2842150-3	
	42.0	44.0	22	2-2842150-2	
	40.0	42.0	21	2-2842150-1	
	38.0	40.0	20	2-2842150-0	
	36.0	38.0	19	1-2842150-9	
	34.0	36.0	18	1-2842150-8	
	32.0	34.0	17	1-2842150-7	
	30.0	32.0	16	1-2842150-6	
OBSOLETE	28.0	30.0	15	1-2842150-5	
	26.0	28.0	14	1-2842150-4	
	24.0	26.0	13	1-2842150-3	
	22.0	24.0	12	1-2842150-2	
	20.0	22.0	11	1-2842150-1	
	18.0	20.0	10	1-2842150-0	
	OBSOLETE	16.0	18.0	9	2842150-9
		14.0	16.0	8	2842150-8
		12.0	14.0	7	2842150-7
		10.0	12.0	6	2842150-6
8.0		10.0	5	2842150-5	
6.0		8.0	4	2842150-4	
4.0		6.0	3	2842150-3	
2.0		4.0	2	2842150-2	



RECOMMENDED PCB HOLE PATTERN FOR THROUGH HOLE WAVE



RECOMMENDED PCB HOLE PATTERN FOR THROUGH HOLE REFLOW /PIN-IN-PASTE

1-2842150-0 AS SHOWN

CONTACT PIN	2
HOUSING	1
DESCRIPTION	ITEM NO.

THIS DRAWING IS A CONTROLLED DOCUMENT.

DWN SUBHASREE S 08AUG2019

CHK KARTHIK JK 13AUG2019

APVD PRASHANTH S 14AUG2019

DIMENSIONS:	TOLERANCES UNLESS OTHERWISE SPECIFIED:
mm	
0 PLC	±
1 PLC	±0.2
2 PLC	±0.15
3 PLC	±
4 PLC	±
ANGLES	±2°

MATERIAL SEE NOTES FINISH SEE NOTES

PRODUCT SPEC 108-64040

APPLICATION SPEC 114-32259

WEIGHT -

CUSTOMER DRAWING

NAME AMPMODU 2mm BREAKAWAY HEADER, DUAL ROW, RIGHT ANGLE, 0.1 Au, TUBE

SIZE A3 CAGE CODE 00779 DRAWING NO C-2842150 RESTRICTED TO -

SCALE 5:1 SHEET 1 OF 1 REV A3