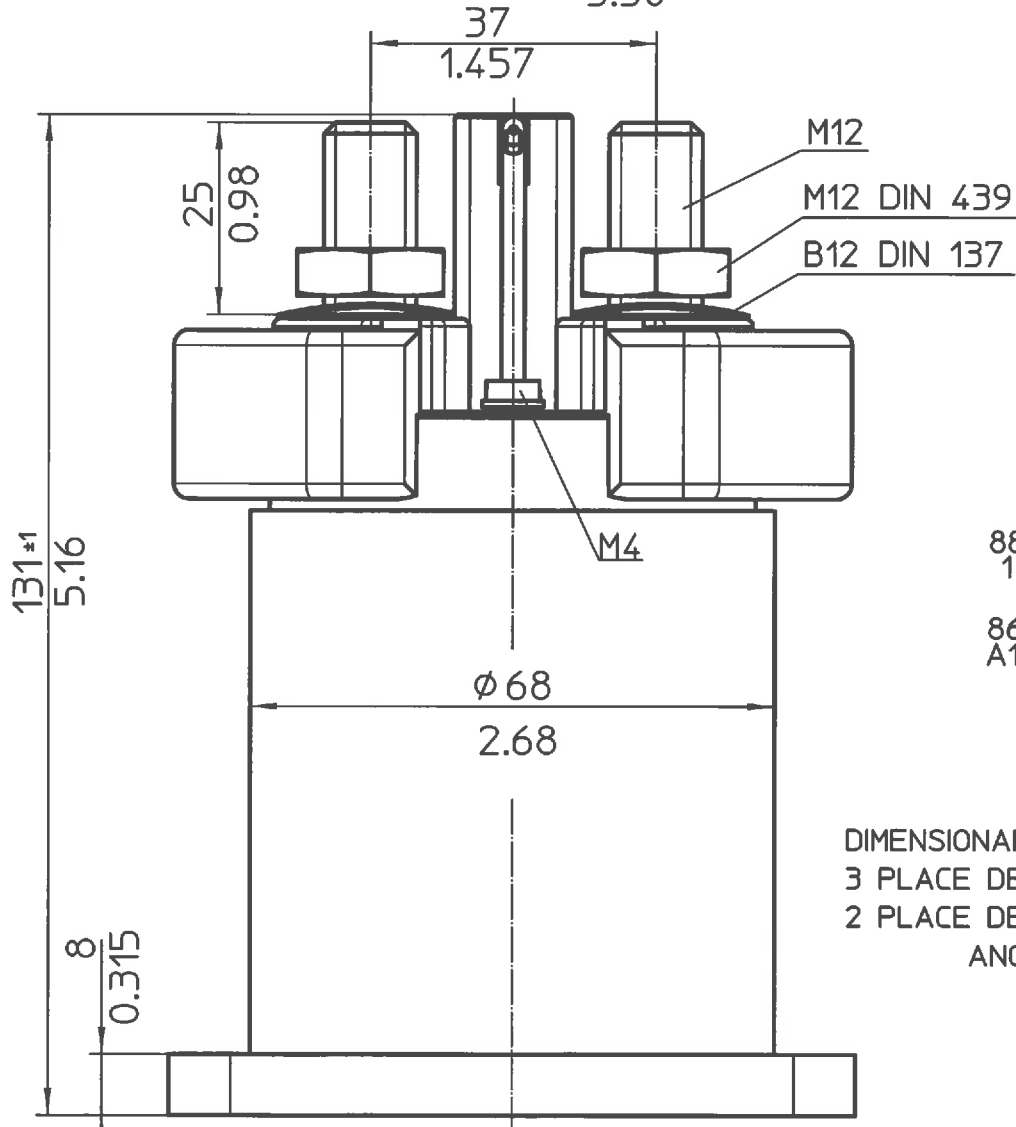
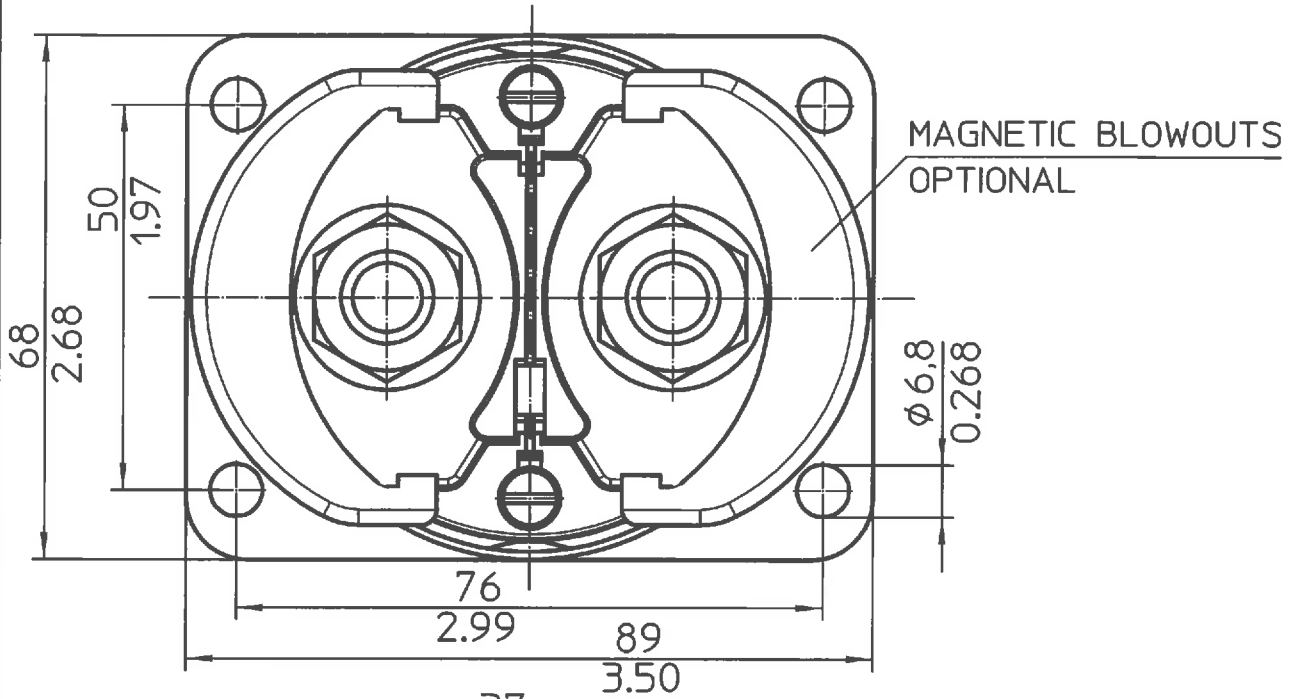
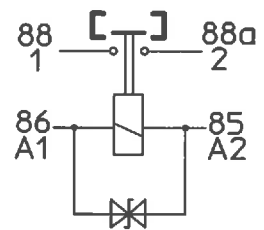


500AMP. POWER RELAY

ENVIRONMENTALLY SEALED BOTTOM MOUNTING SUPPRESSION DEVICE MAGNETIC BLOWOUTS OPTIONAL



CIRCUIT



DIMENSIONAL TOLERANCES
3 PLACE DECIMAL ± 0.010
2 PLACE DECIMAL ± 0.03
ANGULAR $\pm 0^{\circ}30'$

Third Angle Projection



	Date	Name	mm	Scale	 Elektrotechnik - GmbH & Co KG D - 72218 Wildberg	Drawing No:
Drawn	06.05.2004	Hamar		1:1		29-513-1...
Check	02.04.2014	Kaise	General Tolerances DIN ISO 2768 cL			NSN.:

