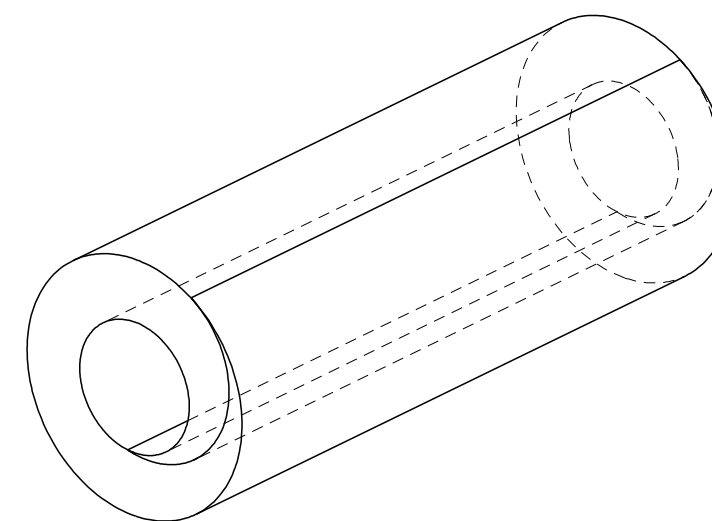
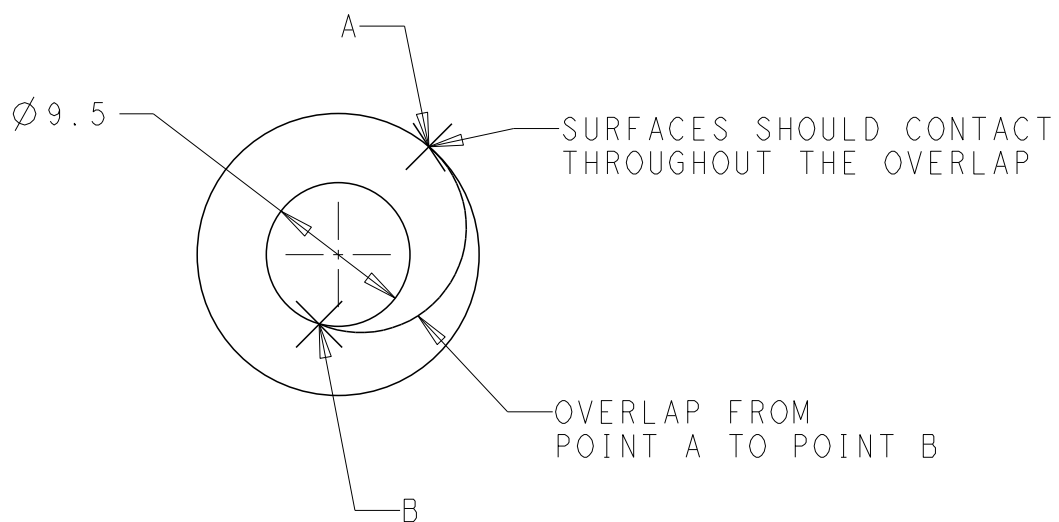


REVISIONS

P	LTR	DESCRIPTION	DATE	DWN	APVD
	A	NEW DRAWING	05FEB2016	KR	I.B



ISO METRIC VIEW

NOTES:

1. 9.5, ± 1.5mm I/D MAXIMUM IN NATURAL STATE .
2. MATERIAL THICKNESS 4.6, ±0.50mm.
3. OVERLAP 24.9mm MINIMUM.
4. LENGTH 2 X 15M, -0 /+0.5M.

NOTES	UOM	QTY.	PART DESCRIPTION	ITEM No.
Instruction	PC	1	PII-55790	1
Cable Ties	BAG	2	CPGI-CTY-11-50-BLK-Q	2
MVCC GREY	M	2X15M	MVCC-G-10/.40(S30)	3

THIS DRAWING IS A CONTROLLED DOCUMENT.		DWN RAGHU 05FEB2016															
DIMENSIONS: mm		CHK IAN BOND 05FEB2016				NAME MVCC-G-10/.40(S30)											
TOLERANCES UNLESS OTHERWISE SPECIFIED:		APVD DONALD BARRETT 05FEB2016				PRODUCT SPEC -											
<table border="0"> <tr><td>0 PLC</td><td>±</td></tr> <tr><td>1 PLC</td><td>±0.5</td></tr> <tr><td>2 PLC</td><td>±0.13</td></tr> <tr><td>3 PLC</td><td>±0.013</td></tr> <tr><td>4 PLC</td><td>±0.0001</td></tr> <tr><td>ANGLES</td><td>±</td></tr> </table>		0 PLC				±	1 PLC	±0.5	2 PLC	±0.13	3 PLC	±0.013	4 PLC	±0.0001	ANGLES	±	APPLICATION SPEC -
0 PLC	±																
1 PLC	±0.5																
2 PLC	±0.13																
3 PLC	±0.013																
4 PLC	±0.0001																
ANGLES	±																
MATERIAL -	FINISH -	WEIGHT -	CAGE CODE -	DRAWING NO C-3-1899834-0	RESTRICTED TO -												
CUSTOMER DRAWING			SCALE 2:1	SHEET 1 OF 1	REV A												