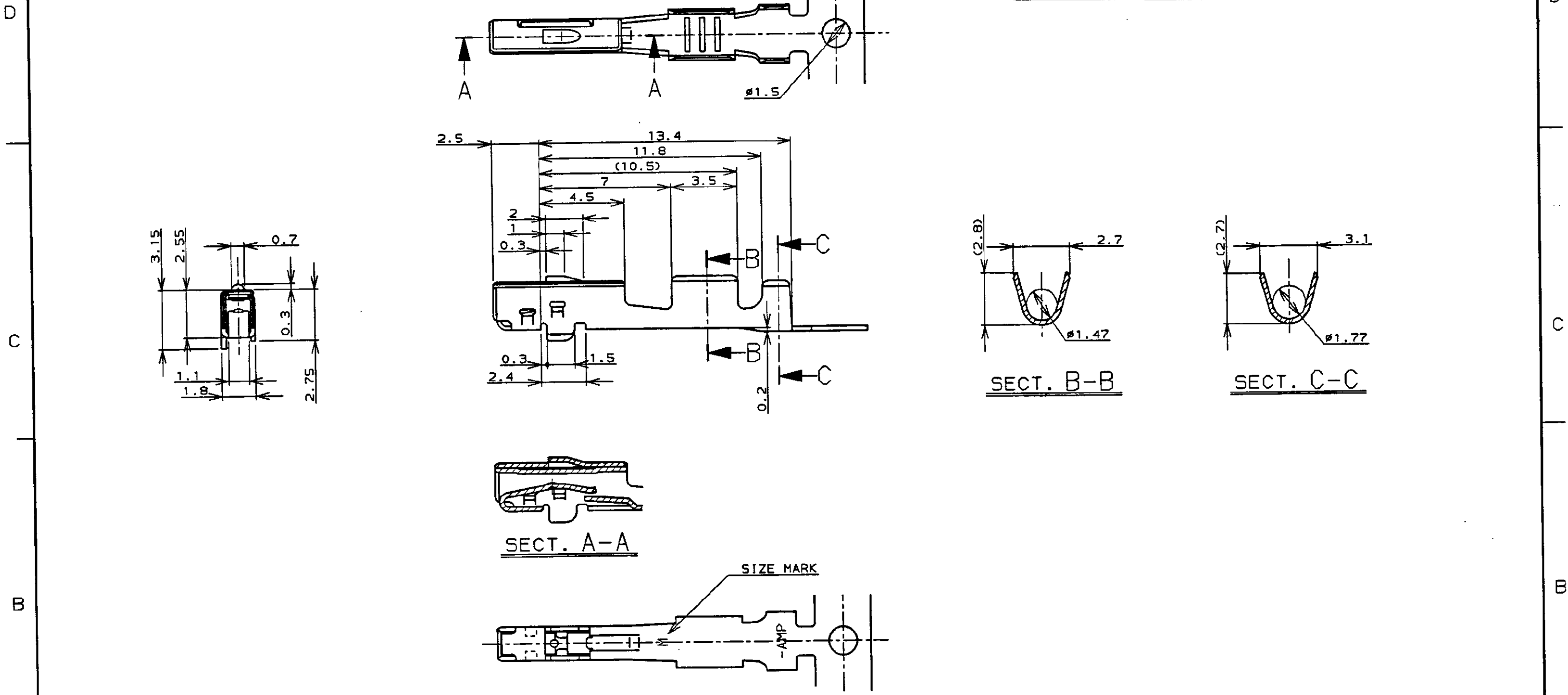


| LOC | | DIST | | REVISIONS | | | | |
|-----|-----|-------------|-------|--------------|----------|------|----|--|
| P | LTR | DESCRIPTION | ECN | DATE | DWN | APVD | | |
| J | - | 0 | DRAWN | FJ00-4529-95 | 4/24 '96 | JY | MS | |



- 注記,
 1. 適用電線 : AVSS,CAVS 0.85-1.25mm²
 AVS 0.5mm², CAVUS 1.25mm²
 2. 取付適用規格番号 ; 114-5217

- NOTES;
 1. APPLICABLE WIRE RANGE ;
 AVSS,CAVS 0.85-1.25mm²
 AVS 0.5mm², CAVUS 1.25mm²
 2. APPLICATION SPEC NO ; 114-5217

| | |
|---|--|
| THIS DRAWING IS A CONTROLLED DOCUMENT FOR AMP INCORPORATED. IT IS SUBJECT TO CHANGE AND THE CONTROLLING ENGINEERING ORGANIZATION SHOULD BE CONTACTED FOR THE LATEST REVISION. | |
| DIMENSIONS: 単位: 毫 mm | TOLERANCES UNLESS OTHERWISE SPECIFIED 一般公差 10% : ±0.2 30% : ±0.25 100% : ±0.3 ANGLE : ±3° |
| MATERIAL 材料 Cu ALLOY 銅合金 | FINISH 仕上 SEE TABLE 表参照 |

| |
|--|
| DWN J. Kobayashi 4/24 '96 |
| CHK J. Kobayashi 4/25 '96 |
| APVD N. Sai 4/25 '96 |
| PRODUCT SPEC 製品規格 - H - |
| APPLICATION SPEC 取付適用規格 114-5217 |
| WEIGHT 0.3g |
| CUSTOMER DRAWING |

| | |
|---|--------------------|
| PRE-TIN (すずめっき済) | 316838-1 |
| FINISH (仕上) | PART NUMBER (型番) |
| AMP 日本エー・エム・ピー株式会社 Kawasaki, Japan | |
| .040 III UNSEALED CONTACT, RECEPTACLE (M) Sn | |
| SIZE A3 | CAGE CODE 00779 |
| DRAWING NO C-316838 | |
| SCALE 尺度 5-1 | SHEET 1 OF 1 REV 0 |