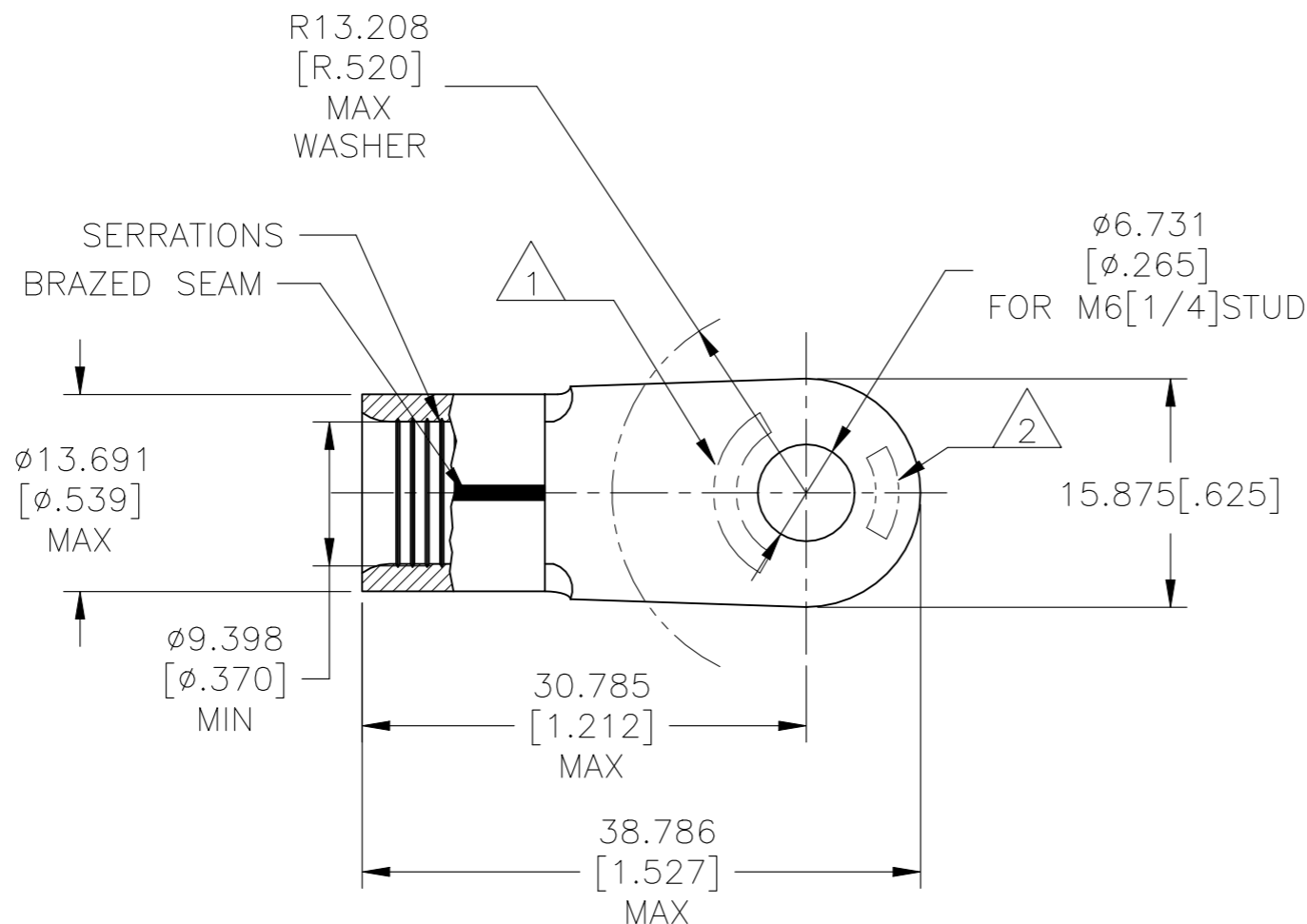


REVISIONS

P	LTR	DESCRIPTION	DATE	DWN	APVD
	K1	ECN-22-150900	27APR2022	RK	SCD



AMP WIRE RANGE	E13288 Listed
2 AWG SOLID OR STRANDED	2 AWG STRANDED

LR7189 Certified
2 AWG SOLID OR STRANDED

- STAMP AMP 2W* APPROX AS SHOWN.
- STAMP 60-75 APPROX AS SHOWN.
- 3 MATERIAL THK: 1.778±0.076[.070±.003].
- TIN PLATE 0.00254[.000100] MIN EXT THK PER ASTM B545.
- GOLD PLATE 0.00127[.000050] MIN. EXT. THK. PER MIL-G-45204 OVER NICKEL PLATE 0.00076 [0.000030] MIN. EXT. THK. PER SAE AMS QQ-N-290. OVER CU FLASH PER SAE AMS2418

NICKEL PLATE 0.00762[.000300] MIN. EXT. THK. PER SAE AMS QQ-N-290.

PRODUCT SPECIFICATION UL 486A-B

PRODUCT SPECIFICATION 108-32046, APPLICATION SPECIFICATION 114-2162

6 NOTE DELETED

	25		170°C[338°F] MAX		8-320383-3
	50		343°C[649°F] MAX		2-320383-2
	50	LOOSE PIECE	260°C[500°F] MAX		2-320383-1
	50		170°C[338°F] MAX		320383-1
	50		170°C[338°F] MAX		320383
	QTY.	PACKAGE TYPE	MAX RECOMMENDED TEMPERATURE	FINISH	PART NO

**AMP INCORPORATED
CUSTOMER SERVICE SYSTEMS**

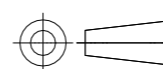
MAX RECOMMENDED OPERATING TEMPERATURE:
SEE TABLE

VOLTAGE RATING:
NOT APPLICABLE

WIRE CROSS SECTIONAL AREA RANGE:
26.7-42.4mm²[52,600-83,700] CIR MILS
SOLID OR STRANDED

THIS DRAWING IS A CONTROLLED DOCUMENT.

DIMENSIONS:
mm [INCHES]



TOLERANCES UNLESS OTHERWISE SPECIFIED:

0 PLC	± -
1 PLC	± -
2 PLC	± -
3 PLC	± 0.127[.005]
4 PLC	± -
ANGLES	± -

MATERIAL
COPPER PER ASTM B152 ANNEALED

FINISH
SEE TABLE

DWN	DK SCHRUM	5/24/93
CHK	RD HEIM	1/27/94
APVD	RE ROSER	1/27/94
PRODUCT SPEC		
APPLICATION SPEC		
WEIGHT	-	

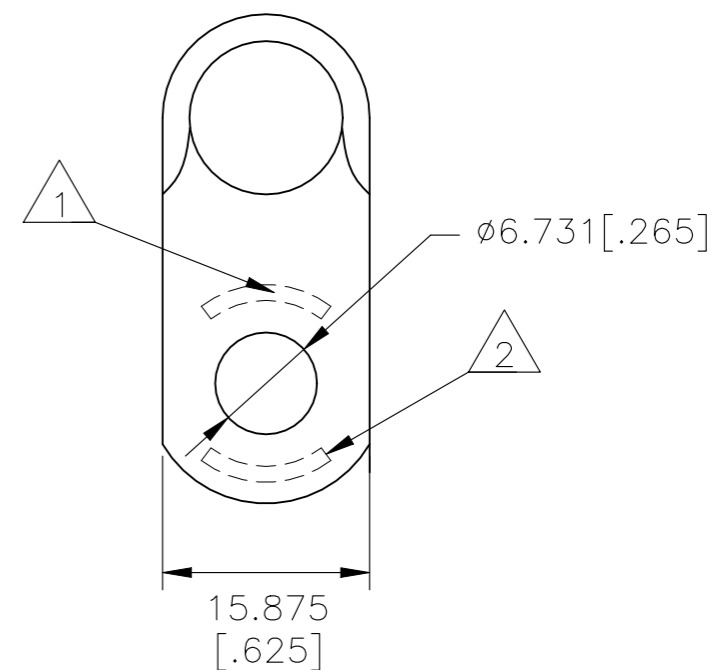
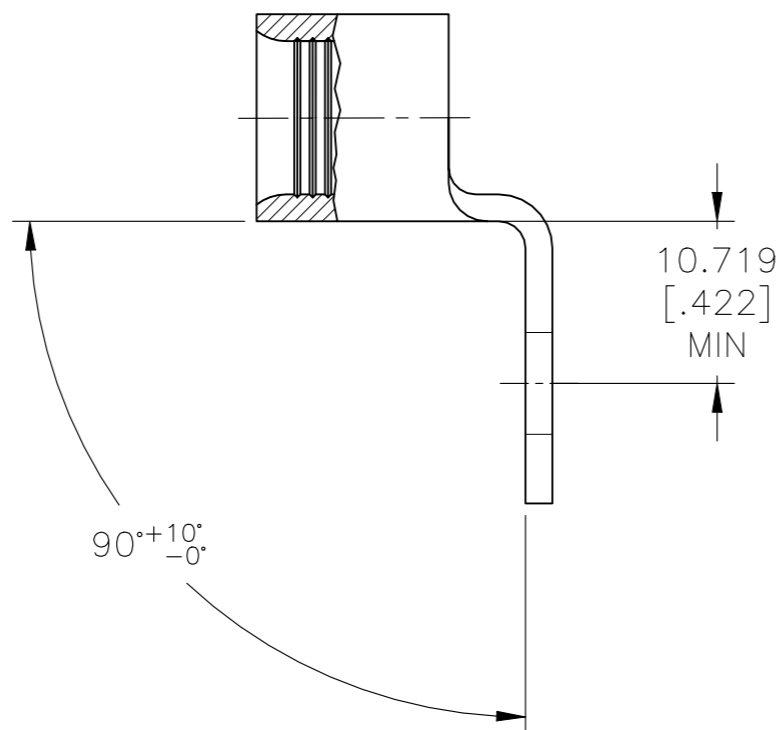


NAME
TERMINAL, RING TONGUE, SOLISTRAND AND STRATO-THERM HR, WIRE SIZE: 2 AWG


SIZE	CAGE CODE	DRAWING NO	RESTRICTED TO
A3	-	C-320383	-

FOR ADDITIONAL PRODUCT INFORMATION OR COPIES OF DRAWINGS AND TECHNICAL DOCUMENTS	PRODUCT INFORMATION CENTER 1-800-522-6752
FOR APPLICATION TOOLING INFORMATION	TOOLING ASSISTANCE CENTER 1-800-722-1111
FOR ORDER ENTRY	1-800-526-5142

REVISIONS					
P	LTR	DESCRIPTION	DATE	DWN	APVD
-	-	SEE SHEET 1	-	-	-



320383-1 ONLY

THIS DRAWING IS A CONTROLLED DOCUMENT.		DWN DK SCHRUM 5/24/93	 TE Connectivity Ltd.														
DIMENSIONS: mm [INCHES]		CHK RD HEIM 1/27/94															
TOLERANCES UNLESS OTHERWISE SPECIFIED:		APVD RE ROSER 1/27/94	NAME TERMINAL, RING TONGUE, SOLISTRAND AND STRATO-THERM HR, WIRE SIZE: 2 AWG														
<table border="0"> <tr><td>0 PLC</td><td>± -</td></tr> <tr><td>1 PLC</td><td>± -</td></tr> <tr><td>2 PLC</td><td>± -</td></tr> <tr><td>3 PLC</td><td>± 0.127[.005]</td></tr> <tr><td>4 PLC</td><td>± -</td></tr> <tr><td>ANGLES</td><td>± -</td></tr> </table>		0 PLC	± -	1 PLC	± -	2 PLC	± -	3 PLC	± 0.127[.005]	4 PLC	± -	ANGLES	± -	PRODUCT SPEC -	RESTRICTED TO -		
0 PLC	± -																
1 PLC	± -																
2 PLC	± -																
3 PLC	± 0.127[.005]																
4 PLC	± -																
ANGLES	± -																
MATERIAL COPPER PER ASTM B-152		FINISH SEE TABLE	APPLICATION SPEC -	SIZE A3	CAGE CODE -	DRAWING NO C-320383	SCALE 2:1	SHEET 2 OF 2	REV K1								
CUSTOMER DRAWING																	