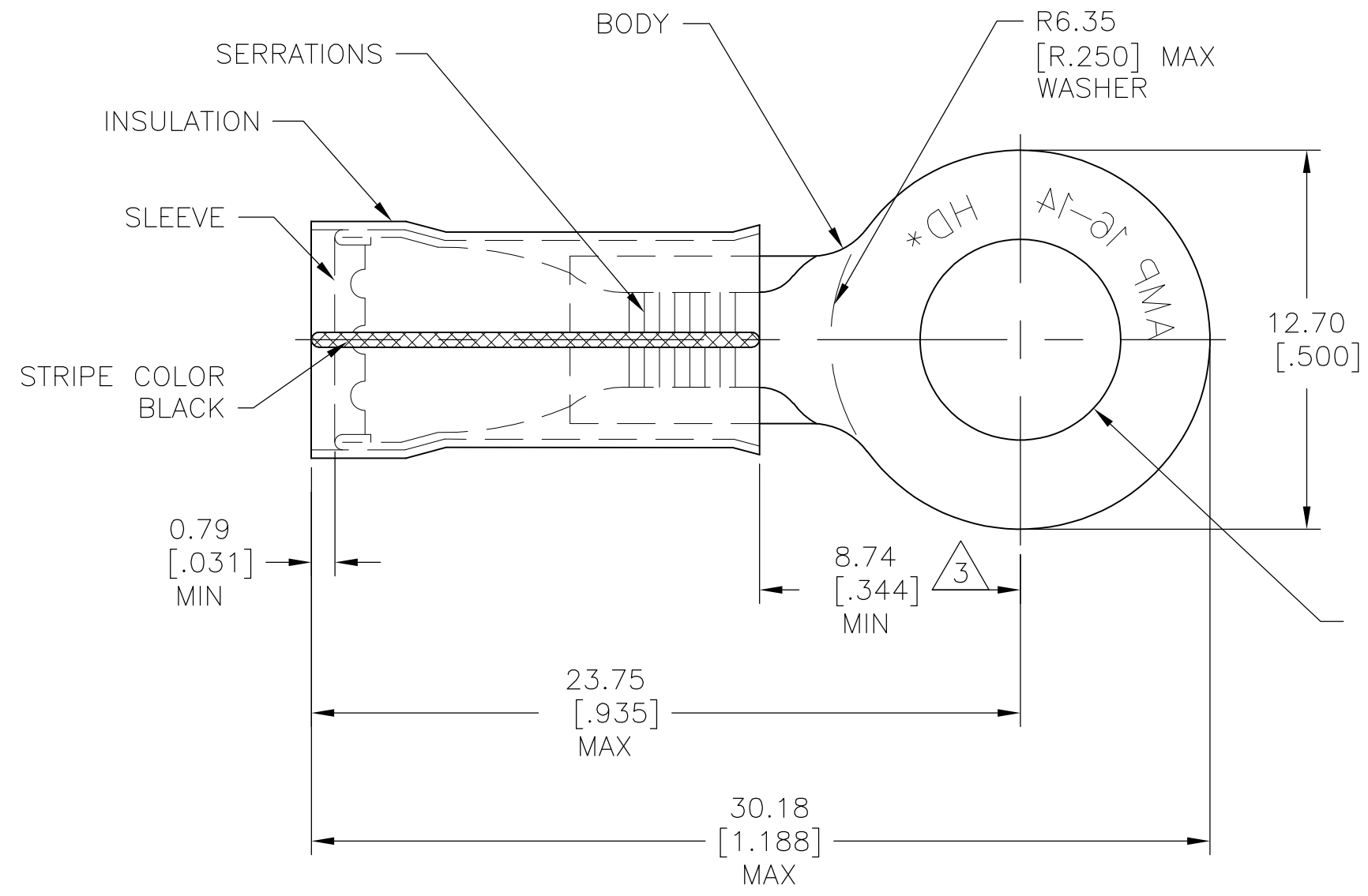


THIS DRAWING IS UNPUBLISHED. RELEASED FOR PUBLICATION
 © COPYRIGHT - By - ALL RIGHTS RESERVED.

LOC	DIST	REVISIONS			
P	LTR	DESCRIPTION	DATE	DWN	APVD
G	14	F	REVISED PER ECO-14-015277	25FEB2015	NK DR



- 1 FOR 3.81[.150] TO 6.35[.250] WIRE INSULATION DIA.
- 2 TONGUE MATERIAL THK: 1.22±0.05[.048±.002].
- 3 APPLIES FROM THE METAL EDGE OF THE BARREL TO THE CENTER OF THE STUD.

QTY	DESCRIPTION	MATERIAL & FINISH	PART NO
1	323682 ON TAPE	BODY: COPPER (ASTM-B152) TIN PL (ASTM-B545)	2-323682-1
1	WIRE TERMINAL	SLEEVE: COPPER (ASTM-B152) INSULATION: YELLOW NYLON	323682

THIS DRAWING IS A CONTROLLED DOCUMENT.		DWN RAGHAVENDRA 27AUG09	STE TE Connectivity	
DIMENSIONS: mm [INCHES]		CHK JEFF RUTH 27AUG09		
TOLERANCES UNLESS OTHERWISE SPECIFIED:		APVD TOM MICHIELUTTI 27AUG09	NAME	
0 PLC ± -		PRODUCT SPEC	TERMINAL, NYLON-PIDG - RING TONGUE WIRE SIZE: 16-14 HD	
1 PLC ± -		APPLICATION SPEC	SIZE	CAGE CODE
2 PLC ± -		WEIGHT	DRAWING NO	
3 PLC ± 0.20 [0.008]		CUSTOMER DRAWING	RESTRICTED TO	
4 PLC ± -			A3 00779 C-323682	
ANGLES ± 5°		SCALE 5:1	SHEET 1 OF 1	REV F
MATERIAL SEE TABLE	FINISH SEE TABLE			