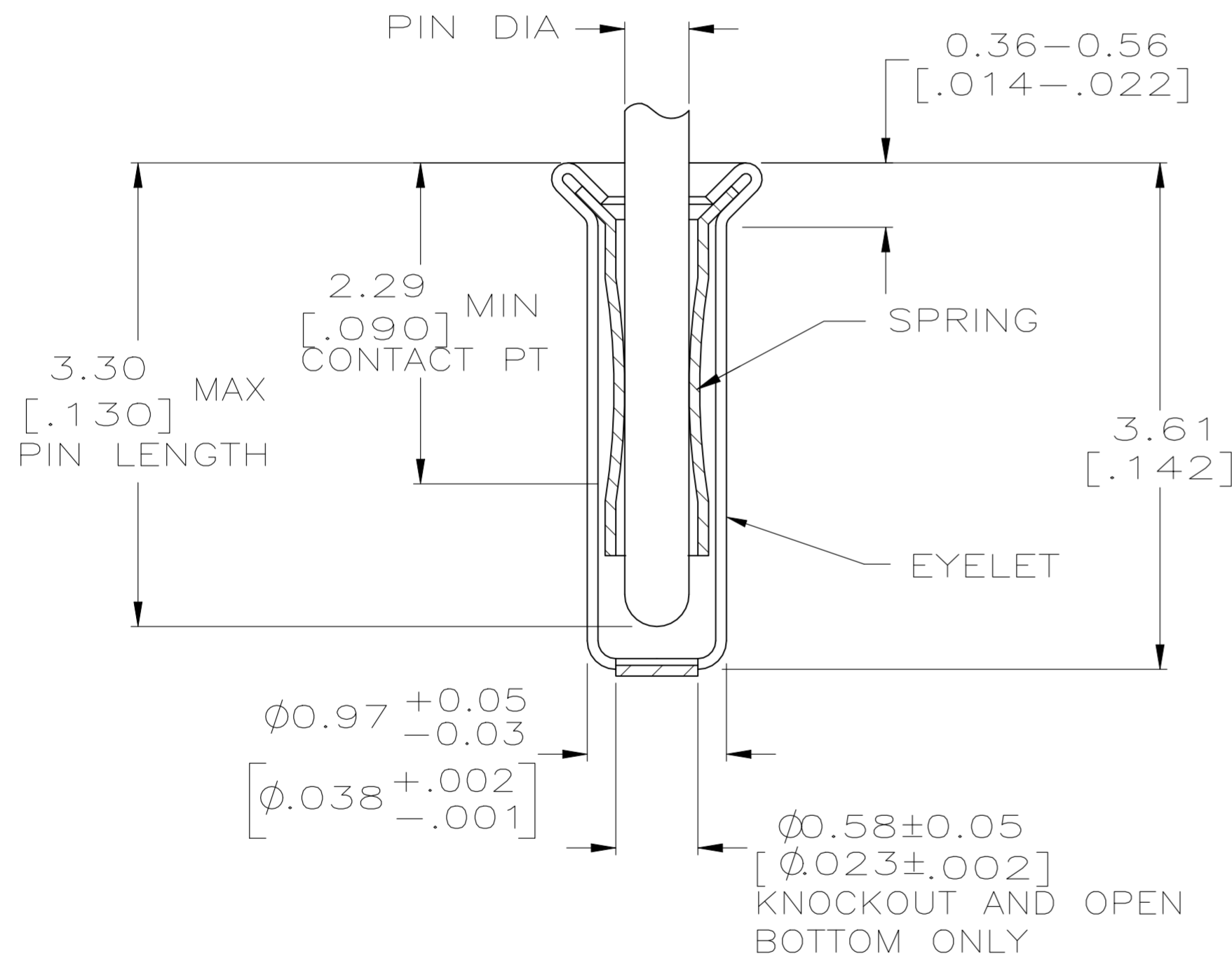
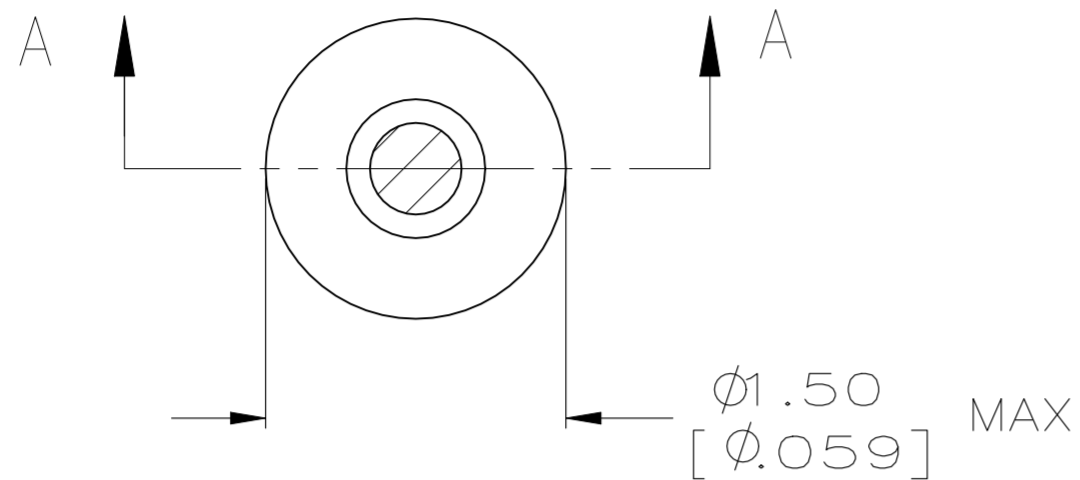


REVISIONS					
P	LTR	DESCRIPTION	DATE	DWN	APVD
CB7		REVISED AS PER ECR-24-199424	07FEB2024	NR	JK



SECTION A-A

9 OBSOLETE PARTS: OBSOLETE CIS STREAMLINING PER D.RENAUD/D.SINISI

- 1 TIN PER MIL-T-10727 OR TIN LEAD .000254 [.000100] MIN THK.
- 2 GOLD PER MIL-G-45204, TYPE II, 0.00076 [.000030] MIN THK OVER NICKEL PER QQ-N-290 0.00028 [.000011] MIN THK ON CONTACT AREA.
- 3 GOLD FLASH PER MIL-G-45204, TYPE II, 0.13 $\mu$ m [.000005] MIN THK. OVER NICKEL PLATE PER QQ-N-290 0.51 $\mu$ m-1.52 $\mu$ m [.000020-.000060] EXT THK.
- 4. RECOMMENDED HOLE SIZE, PLATED OR UNPLATED:  
MACHINE INSERTION: 1.04 $\pm$ 0.05 [.041 $\pm$ .002]  
HAND INSERTION: 1.02  $^{+0.10}_{-0.00}$  [.040  $^{+0.004}_{-0.000}$ ]
- 5. APPLICATION TOOL PART NUMBER:  
MACHINE NO. 682127-2  
INSERTION HEAD NO. 682039-1
- 6 TO INSURE PROPER SPRING TENSION DO NOT EXCEED A 0.10 [.004] DIFFERENCE IN PIN DIA WHEN CHANGING TO A SMALLER PIN.
- 7. BOTTOM PLUG KNOCKOUT TOOL PART NUMBER 69729 WITH TIP PART NUMBER 69728.
- 8 MATERIAL: SPRING: BERYLLIUM COPPER (QQ-C-533)  
EYELET: COPPER (QQ-C-576)

OBSCLETE	CLOSED	0.33-0.51 [.013-.020]	GOLD 3	GOLD 2	9-330808-3
		0.33-0.51 [.013-.020]	TIN 1	TIN 1	9-330808-2
			GOLD 3	GOLD 2	7-330808-5
			TIN 1	TIN 1	7-330808-4
			GOLD 3	GOLD 2	7-330808-3
			TIN 1	TIN 1	7-330808-2
SUPSD BY 5-330808-3	KNOCKOUT	0.46-0.51 [.018-.020]	GOLD 3	GOLD 2	7-330808-1
SUPSD BY 3-330808-8			TIN 1	TIN 1	7-330808-0
9 OBSOLETE	OPEN		TIN 1	TIN 1	6-330808-9
OBSOLETE			GOLD 3	GOLD 2	6-330808-8
OBSOLETE			TIN 1	TIN 1	6-330808-7
	CLOSED	0.33-0.51 [.013-.020]	TIN 1	GOLD 2	6-330808-5
OBSOLETE	OPEN	0.25-0.33 [.010-.013]	TIN 1	GOLD 2	5-330808-6
	KNOCKOUT	0.33-0.51 [.013-.020]	TIN 1	GOLD 2	5-330808-4
SUPSD BY 5-330808-3			GOLD 3	GOLD 2	5-330808-3
SUPSD BY 5-5330808-4	CLOSED	0.25-0.33 [.010-.013]	TIN 1	TIN 1	5-330808-1
			GOLD 3	GOLD 2	5-330808-0
OBSOLETE	OPEN	0.33-0.51 [.013-.020]	TIN 1	TIN 1	4-330808-8
OBSOLETE			GOLD 3	GOLD 2	4-330808-7
9 OBSOLETE			TIN 1	TIN 1	4-330808-2
OBSOLETE			TIN 1	TIN 1	4-330808-1
	KNOCKOUT	0.33-0.51 [.013-.020]	GOLD 3	GOLD 2	3-330808-8
OBSOLETE			TIN 1	TIN 1	3-330808-7
OBSOLETE			TIN 1	TIN 1	3-330808-1
	CLOSED	0.33-0.51 [.013-.020]	GOLD 3	GOLD 2	2-330808-8
			TIN 1	TIN 1	2-330808-7
SUPSD BY 5-330808-0			GOLD 3	GOLD 2	2-330808-2
OBSOLETE			TIN 1	TIN 1	2-330808-1
	BOTTOM TYPE	RECOMMENDED PIN DIA 6	EYELET	SPRING	PART NO

THIS DRAWING IS A CONTROLLED DOCUMENT. DWN R. TALLEY 4-5-91  
CHK S. ROBERTSON 8-22-91  
APVD R. MILLER 8-22-91

DIMENSIONS: mm [INCHES] TOLERANCES UNLESS OTHERWISE SPECIFIED:  
0 PLC ± -  
1 PLC ± -  
2 PLC ± -  
3 PLC ± 0.20 [.008]  
4 PLC ± -  
ANGLES ± -

MATERIAL FINISH SEE TABLE WEIGHT 0.000000

TE Connectivity  
MINIATURE SPRING SOCKET ASSEMBLY

SIZE A2 CAGE CODE 00779 DRAWING NO C-330808 RESTRICTED TO -  
SCALE 20:1 SHEET 1 OF 1 REV CB7