

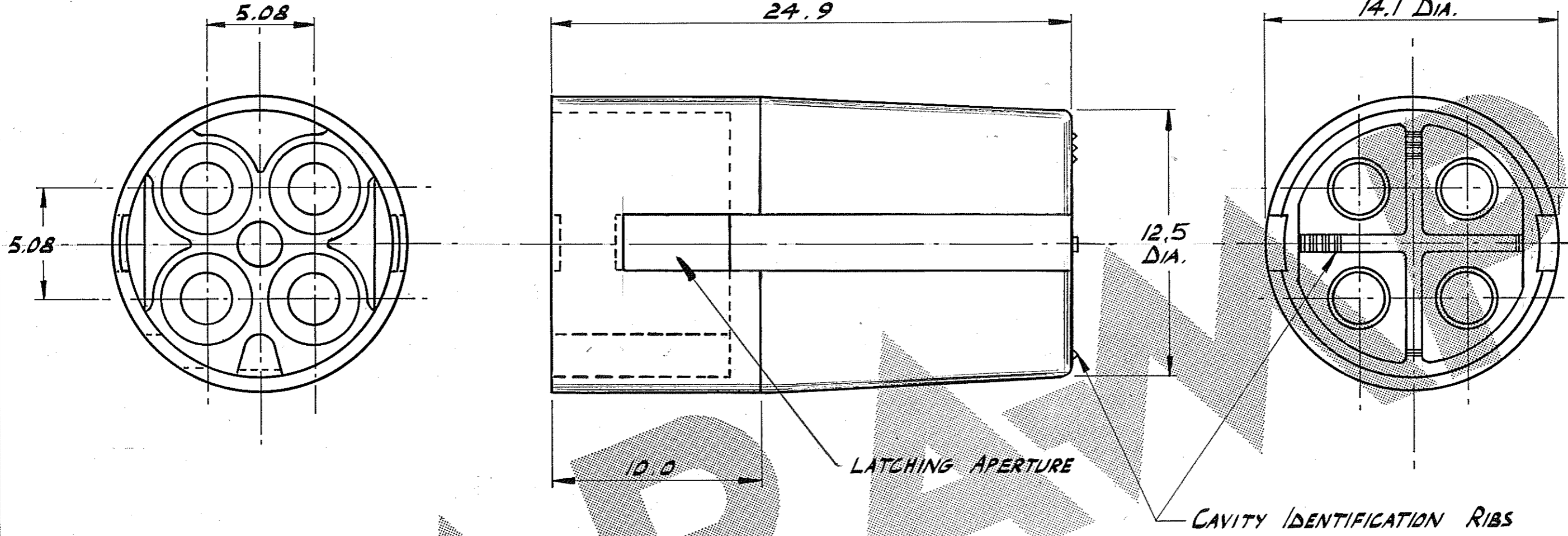
8 7 6 5 4 3 2 1

3rd ANGLE (AMERICAN) PROJECTION

METRIC DRAWING

DIMENSIONS IN M.M., DO NOT SCALE PRINT

NUMBER C 342376



NOTES

1. THIS PART MATES WITH PART No 342375-1

| | | |
|----------|----------|---------|
| 342376-1 | NYLON | NATURAL |
| PART No | MATERIAL | FINISH |

© AMP of GREAT BRITAIN LTD 1981
 CUSTOMER COPY REFERENCE ONLY
 MATERIAL AND FINISH SEE TABLE
AMP of Great Britain Ltd.
 TERMINAL HOUSE, STANMORE, MIDDX.

| | | | |
|-----|--------------------|------|--------|
| 2 | 12.5 DIM. WAS 12.6 | KS | 3-9-82 |
| 1 | PRELIMINARY ISSUE | A.H. | 2-3-82 |
| ISS | REVISION RECORD | DR | CHK |
| DR | A. HOWARD 18/2/81 | DE | |
| CHK | 1/1/82 | APP | 3/3/82 |

| | | | |
|---|-------|-----|----------|
| TOLERANCE EXCEPT AS NOTED | SCALE | LOC | NO |
| ± 0.5 | 5:1 | E B | C 342376 |
| 4 WAY CIRCULAR MATE-N-LOK "LATCHED PIN HOUSING" | | | |

WAS CP 81-027-02

PRINT DIST.

55 8 7 6 5 4 3 2 1 JAF 505