

REVISIONS

P	LTR	DESCRIPTION	DATE	DWN	APVD
	A	TE STANDARD	24APR2024	KS	RB

EC No.

Battery Disconnecter 200A

Page 1 of 1

Circuit

Technical Data:

Case Material	PA GF black
Switch Lever Material	PA GF red
Min. Insulation Resistance	100M0hm
Dielectric Withstanding Voltage	1050V-1min.
Max. Contact Drop during Resistive Load	150mV
Voltage	up to 32VDC
Duty Rating	200A
Overload	500A-180sec. 1000A-30sec.
Sealing	IP 67/ IEC 529
Vibration	4G / 50-2000Hz
Shock G-Level	6G / 11ms
Weight	~140g / 0.31 Pound
Temperature Range	-40°C to +85°C
Wire Section (at nominal Load)	min. 70mm ²
Mounting Position	optional
Switch Lever	removeable
Max. Torque (Main Contacts)	12-13Nm

Date	Name	mm	Scale
08.03.2012	Seege	↔	1:1
22.02.2018	Grind		

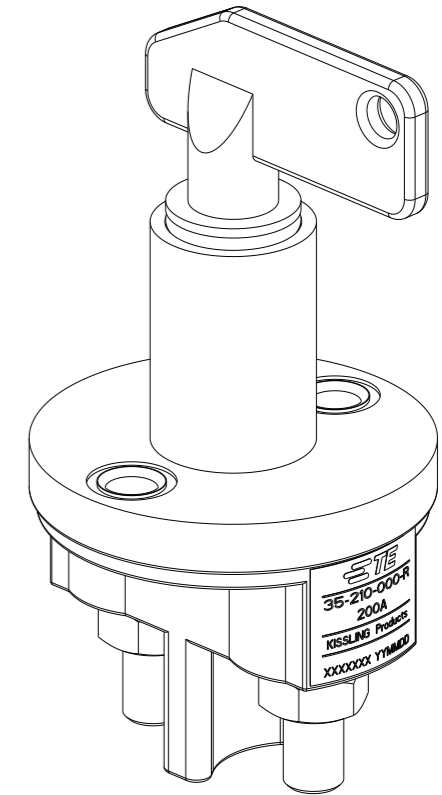
Drawing No: 35-210-000-R

NSN:

NOTE
Bemerkungen:

1 TE-CONNECTIVITY ORDER-NUMBER
TE-connectivity Bestellnummer

2 DO NOT SWITCH UNDER LOAD!
Nicht unter Last schalten!



K1122409	1	A	BATTERY DISCONNECTOR 200A Batterietrennschalter 200A	1
TE ORDER-NO.	REV.		DESCRIPTION	ITEM NO

THIS DRAWING IS A CONTROLLED DOCUMENT.

DWN	K.Seeger	08MAR2012
CHK	K.Seeger	08MAR2012
APVD	U.Grindemann	22FEB2018

DIMENSIONS:	TOLERANCES UNLESS OTHERWISE SPECIFIED:
mm	DIN ISO 2768 cL
	0 PLC ±
	1 PLC ±
	2 PLC ±
	3 PLC ±
	4 PLC ±
ANGLES	±
MATERIAL	FINISH

PRODUCT SPEC	
APPLICATION SPEC	
WEIGHT	

BATTERY DISCONNECTOR 200A
Batterietrennschalter 200A

SIZE	CAGE CODE	DRAWING NO	RESTRICTED TO
A3	00779	35-210-000-R	-

CUSTOMER DRAWING

SCALE 1:1

SHEET 1 OF 1

REV A