

Technical Data

Environmental characteristics:

Temperatur range	-40°C to +85°C
Sealing	IP67 / IEC 529
Vibration	4G / 50-2000Hz
Shock G-Level	6G / 11msec
Weight	~175g / 0.38 Pound

Electrical characteristics:

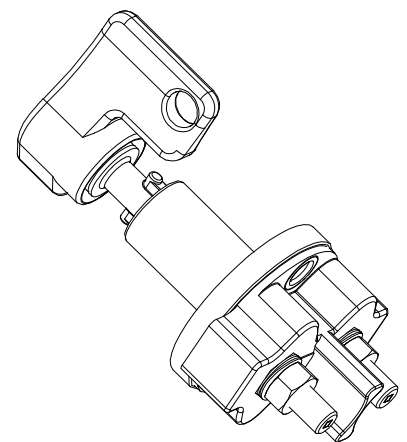
Min. Isulation resistance; initial	100MOHM
Dielectric withstanding voltage	1050V - 1min
Max. contact drop during Resistive Load	150mV
Voltage	80VDC
Duty Rating	250A-
Overload (Carrying)	500A-180sec
.....	1000A-30sec

Operating Life characteristics:

Mechanical Life	10 000 Cycles
Lifecycles @ 200A/80VDC	100 Cycles
Lifecycles @ 300A/80VDC	10 Cycles

General Characteristics

Case Material	PA GF black
Switch Lever Material	PA GF red
Wire Section (at nominal load)	min. 70 mm ²
Switch Lever	removeable
Max Torque (Main Contacts)	12-13Nm



1:2

Date	Name	mm	Scale		Drawing No:
12.09.2013	Seege	↔	1:1		35-210-050-R-900
22.10.2018	Grind	General Tolerances DIN ISO 2768 cL		NSN:	