

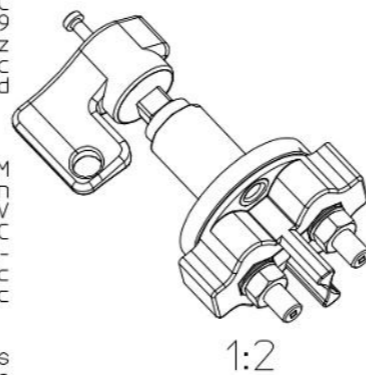
Technical Data

Environmental characteristics:
 Temperatur range -40°C to +85°C
 Sealing IP67 / IEC 529
 Vibration 4G / 50-2000Hz
 Shock G-Level 6G / 11msec
 Weight ~175g / 0.38 Pound

Electrical characteristics:
 Min. Isolation resistance, initial 100MOHM
 Dielectric withstanding voltage 1050V - 1min
 Max. contact drop during Resistive Load 150mV
 Voltage 80VDC
 Duty Rating 250A-
 Overload (Carrying) 500A-180sec
 1000A-30sec

Operating Life characteristics:
 Mechanical Life 10 000 Cycles
 Lifecycles @ 200A/80VDC 100 Cycles
 Lifecycles @ 300A/80VDC 10 Cycles

General Characteristics
 Case Material PA GF black
 Switch Lever Material PA GF red
 Wire Section (at nominal load) min. 70 mm²
 Switch Lever not removeable
 Max Torque (Main Contacts) 12-13Nm



Date	Name	mm	Scale		Drawing No: 35-210-051-R-900
Drawn 21.03.2011	Seeger		1:1		
Check 22.10.2018	Grind		General Tolerances DIN ISO 2768 cL		
				NSN:	

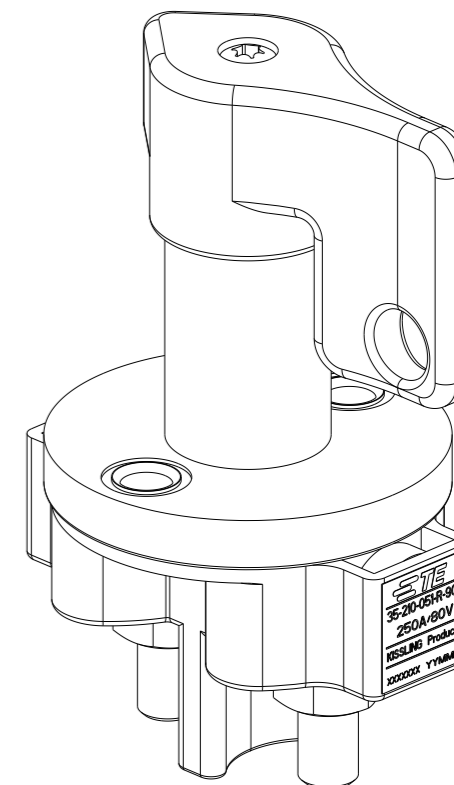
REVISIONS

P	LTR	DESCRIPTION	DATE	DWN	APVD
	A	TE STANDARD	14MAY2024	KS	RB

NOTE

Bemerkungen:

- 1 TE-CONNECTIVITY ORDER-NUMBER
TE-connectivity Bestellnummer
- 2 DO NOT SWITCH UNDER LOAD!
Nicht unter Last schalten!



K1142884	1	A	BATTERY DISCONNECTOR 250A/80V Batterietrennschalter 250A/80V	1
TE ORDER-NO.	REV.		DESCRIPTION	ITEM NO



NAME
BATTERY DISCONNECTOR 250A/80V
Batterietrennschalter 250A/80V

THIS DRAWING IS A CONTROLLED DOCUMENT.

DIMENSIONS:	TOLERANCES UNLESS OTHERWISE SPECIFIED:
mm	DIN ISO 2768 cL
	0 PLC ±
	1 PLC ±
	2 PLC ±
	3 PLC ±
	4 PLC ±
	ANGLES ±
MATERIAL	FINISH

DWN	K.Seeger	21MAR2011
CHK	K.Seeger	21MAR2011
APVD	U.Grindemann	22OCT2018
PRODUCT SPEC		
APPLICATION SPEC		
WEIGHT		
CUSTOMER DRAWING		

SIZE	CAGE CODE	DRAWING NO	RESTRICTED TO
A3	00779	35-210-051-R-900	-
SCALE	SHEET	OF	REV
1:1	1	1	A