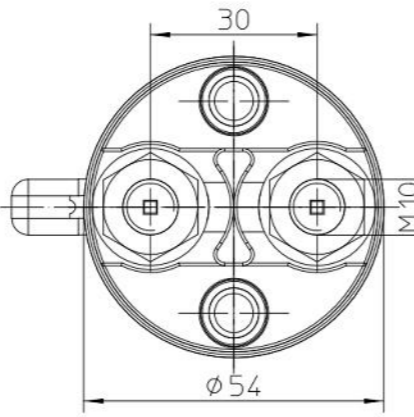
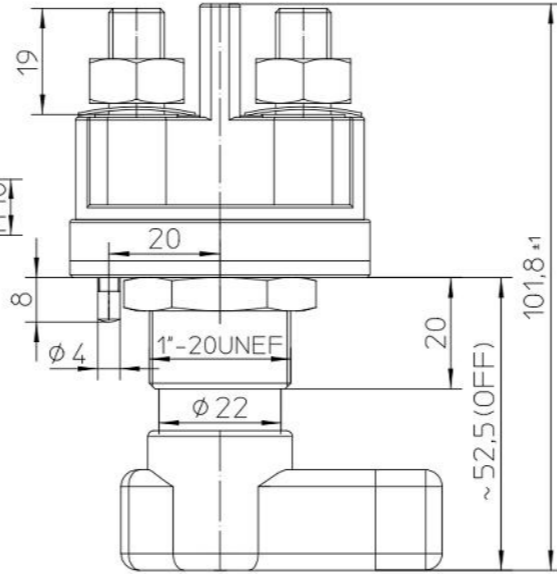

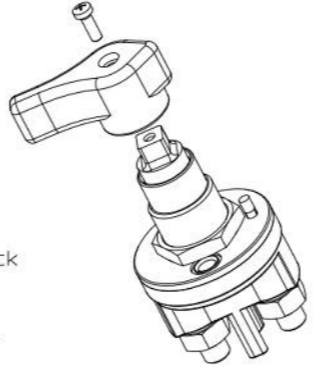


EC No.	Battery Disconnecter 200A	Page 1 of 1
--------	---------------------------	-------------


Circuit





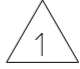
Technical Data:

Case Material	PA GF black
Switch Lever Material	PA GF red
Min. Insulation Resistance	100MΩ
Dielectric Withstanding Voltage	1050V-1min.
Max. Contact Drop during Resistive Load	150mV
Voltage	to 32VDC
Duty Rating	200A
Overload	500A-180sec. 1000A-30sec.
Sealing	IP 6K9K/ IEC 60529
Vibration	4G / 50-2000Hz
Shock G-Level	6G / 11ms
Weight	~260g / ~0.57 Pound
Temperature Range	-40°C to +85°C
Wire Section (at nominal Load)	min. 70mm ²
Switch Lever	not removeable
Max. Torque (Main Contacts)	15-20Nm

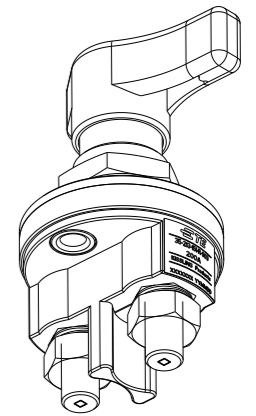
	Date	Name	mm	Scale	Drawing No:
Drawn	20.04.2005	Mielk	←→	1:1	 35-213-151-R
Check	25.06.2018	Grind	General Tolerances		

REVISIONS					
P	LTR	DESCRIPTION	DATE	DWN	APVD
	A	TE STANDARD UPDATED	04JUL2024	KS	RB


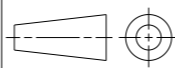
NOTE:
Bemerkungen:

1  TE-CONNECTIVITY ORDER-NUMBER
TE-Connectivity Bestellnummer

2 DO NOT SWITCH UNDER LOAD!
Nicht unter Last schalten!



K1124800	1	A	BATTERY DISCONNECTOR 200 A Batterietrennschalter 200 A	1
TE ORDER-NO.	REV.		DESCRIPTION	ITEM NO

THIS DRAWING IS A CONTROLLED DOCUMENT.		DWN N.Mielke 20APR2005	 TE Connectivity		
DIMENSIONS:	TOLERANCES UNLESS OTHERWISE SPECIFIED:	CHK U.Grindemann 25JUN2018	NAME BATTERY DISCONNECTOR 200 A Batterietrennschalter 200 A		
mm	DIN ISO 2768 cL	APVD U.Grindemann 25JUN2018			
	0 PLC ± 1 PLC ± 2 PLC ± 3 PLC ± 4 PLC ± ANGLES ±	PRODUCT SPEC	SIZE A3		
MATERIAL	FINISH	APPLICATION SPEC			
		WEIGHT	00779	35-213-151-R	-
		CUSTOMER DRAWING	SCALE	SHEET	REV
				1 OF 1	A