

P	LTR	DESCRIPTION	DATE	DWN	APVD
	A	TE STANDARD FORMAT	28MAR2024	SY	RB

EC No.

Battery Disconnecter 200A

Page 1 of 1

Circuit

Technical Data:

Case Material	PA GF black
Switch Lever Material	PA GF red
Min. Insulation Resistance	100MΩ
Dielectric Withstanding Voltage	1050V-1min.
Max. Contact Drop during Resistive Load	150mV
Voltage	to 32VDC
Duty Rating	200A
Overload	500A-180sec. 1000A-30sec.
Sealing	IP 67/ IEC 529
Vibration	4G / 50-2000Hz
Shock G-Level	6G / 11ms
Weight	~260g / ~0.57 Pound
Temperature Range	-40°C to +85°C
Wire Section (at nominal Load)	min. 70mm ²
Switch Lever	not removeable
Max. Torque (Main Contacts)	15-20Nm

Date	Name	mm	Scale
13.02.2012	Seeger		1:1
25.06.2018	Grind		

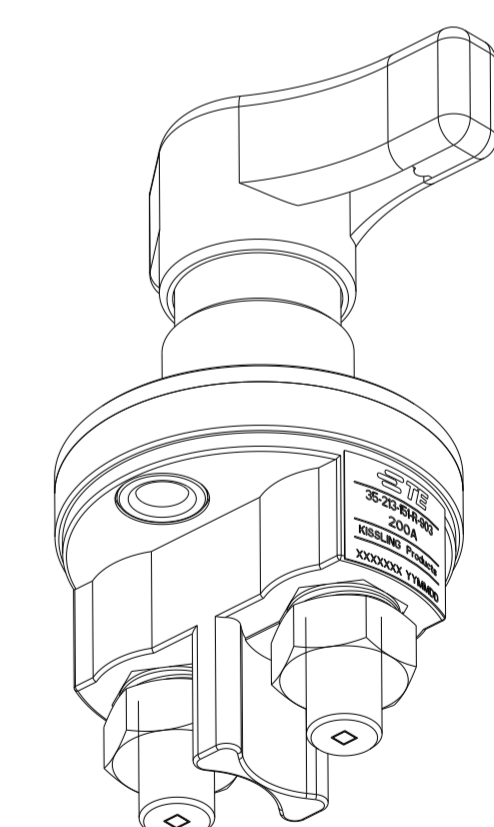
Drawing No:
35-213-151-R-903

NSN:

NOTES
Bemerkungen

1 TE-CONNECTIVITY ORDER-NUMBER
TE-Connectivity Bestellnummer

ISO 1:1



K1145444	1	A	BATTERY DISCONNECTOR Batterietrennschalter	260	1
TE ORDER-NO.	REV.		DESCRIPTION	WEIGHT (g)	ITEM NO

THIS DRAWING IS A CONTROLLED DOCUMENT.		DWN K. Seeger	13FEB2012	<p>TE Connectivity</p>	
DIMENSIONS: mm		CHK K. Seeger	13FEB2012		
TOLERANCES UNLESS OTHERWISE SPECIFIED: DIN ISO 2768 cL		APVD U. Grindemann	25JUN2018	NAME BATTERY DISCONNECTOR Batterietrennschalter	
0 PLC ± 1 PLC ± 2 PLC ± 3 PLC ± 4 PLC ±		PRODUCT SPEC		SIZE A2	
ANGLES ± FINISH		APPLICATION SPEC		CAGE CODE 00779	
MATERIAL		WEIGHT		DRAWING NO 35-213-151-R-903	
		CUSTOMER DRAWING		RESTRICTED TO -	
		SCALE 5:1		SHEET 1 OF 1	
				REV A	