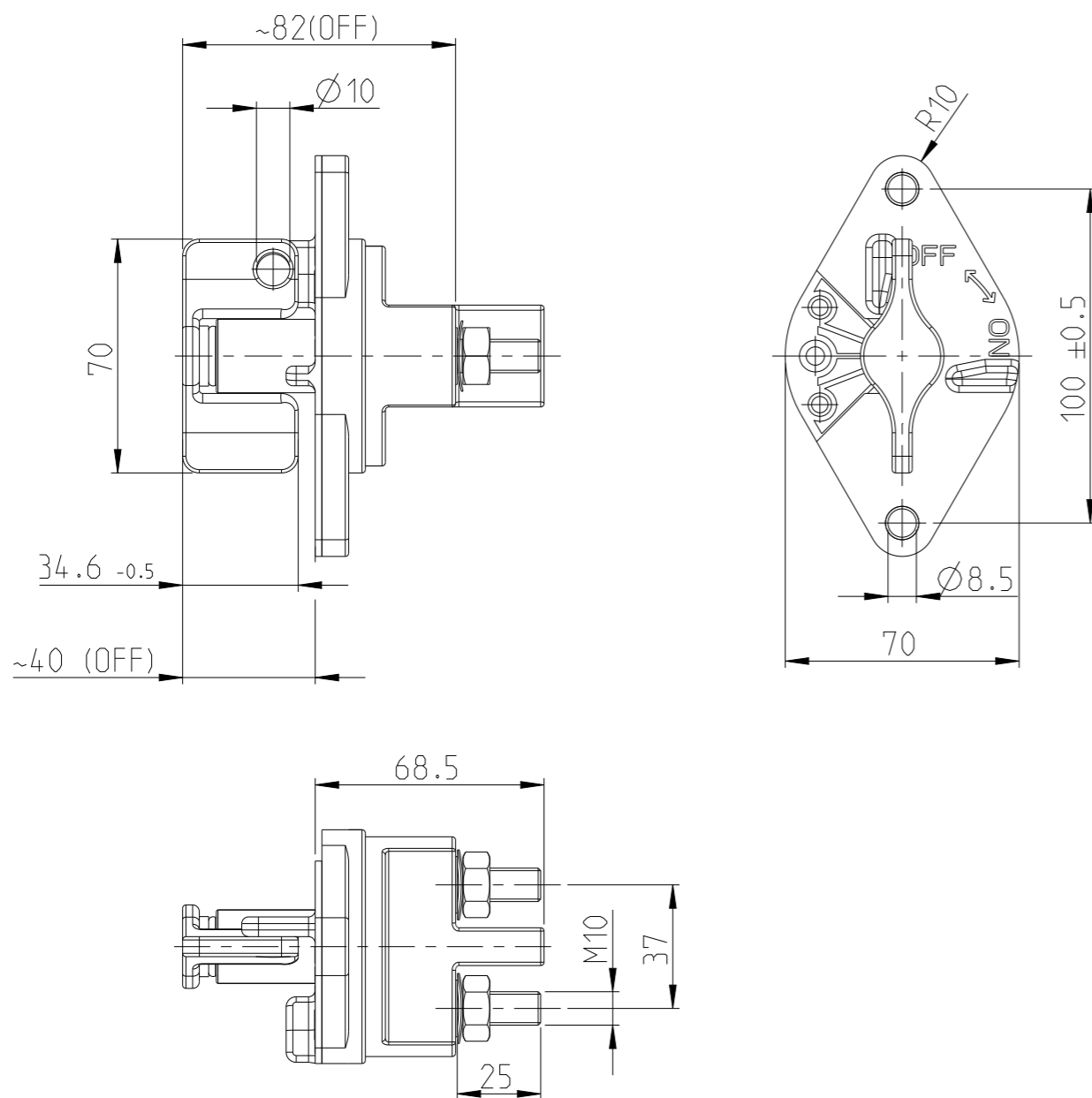


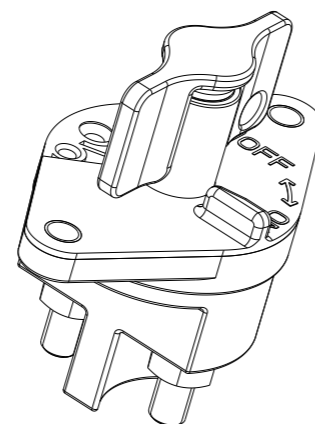
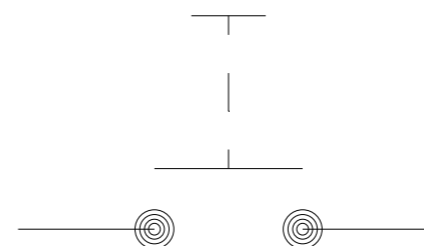
P	LTR	DESCRIPTION	DATE	DWN	APVD
A		ECN-22-134612	26JAN2022	SEEG	GRIN



TECHNICAL DATA:

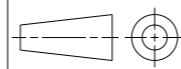
CASE MATERIAL.....	PA GF BLACK
SWITCH LEVER MATERIAL.....	PA GF RED
KEY PLATE MATERIAL.....	PA GF RED
MIN. INSULATION RESISTANCE.....	100MOhm
DIELECTRIC WITHSTANDING VOLTAGE.....	1050V-1min.
MAX. CONTACT DROP DURING RESISTIVE LOAD.....	150mV
VOLTAGE.....	UP TO 32VDC
DUTY RATING.....	300A
OVERLOAD.....	1200A-4min.
	1600A-1.5min.
	2000A-10sec.
SEALING.....	IP 67 / IEC 529
VIBRATION.....	4G / 50-2000Hz
SHOCK G-LEVER.....	6G / 11ms
WEIGHT.....	~325g / 0.72 pound
TEMPERATURE RANGE.....	-40°C TO +85°C
WIRE SECTION (AT NOMINAL LOAD).....	MIN. 70mm ²
MOUNTING POSTION.....	OPTIONAL
SWITCH LEVER.....	NOT REMOVEABLE
	LOCKABLE IN "OFF" POSITION
	NOT LOCKABLE IN "ON" POSITION
TORQUE (MAIN TERMINALS).....	15-20Nm

CIRCUIT



THIS DRAWING IS A CONTROLLED DOCUMENT.

DIMENSIONS:
mm



TOLERANCES UNLESS OTHERWISE SPECIFIED:
DIN ISO 2768 cL

0 PLC	±
1 PLC	±
2 PLC	±
3 PLC	±
4 PLC	±
ANGLES	±
FINISH	-

MATERIAL

DWN	Manohar	13.09.2021
CHK	Fritza	14.09.2021
APVD	AOW alz	26JAN2022
PRODUCT SPEC		
APPLICATION SPEC		
WEIGHT		



NAME
BATTERY DISCONNECTOR 300A

SIZE	CAGE CODE	DRAWING NO	RESTRICTED TO
A3	00779	35-314-131-R-901	-
CUSTOMER DRAWING		SCALE	SHEET
		1:2	1 OF 1
			REV
			A