

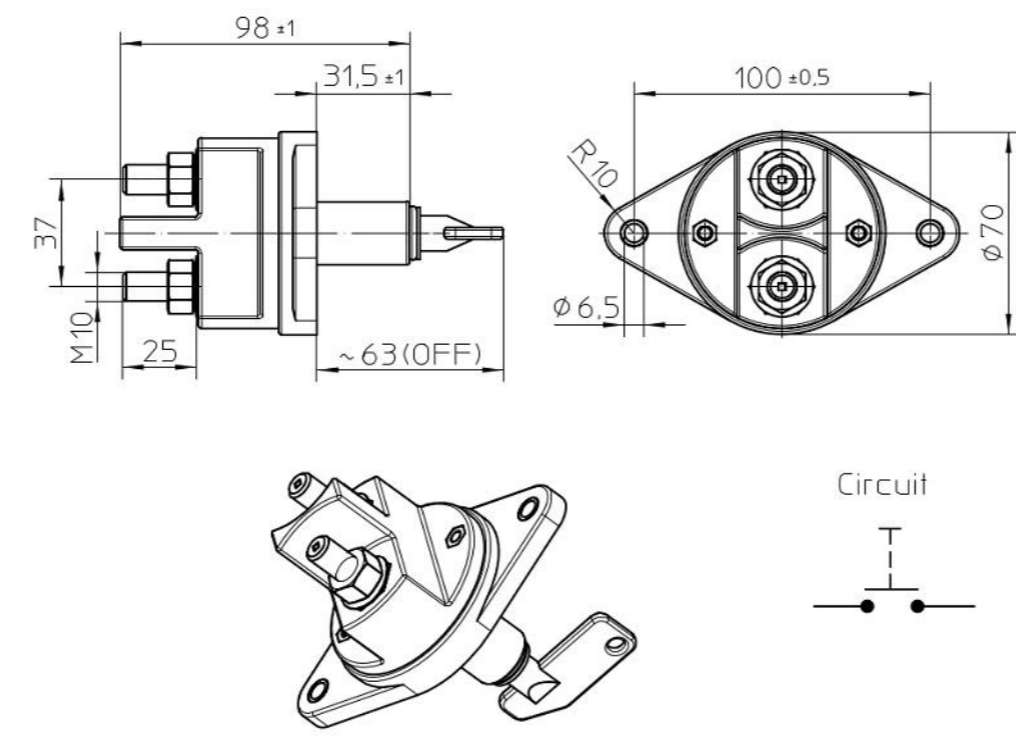
4

3

2

1

© 2024 TE Connectivity. All Rights Reserved.

EC No.	Battery Disconnecter 400A	Page 1 of 1			
					
Technical Data: Case Material.....PA GF black Switch Lever Material.....PA GF red Min.Insulation Resistance.....100MΩ Dielectric Withstanding Voltage.....1050V-1min Max.Contact Drop during Resistive Load.....150mV Voltage.....to 32VDC Duty Rating.....400A Overload.....1200A-4min 1600A-1.5min 2000A-10sec Sealing.....IP 67 / IEC 529 Vibration.....4G / 50-2000Hz Shock G-Level.....6G / 11ms Weight.....360g / 0.8 Pound Temperature Range.....-40°C to +85°C Wire Section (At Nominal Load).....min. 240 mm ² Mounting position.....optional Switch Lever.....removeable Torque (Main Terminals).....15-20 Nm					
	Date	Name	mm	Scale	Drawing No.
Drawn	05.02.2010	Drech	mm	1:2	35-411-100-R
Check	05.02.2010	Drech	General Tolerances DIN ISO 2768 cL		NSN:

REVISIONS

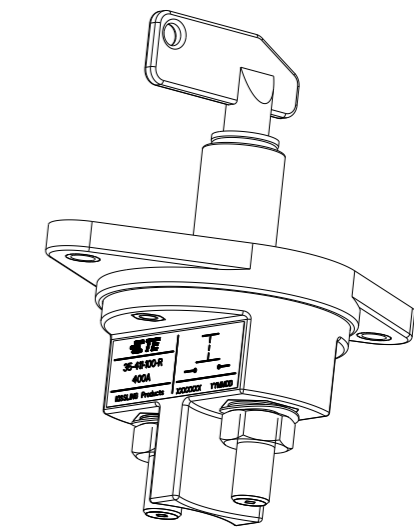
P	LTR	DESCRIPTION	DATE	DWN	APVD
	A	ECN-24-262672	26APR2024	KS	RB

NOTE

Bemerkungen:

1 TE-CONNECTIVITY ORDER-NUMBER
TE-connectivity Bestellnummer

2 DO NOT SWITCH UNDER LOAD!
Nicht unter Last schalten!




ISO 1:2

1	K1126755	A	BATTERY DISCONNECTOR 400A Batterietrennschalter 400A	1
TE ORDER-NO.	REV.		DESCRIPTION	ITEM NO.



NAME
BATTERY DISCONNECTOR 400A
Batterietrennschalter 400A

THIS DRAWING IS A CONTROLLED DOCUMENT.

DIMENSIONS:	TOLERANCES UNLESS OTHERWISE SPECIFIED:
mm	DIN ISO 2768 cL
	0 PLC ± 1 PLC ± 2 PLC ± 3 PLC ± 4 PLC ± ANGLES ±
MATERIAL	FINISH

DWN
C.Drechsler 05FEB2010CHK
C.Drechsler 05FEB2010APVD
C.Drechsler 05FEB2010

PRODUCT SPEC

APPLICATION SPEC

WEIGHT

Customer Drawing

SCALE 1:1

SIZE	CAGE CODE	DRAWING NO	RESTRICTED TO
A3	00779	35-411-100-R	-
SHEET 1 OF 1			REV A

1470-19 (3/13)