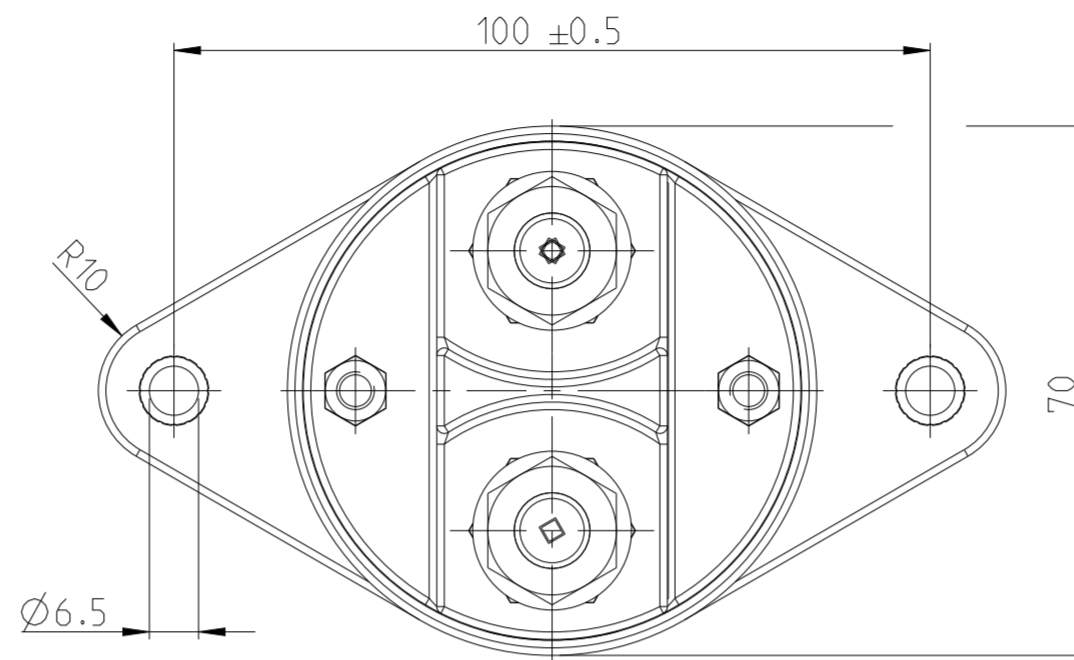
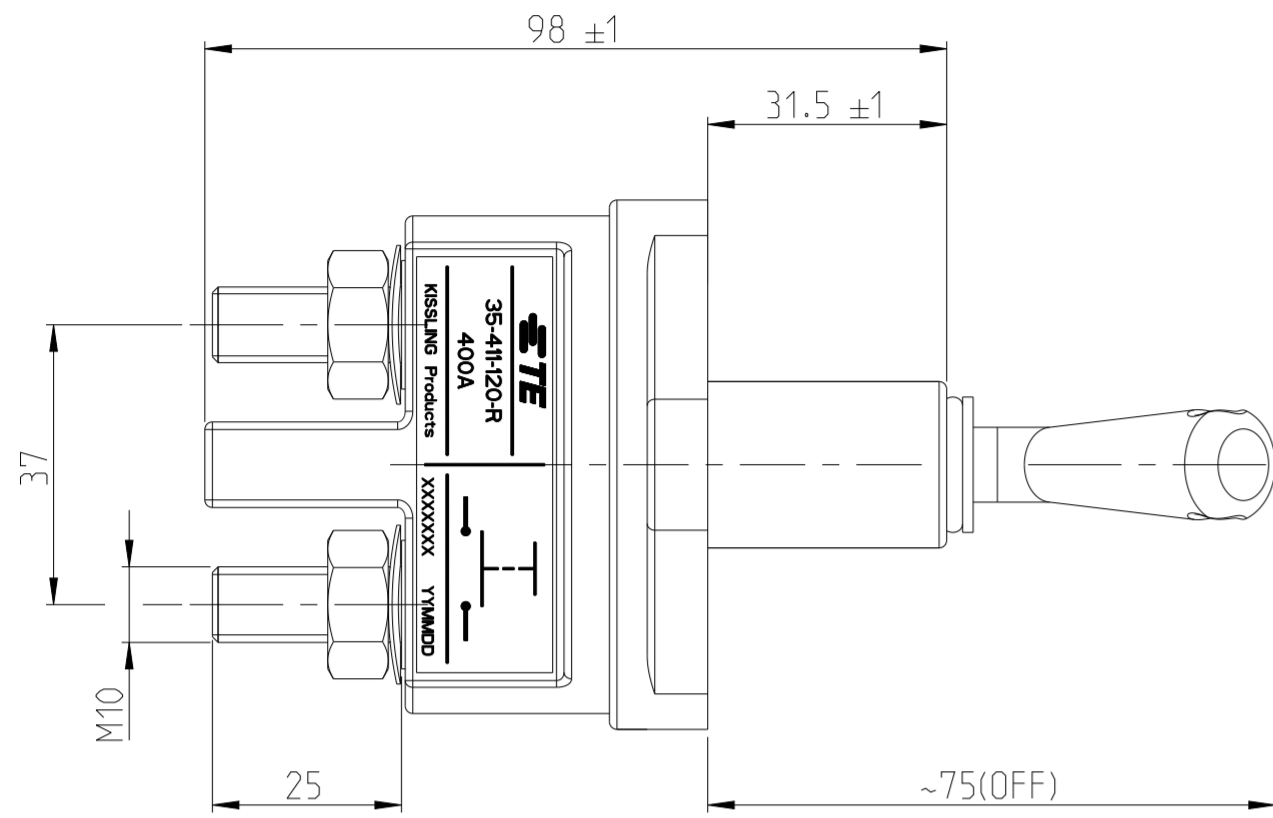


REVISIONS					
P	LTR	DESCRIPTION		DATE	APVD
	A	ECN-24-248910	TE STANDARD	25JAN2024	SS RB



NOTES  
Bemerkungen

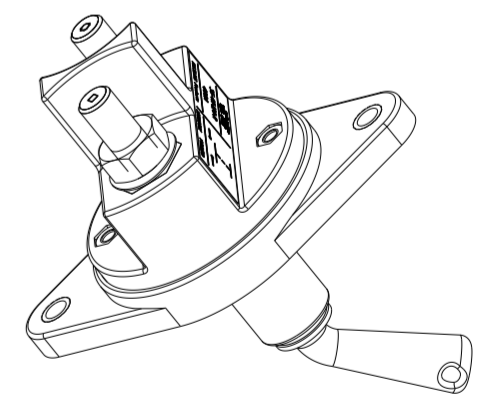
- 1 TE-CONNECTIVITY ORDER-NUMBER  
TE-Connectivity Bestellnummer
- 2 DO NOT SWITCH UNDER LOAD!  
Nicht unter Last schalten!

Technische Daten:

Werkstoff: Haube.....PA GF Schwarz  
Schalthebel.....PA GF Rot  
Min. Isolationswiderstand.....100MΩ  
Hochspannungsfestigkeit.....1050V-1min  
Max. Kontaktspannungsabfall bei Nennlast.....150 mV  
Betriebsspannung.....bis 32VDC  
Dauerstrom.....400A  
Überlast.....1200A-4min.  
.....1600A-1.5min.  
.....2000A-10sec.  
Schutzart.....IP 67/ IEC 529  
Vibration.....4G/50-2000Hz  
Schock .....6G/ 11 ms  
Umgebungstemperatur.....-40°C bis +85°C  
Anschlussquerschnitt bei Nennlast.....Min.240mm<sup>2</sup>  
Einbaulage.....beliebig  
Schalthebel.....abziehbar  
Anzugsmoment (Hauptkontakte).....15-20Nm  
Schalterhebel-Ersatzteil-Nr. ....35-500-081

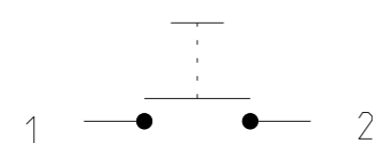
TECHNICAL DATA:

CASE MATERIAL: COVER.....PA GF BLACK  
SWITCH LEVER.....PA GF RED  
MIN. INSULATION RESISTANCE.....100MΩ  
DIELECTRIC WITHSTANDING RESISTANCE.....1050V-1min  
MAX.CONTACT DROP DURING RESISTIVE LOAD.....150mV  
VOLTAGE.....UP TO 32VDC  
CONTINUOUS CURRENT.....400A  
OVERLOAD.....1200A-4min.  
.....1600A-1.5min.  
.....2000A-10sec.  
SEALING.....IP 67/IEC 529  
VIBRATION.....4G/50-2000Hz  
SHOCK.....6G/11ms  
TEMPERATURE RANGE.....-40°C TO +85°C  
WIRE SECTION (AT NOMINAL LOAD).....MIN. 240mm<sup>2</sup>  
MOUNTING POSITION.....OPTIONAL  
SWITCH LEVER.....REMOVEABLE  
TORQUE (MAIN CONTACTS).....15-20Nm  
SWITCH LEVER SPARE PART NO. ....35-500-081



ISO 1:2

CIRCUIT  
Schaltbild



THIS DRAWING IS A CONTROLLED DOCUMENT.		DWN N.Mielke 20MAY2011	K1143392/1 A BATTERY DISCONNECTOR 400A		316	1	
DIMENSIONS: mm		CHK N.Mielke 20MAY2011	TE ORDER-NO.	REV.	DESCRIPTION	WEIGHT (g)	ITEM NO.
TOLERANCES UNLESS OTHERWISE SPECIFIED: DIN ISO 2768 CL		APVD F.Hamarat 21JUL2011	NAME		BATTERY DISCONNECTOR 400A Batterietrennschalter 400A		
MATERIAL		PRODUCT SPEC	SIZE	CAGE CODE	DRAWING NO.	RESTRICTED TO	
FINISH		APPLICATION SPEC	A2	00779	C-35-411-120-R	-	
WEIGHT		CUSTOMER DRAWING	SCALE	SHEET	OF	REV	
			1:1	1	1	A	