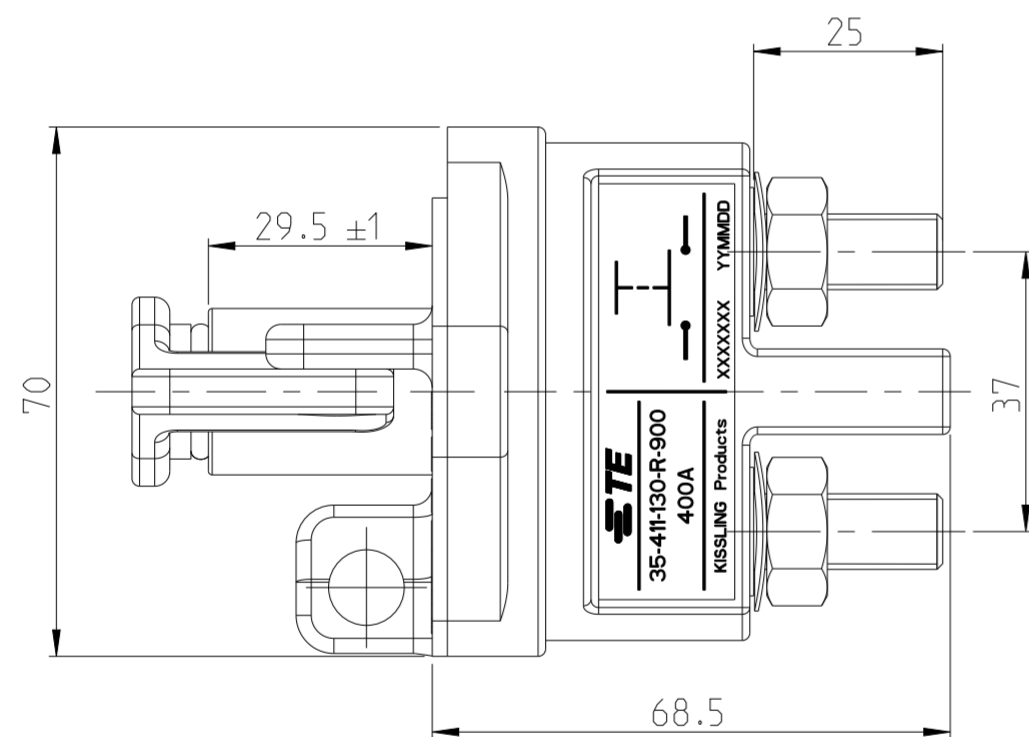
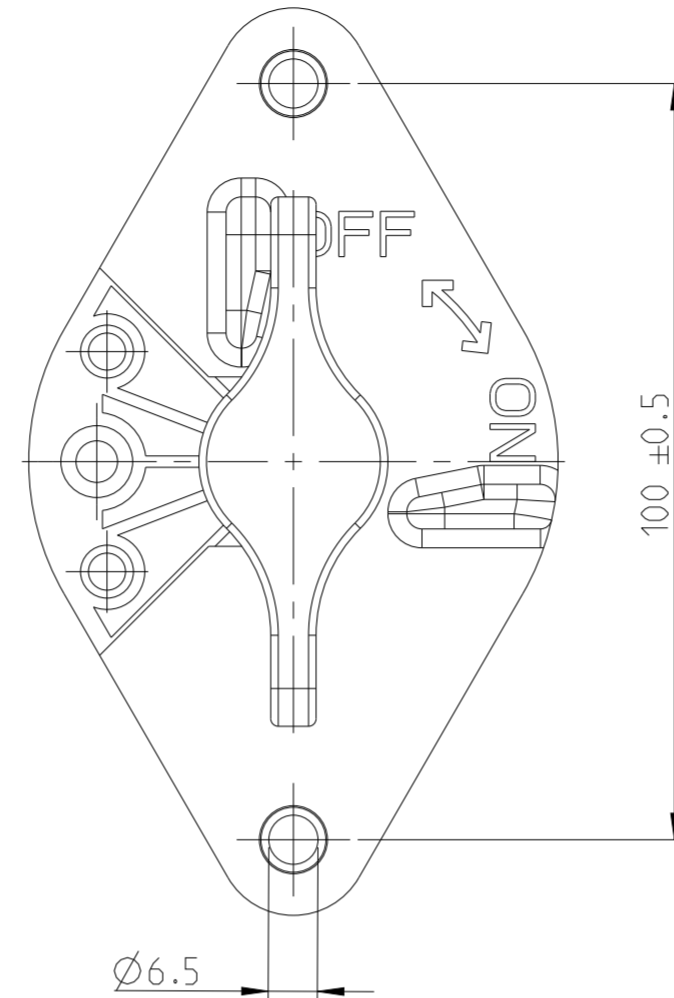
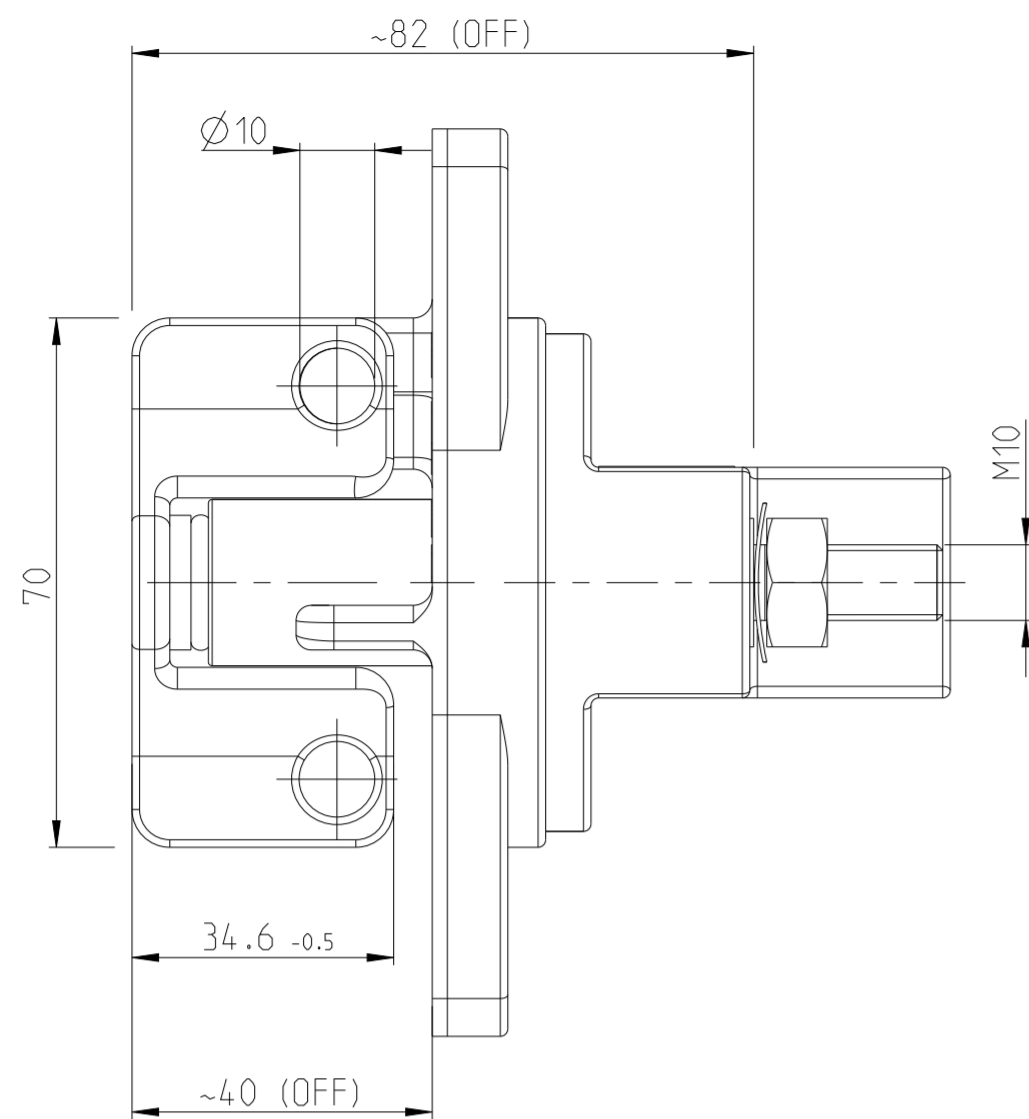


P	LTR	DESCRIPTION	DATE	DWN	APVD
	A	ECN-24-248910 TE STANDARD	25JAN2024	SS	RB

NOTES
Bemerkungen

- 1 TE-CONNECTIVITY ORDER-NUMBER
TE-Connectivity Bestellnummer
- 2 DO NOT SWITCH UNDER LOAD!
Nicht unter Last schalten!

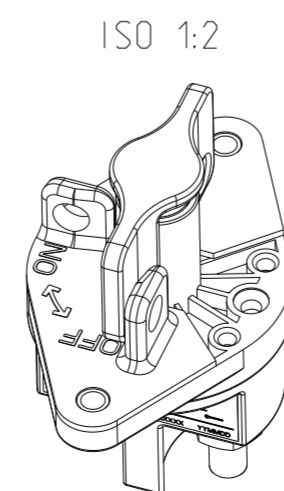
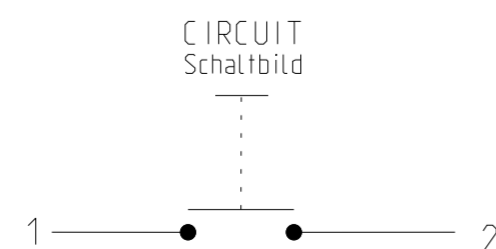


TECHNICAL SPECIFICATIONS:

MATERIAL: COVER..... PA GF BLACK
 SWITCH LEVER..... PA GF RED
 MIN. INSULATION RESISTANCE..... 100MΩ
 DIELECTRIC WITHSTAND RESISTANCE..... 1050V-1min
 MAX. CONTACT DROP DURING RESISTIVE LOAD..... 150mV
 VOLTAGE..... UP TO 32VDC
 DUTY RATING..... 400A
 OVERLOAD..... 1200A-4min
 1600A-1.5min
 2000A-10sec
 SEALING..... IP 67/IEC 529
 VIBRATION..... 4G/50-2000Hz
 SHOCK..... 6G/11ms
 TEMPERATURE RANGE..... -40°C TO +85°C
 WIRE SECTION (AT NOMINAL LOAD)..... MIN. 240mm²
 MOUNTING POSITION..... OPTIONAL
 SWITCH LEVER..... REMOVEABLE
 TORQUE (MAIN CONTACTS)..... 15-20Nm
 SPARE PARTS:
 SWITCH LEVER..... K1125926
 HEX-NUT-M10-CuZn-E2..... K1002438
 SPRING WASHER..... K1023446

Technische Daten:

Werkstoff: Haube..... PA GF schwarz
 Schalthebel..... PA GF rot
 Min. Isolationswiderstand..... 100MΩ
 Hochspannungsfestigkeit..... 1050V-1min
 Max. Kontaktspannungsabfall bei Nennlast..... 150mV
 Betriebsspannung..... bis 32VDC
 Dauerstrom..... 400A
 Überlast..... 1200A-4min
 1600A-1.5min
 2000A-10sec
 Schutzart..... IP 67/IEC 529
 Vibration..... 4G/50-2000Hz
 Schock..... 6G/11ms
 Umgebungstemperatur..... -40°C bis +85°C
 Anschlussquerschnitt bei Nennlast..... min. 240mm²
 Einbaulage..... beliebig
 Schalthebel..... abziehbar
 Anzugsmoment Hauptkontakte..... 15-20Nm
 Ersatzteile:
 Schalthebel..... K1125926
 6kt-Mutter-M10-CuZn-E2..... K1002438
 Federscheibe..... K1023446



THIS DRAWING IS A CONTROLLED DOCUMENT.

DIMENSIONS: mm	TOLERANCES UNLESS OTHERWISE SPECIFIED: DIN ISO 2768 cl
MATERIAL	FINISH

DWN	180CT2006
CHK	180CT2006
APVD	24 JUL 2018
PRODUCT SPEC	Luginsland
APPLICATION SPEC	
WEIGHT	
CUSTOMER DRAWING	

K1128688/1	A	BATTERY DISCONNECTOR 400A Batterietrennschalter 400A	341	1
TE ORDER-NO.	REV.	DESCRIPTION	WEIGHT (g)	ITEM NO.
TE Connectivity				
NAME BATTERY DISCONNECTOR 400A Batterietrennschalter 400A				
SIZE	CAGE CODE	DRAWING NO.	RESTRICTED TO	
A2	00779	C-35-411-130-R-900	-	
SCALE 1:1			SHEET 1 OF 1	REV A