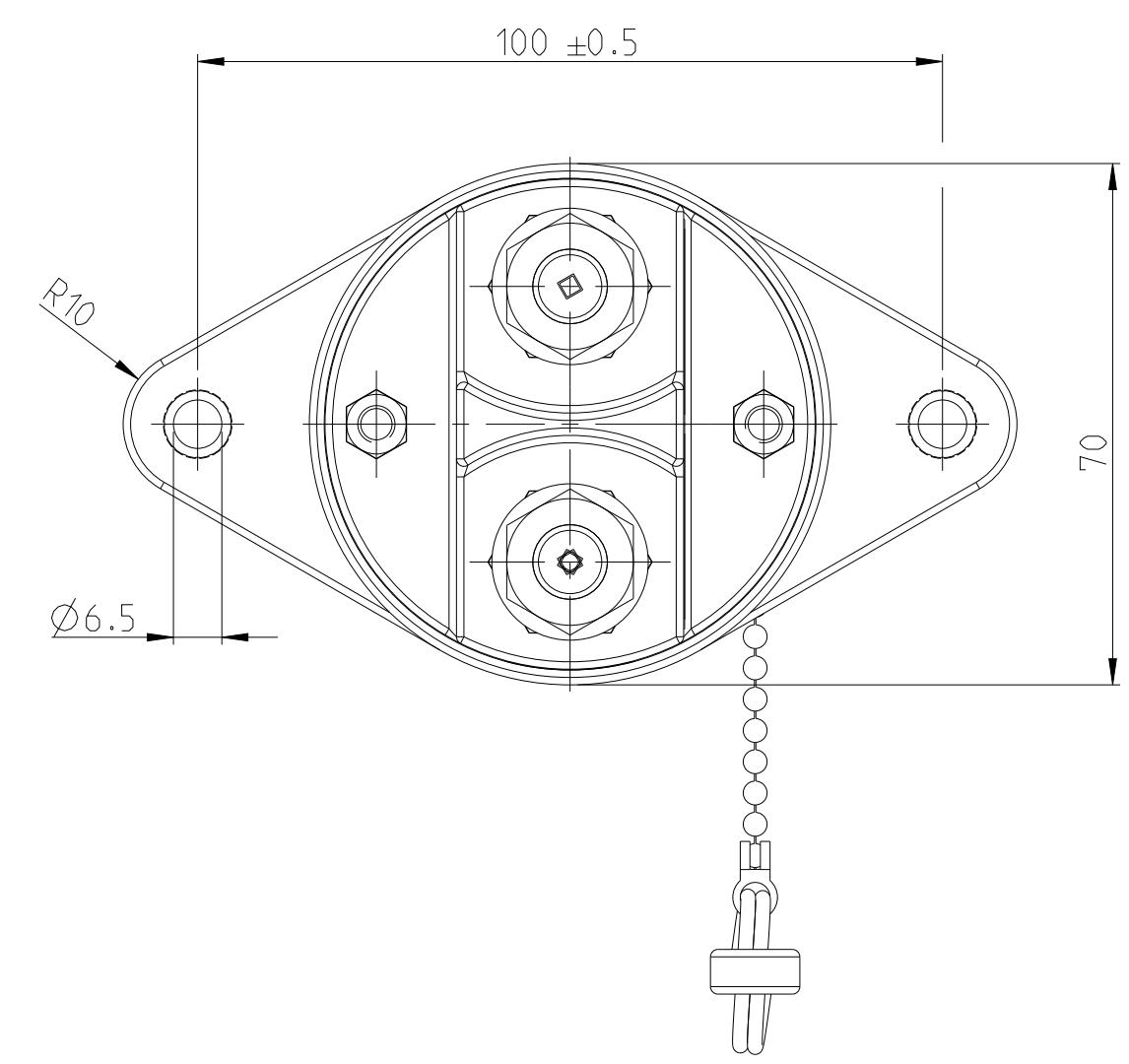
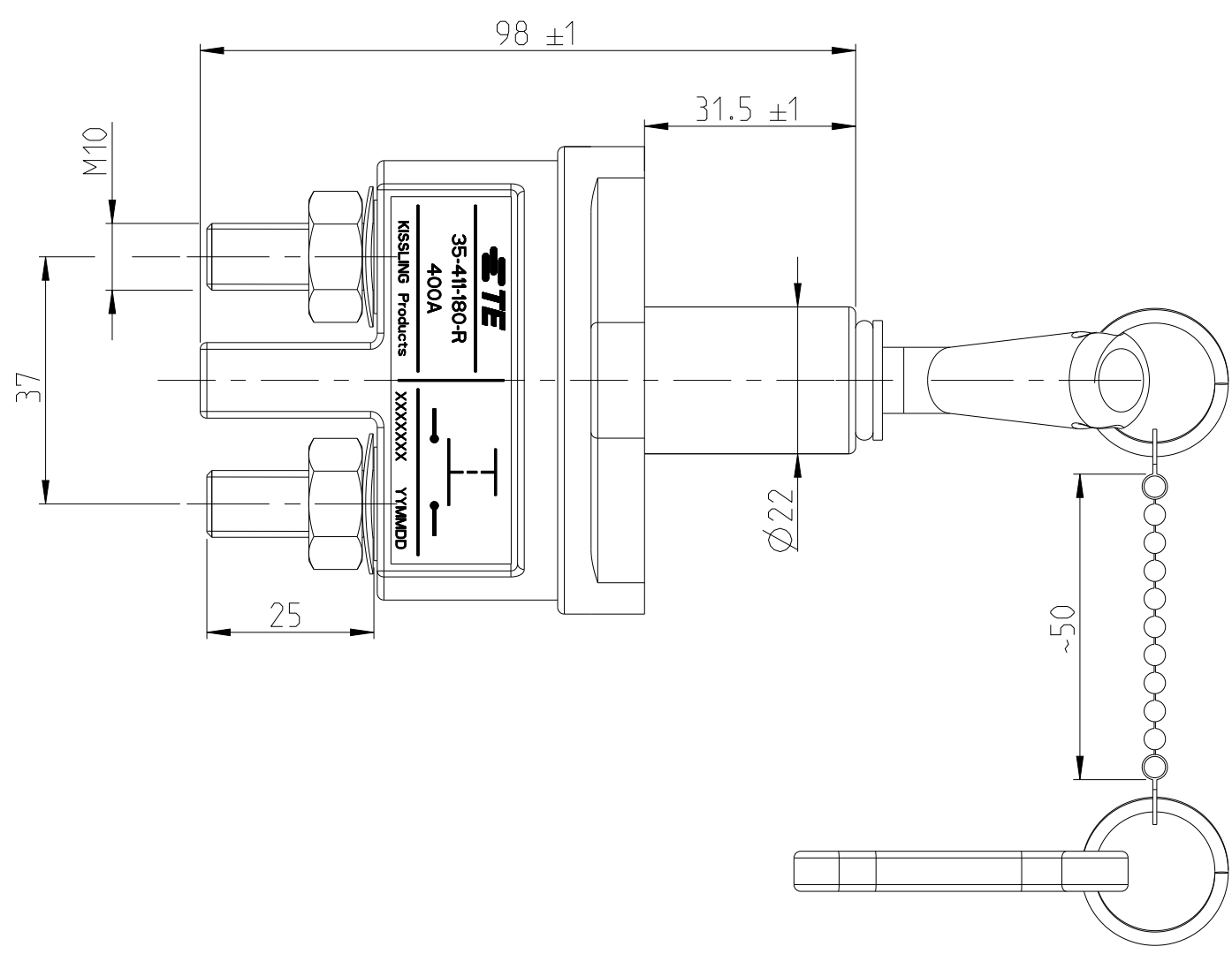


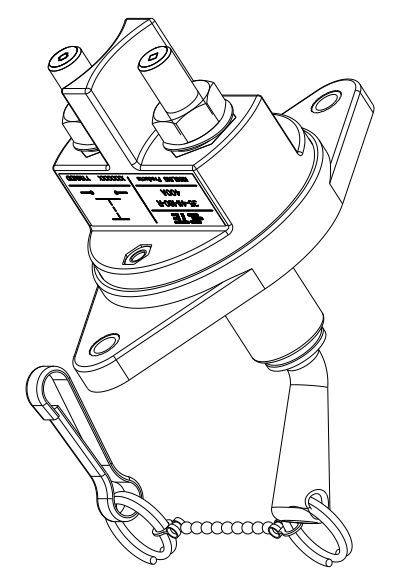
REVISIONS					
P	LTR	DESCRIPTION	DATE	DWN	APVD
	A	ECN-24-246372	TE STANDARD	05JAN2024	SS RB



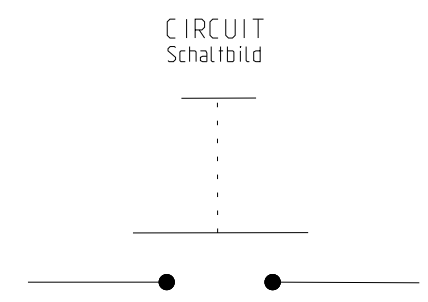
- NOTES
Bemerkungen
- TE-CONNECTIVITY ORDER-NUMBER
TE-Connectivity Bestellnummer
 - DO NOT SWITCH UNDER LOAD!
Nicht unter Last schalten!

Technische Daten:
 Werkstoff: Haube.....PA GF Schwarz
 Schalthebel.....PA GF Schwarz
 Min. Isolationswiderstand100MΩ
 Hochspannungsfestigkeit1050V-1min.
 Max. Kontaktspannungsabfall bei Nennlast.....150mV
 Betriebsspannung.....bis 32VDC
 Zuständigkeit400A
 Überlast.....1200A-4min.
1600A-1,5min.
2000A-10sec.
 Schutzart.....IP67 / IEC 529
 Vibration.....4G / 50-2000Hz
 Schock.....6G / 11ms
 Umgebungstemperatur.....-40°C bis +85°C
 Anschlussquerschnitt bei Nennlast.....Min. 240mm²
 Einbaulage.....beliebig
 Schalthebel.....abziehbar
 Anzugsmoment (Hauptkontakte).....15-20 Nm

TECHNICAL DATA:
 MATERIAL : COVER.....PA GF BLACK
 SWITCH LEVER.....PA GF BLACK
 MIN. INSULATION RESISTANCE.....100MΩ
 DIELECTRIC WITHSTANDING RESISTANCE.....1050V-1min
 MAX. CONTACT VOLTAGE DROP DURING RESISTIVE LOAD.....150mV
 VOLTAGE.....UP TO 32VDC
 DUTY RATING.....400A
 OVERLOAD.....1200A-4min.
1600A-1.5min.
2000A-10sec.
 SEALING.....IP 67 / IEC 529
 VIBRATION.....4G / 50-2000Hz
 SHOCK6G / 11ms
 TEMPERATURE RANGE.....-40°C TO +85°C
 WIRE SECTION (AT NOMINAL LOAD).....MIN. 240mm²
 MOUNTING POSITION.....OPTIONAL
 SWITCH LEVER.....REMOVABLE
 TORQUE (MAIN CONTACTS).....15-20 Nm



ISO 1:2



K1137952/1	A	BATTERY DISCONNECTOR 400A Batterietrennschalter 400A	340	1
TE ORDER-NO.	REV.	DESCRIPTION	WEIGHT (g)	ITEM NO

THIS DRAWING IS A CONTROLLED DOCUMENT.		DWN Shrihari Y 27DEC2023	TE Connectivity	
DIMENSIONS: mm		CHK K.Seeger 27DEC2023		
TOLERANCES UNLESS OTHERWISE SPECIFIED: DIN ISO 2768 cL		APVD U.Grindemann 27DEC2023	NAME BATTERY DISCONNECTOR 400A Batterietrennschalter 400A	
0 PLC ± 1 PLC ± 2 PLC ± 3 PLC ± 4 PLC ±		PRODUCT SPEC	RESTRICTED TO	
ANGLES ± FINISH		APPLICATION SPEC	SIZE A2	CAGE CODE 00779
MATERIAL		WEIGHT	DRAWING NO 35-411-180-R	
		CUSTOMER DRAWING	SCALE 1:1	SHEET 1 OF 1
			REV A	