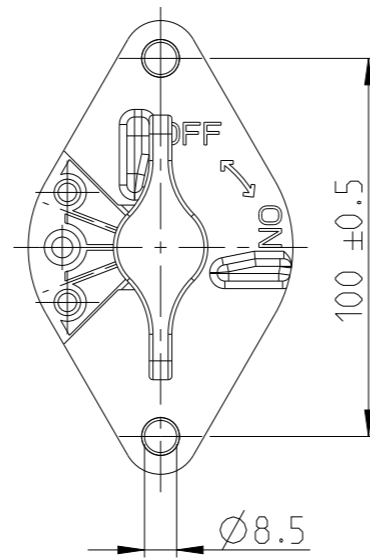
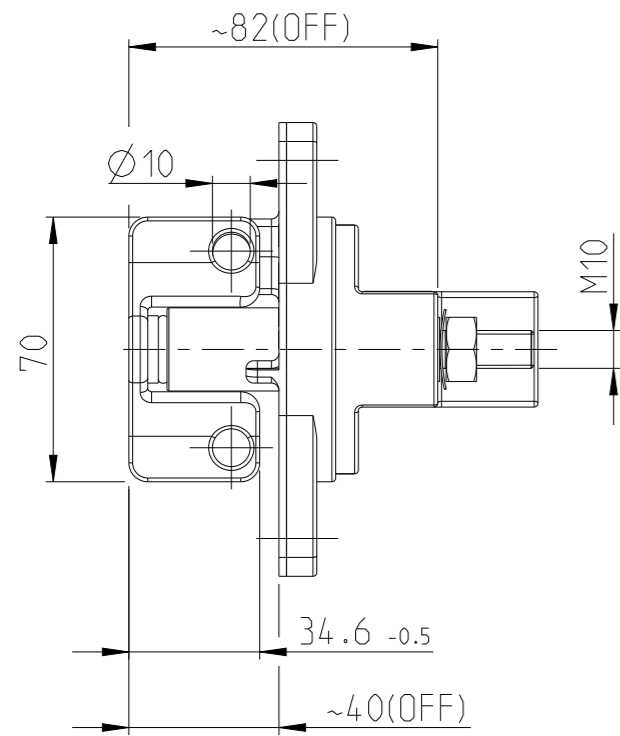
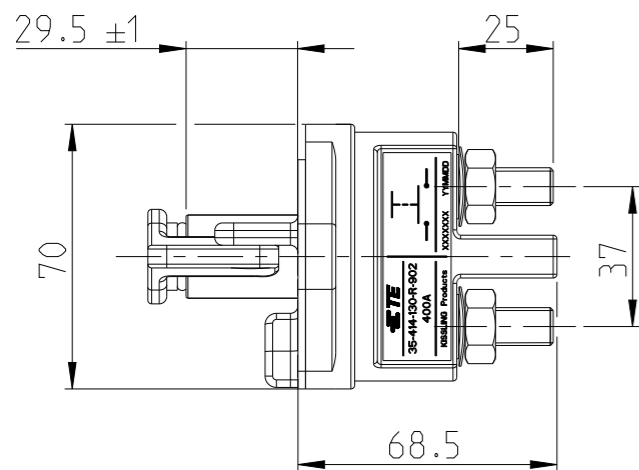


P	LTR	DESCRIPTION	DATE	DWN	APVD
	A	ECN-24-246372 TE STANDARD	05JAN2024	SS	RB



NOTES  
Bemerkungen

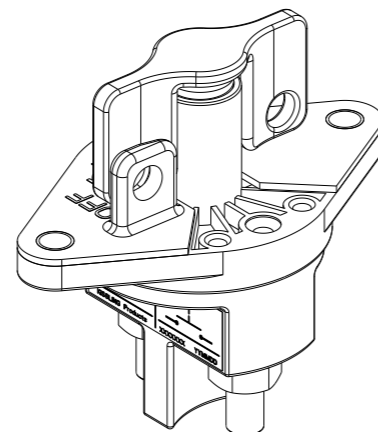
- 1 TE-CONNECTIVITY ORDER-NUMBER  
TE-Connectivity Bestellnummer
- 2 DO NOT SWITCH UNDER LOAD!  
Nicht unter Last schalten!



TECHNICAL DATA:  
 MATERIAL: COVER..... PA GF BLACK  
 SWITCH LEVER..... PA GF RED  
 MIN.INSULATION RESISTANCE.....100 MOhm  
 DIELECTRIC WITHSTANDING RESISTANCE.....1050V-1 min  
 MAX. CONTACT VOLTAGE DROP DURING RESISTIVE LOAD.....150mV  
 VOLTAGE.....UP TO 32 VDC  
 CONTINUOUS RATING.....400A  
 OVERLOAD.....1200A-4min  
 .....1600A-1.5min.  
 .....2000A- 10sec.  
 SEALING.....IP 67 / IEC 529  
 VIBRATION.....4G/ 50-2000Hz  
 SHOCK.....6G / 11ms  
 TEMPERATURE RANGE.....-40°C TO +85°C  
 WIRE SECTION (AT NOMINAL LOAD).....MIN.240mm<sup>2</sup>  
 MOUNTING POSITION.....OPTIONAL  
 SWITCH LEVER.....REMOVABLE  
 TORQUE (MAIN CONTACTS).....15-20Nm.  
 SWITCH LEVER SPARE PART NO.:.....35.400.025

Technische Daten:  
 Werkstoff: Haube..... PA GF schwarz  
 Schalthebel..... PA GF rot  
 Min.Isolationswiderstand..... 100 MOhm  
 Hochspannungsfestigkeit..... 1050V-1min  
 Max. Kontaktspannungsabfall bei Nennlast..... 150mV  
 Betriebsspannung..... bis 32VDC.  
 Dauerstrom..... 400A  
 Überlast..... 1200A-4min.  
 .....1600A-1.5min.  
 .....2000A-10sec.  
 Schutzart..... IP 67/IEC 529  
 Vibraton..... 4G/50-2000Hz  
 Schock..... 6G/11ms  
 Umgebungstemperatur..... -40°C bis+85°C  
 Anschlussquerschnitt bei Nennlast..... min.240mm<sup>2</sup>  
 Einbaulage..... beliebig  
 Schalthebel..... abziehbar  
 Anzugsmoment (Hauptkontakte)..... 15-20Nm  
 Schalthebel-Ersatzteil-Nr.:..... 35.400.025

CIRCUIT  
Schaltbild



THIS DRAWING IS A CONTROLLED DOCUMENT.

DIMENSIONS:	TOLERANCES UNLESS OTHERWISE SPECIFIED:
mm	DIN ISO 2768 cL
	0 PLC ±
	1 PLC ±
	2 PLC ±
	3 PLC ±
	4 PLC ±
	ANGLES ±
MATERIAL	FINISH

DWN	Luginsland	27MAR2018
CHK	K.Seeger	11MAR2019
APVD	Luginsland	11MAR2019
PRODUCT SPEC		
APPLICATION SPEC		
WEIGHT		
CUSTOMER DRAWING		

K1161854		A	BATTERY DISCONNECTOR 400A Batterietrennschalter 400A	~340	1
TE ORDER-NO.	REV.		DESCRIPTION	WEIGHT [g]	ITEM NO
			TE Connectivity		
			NAME BATTERY DISCONNECTOR 400A Batterietrennschalter 400A		
SIZE	CAGE CODE	DRAWING NO	RESTRICTED TO		
A3	00779	35-414-130-R-902	-		
SCALE			SHEET	OF	REV
1:2			1	1	A