

REVISIONS

| P | LTR | DESCRIPTION | DATE | DWN | APVD |
|---|-----|---------------------|-----------|-----|------|
| | A | TE STANDARD UPDATED | 20MAY2024 | KS | RB |

EC No.

Battery Disconnecter 400A

Page 1 of 1

~82 (OFF)
~40 (OFF)
M10
25
70
68,5
34,6_{-0,5}
φ 10
φ 8,5
37
100 ±0,5
120
φ 70

Circuit

Technical Data:

| | |
|---|--|
| Case Material | PA GF black |
| Switch Lever Material | PA GF black |
| Min. Insulation Resistance | 100MΩ |
| Dielectric Withstanding Voltage | 1050V-1min. |
| Max. Contact Drop during Resistive Load | 150mV |
| Voltage | up to 32VDC |
| Duty Rating | 400A |
| Overload | 1200A-4min. 1600A-1.5min. 2000A-10sec. |
| Sealing | IP 67/ IEC 529 |
| Vibration | 4G/ 50-2000Hz |
| Shock G-Lever | 6G/ 11ms |
| Weight | ~325g / 0.72 pound |
| Temperature Range | -40°C to +85°C |
| Wire Section (At Nominal Load) | min. 240mm ² |
| Mounting Position | optional |
| Switch Lever | not removeable |
| Torque (Main Terminals) | 15-20Nm |

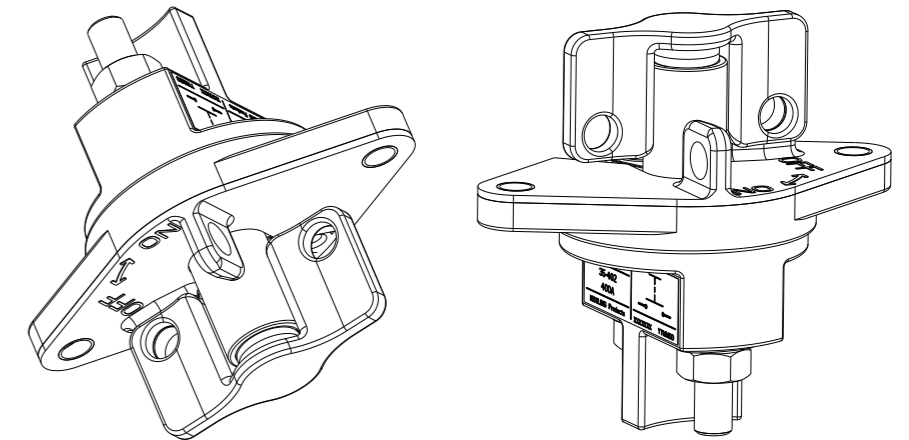
| Date | Name | mm | Scale | Drawing No. |
|-------------------|-------|----|-------|------------------|
| Create 19.09.2019 | Seege | → | 1:2 | 35-414-131-S-900 |
| Edited 19.09.2019 | Seege | | | |
| Check 19.09.2019 | Grind | | | |

For this drawing we reserve the copyright in accordance with DIN ISO 10016

NOTE:
Bemerkungen:

1 TE-CONNECTIVITY ORDER-NUMBER
TE-Connectivity Bestellnummer

2 DO NOT SWITCH UNDER LOAD!
Nicht unter Last schalten!



| | | | | |
|--------------|------|---|---|---------|
| K1166104 | 1 | A | BATTERY DISCONNECTOR 400A Batterietrennschalter 400A | 1 |
| TE ORDER-NO. | REV. | | DESCRIPTION | ITEM NO |

| | | | | | | | | | | | | | | |
|--|---|------------------------------------|---|-------|---|-------|---|-------|---|-------|---|--------|---|--------------|
| THIS DRAWING IS A CONTROLLED DOCUMENT. | | DWN K. Seeger 19SEP2019 | | | | | | | | | | | | |
| DIMENSIONS: mm | | CHK K. Seeger 19SEP2019 | | | | | | | | | | | | |
| TOLERANCES UNLESS OTHERWISE SPECIFIED: DIN ISO 2768-cl | | APVD U. Grindemann 19SEP2019 | | | | | | | | | | | | |
| <table border="0"> <tr><td>0 PLC</td><td>±</td></tr> <tr><td>1 PLC</td><td>±</td></tr> <tr><td>2 PLC</td><td>±</td></tr> <tr><td>3 PLC</td><td>±</td></tr> <tr><td>4 PLC</td><td>±</td></tr> <tr><td>ANGLES</td><td>±</td></tr> </table> | | 0 PLC | ± | 1 PLC | ± | 2 PLC | ± | 3 PLC | ± | 4 PLC | ± | ANGLES | ± | PRODUCT SPEC |
| 0 PLC | ± | | | | | | | | | | | | | |
| 1 PLC | ± | | | | | | | | | | | | | |
| 2 PLC | ± | | | | | | | | | | | | | |
| 3 PLC | ± | | | | | | | | | | | | | |
| 4 PLC | ± | | | | | | | | | | | | | |
| ANGLES | ± | | | | | | | | | | | | | |
| MATERIAL | | APPLICATION SPEC | | | | | | | | | | | | |
| FINISH | | WEIGHT | | | | | | | | | | | | |
| CUSTOMER DRAWING | | | | | | | | | | | | | | |

| | |
|---|--------------------|
| TE TE Connectivity | |
| NAME BATTERY DISCONNECTOR 400A Batterietrennschalter 400A | |
| SIZE A3 | CAGE CODE 00779 |
| DRAWING NO. 35-414-131-S-900 | RESTRICTED TO - |
| SCALE | SHEET 1 OF 1 REV A |