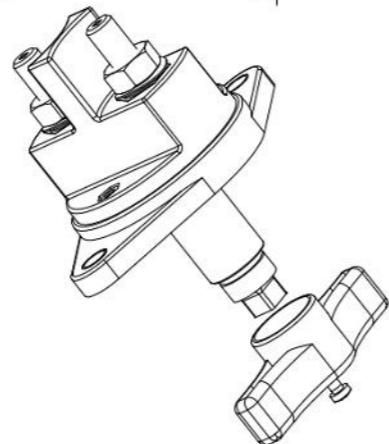
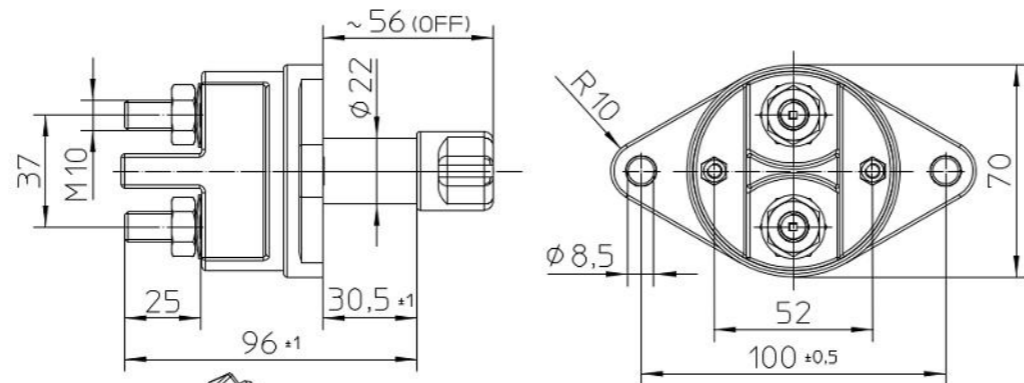


EC No. Page 1 of 1

Battery Disconnecter 400A



Circuit



Technical Data:

| | |
|--|--------------------------|
| Case Material..... | PA GF black |
| Switch Lever Material..... | PA GF red |
| Min. Insulation Resistance..... | 100MΩ |
| Dielectric Withstanding Voltage..... | 1050V-1min |
| Max. Contact Drop during Resistive Load..... | 150mV |
| Voltage..... | to 32VDC |
| Duty Rating..... | 400A |
| Overload..... | 1200A-4min |
| | 1600A-1.5min |
| | 2000A-10sec |
| Sealing..... | IP 67 / IEC 529 |
| Vibration..... | 4G / 50-2000Hz |
| Shock G-Level..... | 6G / 11ms |
| Weight..... | 360g / 0.8 Pound |
| Temperature Range..... | -40°C to +85°C |
| Wire Section (At Nominal Load)..... | min. 240 mm ² |
| Switch Lever..... | not removeable |
| Torque (Main Terminals)..... | 15-20 Nm |

| | | | |
|------------|--------|---------------------------------------|-------|
| Date | Name | mm | Scale |
| 16.03.2015 | Seeger | 1:2 | |
| 23.04.2015 | Grind | General Tolerances DIN ISO 2768 cL | |

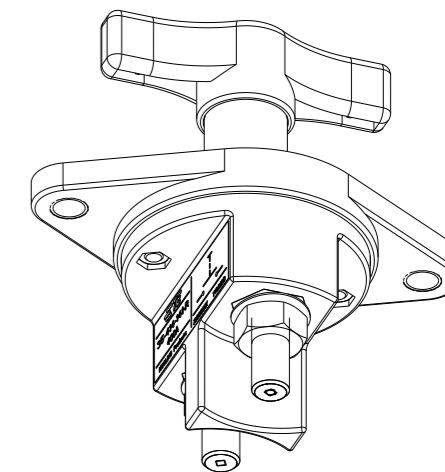
| | |
|-------------|--------------|
| Drawing No: | 35-414-141-R |
| NSN: | |

| REVISIONS | | | | | |
|-----------|-----|-------------|-----------|-----|------|
| P | LTR | DESCRIPTION | DATE | DWN | APVD |
| | A | TE STANDARD | 21JUN2024 | KS | RB |
| | | | | | |
| | | | | | |

NOTE
Bemerkungen:

1 TE-CONNECTIVITY ORDER-NUMBER
TE-connectivity Bestellnummer

2 DO NOT SWITCH UNDER LOAD!
Nicht unter Last schalten!



ISO 1:2

| | | | | |
|--------------|------|-------------|---|---|
| K1153132 | 1 | A | BATTERY DISCONNECTOR 400A Batterietrennschalter 400A | 1 |
| TE ORDER-NO. | REV. | DESCRIPTION | ITEM NO. | |

| | | | |
|--|--|------------------|-----------|
| THIS DRAWING IS A CONTROLLED DOCUMENT. | | DWN | 16MAR2015 |
| | | CHK | 16MAR2015 |
| | | APVD | 23APR2015 |
| | | PRODUCT SPEC | |
| | | APPLICATION SPEC | |
| | | WEIGHT | |
| | | CUSTOMER DRAWING | |

| | | | |
|---|-----------|--------------|---------------|
| TE Connectivity | | | |
| NAME BATTERY DISCONNECTOR 400A Batterietrennschalter 400A | | | |
| SIZE | CAGE CODE | DRAWING NO | RESTRICTED TO |
| A3 | 00779 | 35-414-141-R | - |
| SCALE | | SHEET | REV |
| | | 1 OF 1 | A |