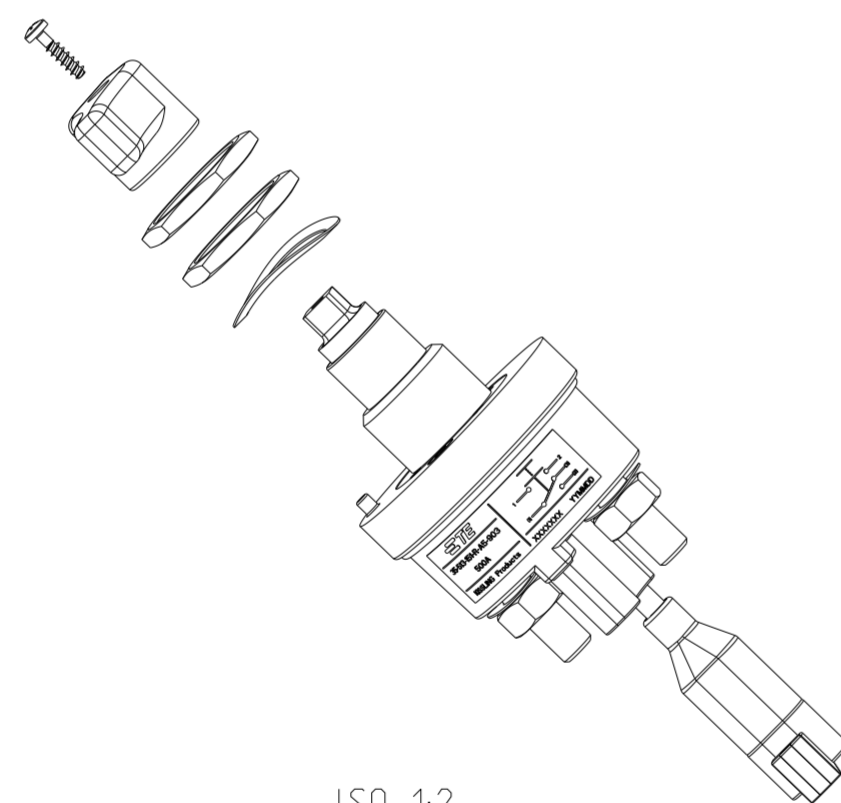
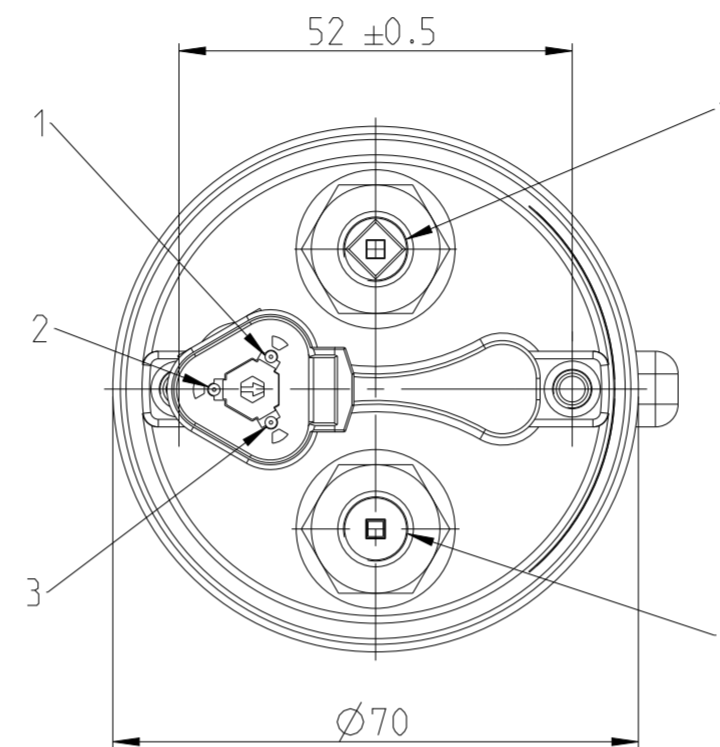
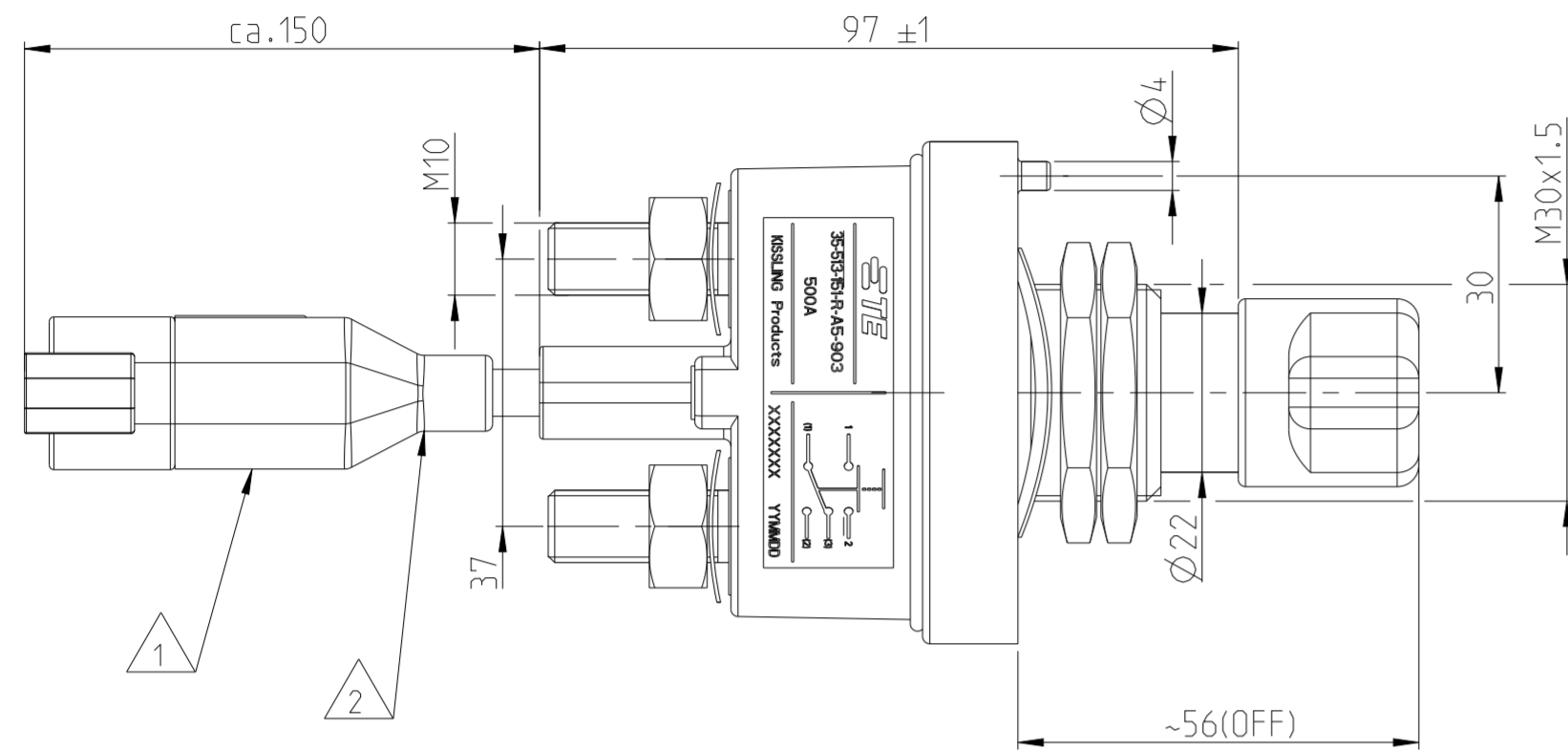
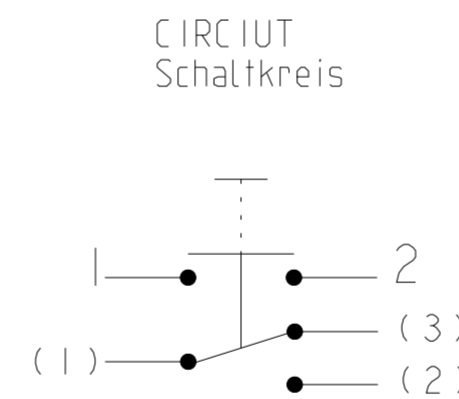


REVISIONS					
P	LTR	DESCRIPTION	DATE	DWN	APVD
A		ECN-23-201129	TE STANDARD	02MAR2023	SS JH



ISO 1:2



TECHNICAL DATA:

CASE MATERIAL:COVER VYNCOLIT BLACK
 BASE PLATE..... PA GF BLACK
 SWITCH LEVER MATERIAL..... PA GF RED
 MIN. INSULATION RESISTANCE..... 100MΩ
 DIELECTRIC WITHSTANDING VOLTAGE..... 1050V-1min.
 MAX. CONTACT DROP DURING RESISTIVE LOAD..... 150mV
 VOLTAGE UP TO 32VDC
 DUTY RATING 500A
 OVERLOAD..... 1500A-4min.
 2000A-1.5min.
 2500A-10sec.

AUXILIARY CONTACT:
 CONTINUOUS CURRENT: 10A
 MAKE AND BRAKE: 24V L/R 5ms 10A
 24V L/R 20ms 6A

SEALING IP 67/ IEC 529
 VIBRATION..... 4G/50-2000Hz
 SHOCK..... 6G/ 11ms
 WEIGHT..... 34.0g
 TEMPERATURE RANGE -40 °C BIS +85 °C
 WIRE SECTION (AT NOMINAL LOAD MAIN TERMINALS)..... min. 250mm²
 SWITCH LEVER NOT REMOVEABLE, RED
 MAX. TORQUE (MAIN TERMINALS)..... 15-20NM

Technische Daten:

Gehäusematerial:Deckel Vyncolit schwarz
 Grundplatte..... PA GF schwarz
 Material Schalthebel..... PA GF rot
 Mindest. Isolationswiderstand..... 100 MΩ
 Dielektrische Spannungsfestigkeit..... 1050V-1min.
 max. Kontaktabfall bei ohmscher Last..... 150 mV
 Spannungslage bis zu 32 VDC
 Einschaltdauer..... 500A
 Überlast..... 1500A-4min..
 2500A-1.5MINDEST.
 2500A-10sek.

Hilfskontakt:
 Dauerstrom: 10 A
 Machen und Bremsen: 24 V L/R 5 ms 10 A
 24 V L/R 20 ms 6 A

Versiegelung IP 67/IEC 529
 Vibration..... 4G /50-2000Hz
 Schock..... 6G/ 11ms
 Gewicht..... 34.0gr
 Temperaturbereich -40 °C bis +85 °C
 Leiterquerschnitt (bei Nennlast Hauptklemmen)..... min. 250mm²
 Schalthebel nicht demontierbar, rot
 max. Anzugsmoment (Hauptklemmen)..... 15-20 Nm

NOTES
Bemerkungen:

- 1 DEUTSCH CONNECTOR: CONNECTOR PLUG DEUTSCH
P/N DT04-3P-E005
Deutsch Connector: Connector Plug Deutsch
P/N DT04-3P-E005
- 2 COVER AND CABLE SEAL MOULDED
Cover and cable seal moulded

-	K1143583	A	-	1	BATTERY DISCONNECTOR Batterietrennschalter	-	-	-	1
CUSTOMER ORDER-NO.	TE ORDER-NO.	REV.	POS.	QTY.	DESCRIPTION	MATERIAL	WEIGHT (g)	COLOUR	ITEM NO.
THIS DRAWING IS A CONTROLLED DOCUMENT.					DWN MIELK 17 JUN 2011	TE Connectivity NAME BATTERY DISCONNECTOR Batterietrennschalter			
					CHK GRIND 26 JAN 2012				
DIMENSIONS: mm		TOLERANCES UNLESS OTHERWISE SPECIFIED: DIN ISO 2867 cL			PRODUCT SPEC				
0 PLC ± 1 PLC ± 2 PLC ± 3 PLC ± 4 PLC ±		ANGLES ± FINISH ±			APPLICATION SPEC				
MATERIAL		WEIGHT			SIZE A2		CAGE CODE 00779	DRAWING NO. 35-513-151-R-A5-903	RESTRICTED TO -
CUSTOMER DRAWING						SCALE 1:2	SHEET 1 OF 1	REV A	