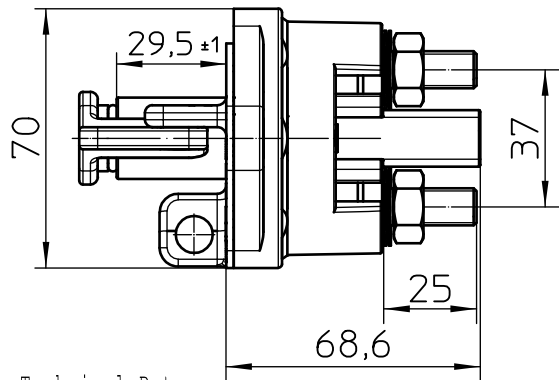
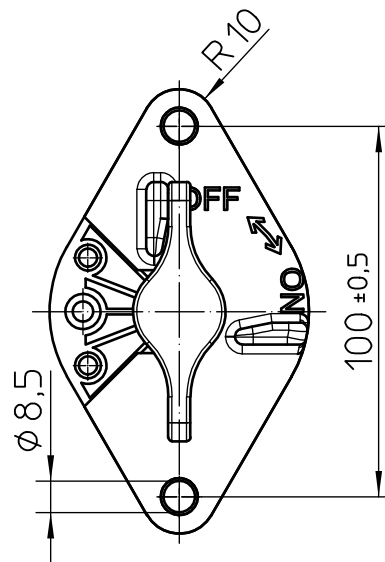
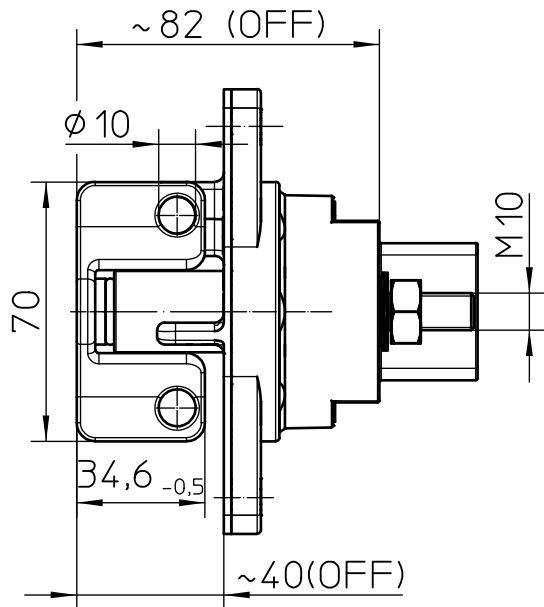
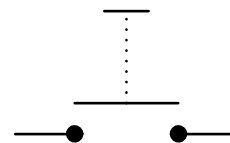


Battery Disconnecter 500A

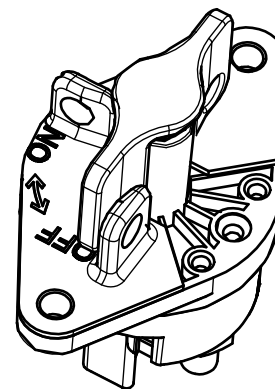


Circuit



Technical Data:

Case Material: Cover	Vyncolit black
Base Plate	PA GF black
Key Plate	PA GF black
Switch Lever Material	PA GF black
Min. Insulation Resistance	100MΩ
Dielectric Withstanding Voltage	1050V-1min
Max. Contact Voltage Drop	150mV
Voltage	up to 32VDC
Continuous Rating	500A
Overload.....	1500A 4min 2000A 1min 2500A-10sec
Sealing	IP 67/ IEC 529
Vibration	10G/ 18-500Hz
Weight	340g/ 0.75 Pound
Temperature Range	-40°C to +85°C
Wire Selection (At Nominal Load)	min. 250mm ²
Key	not removeable
.....	lockable in "OFF&ON" position
Max. Torque (Main Contacts).....	15-20Nm



Für diese Zeichnung behalten wir uns das Urheberrecht gemäß DIN ISO 16016 vor

	Datum	Name	Freimaßtoleranz	Maßstab		Zeichnungs-Nr.:
Bearb.	26.01.2018	Mielk	DIN ISO 2768 cL	1:2		35-514-131-S-900
Gepr.	30.01.2018	Grind				Vers.Nr.: