

P	LTR	DESCRIPTION	DATE	DWN	APVD
	A	TE STANDARD UPDATED	24MAY2024	KS	RB

TÄ-Nr. **Battery Disconnecter 500A** Bl.1 v.1

Technical Data:

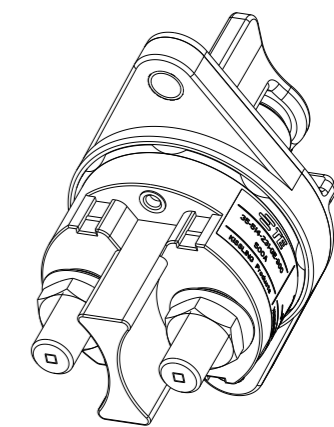
Case Material: Cover	Vyncolit black
Base Plate	PA GF black
Key Plate	PA GF yellow
Switch Lever Material	PA GF yellow
Min. Insulation Resistance	100MΩ
Dielectric Withstanding Voltage	1050V-1min
Max. Contact Voltage Drop	150mV
Voltage	up to 32VDC
Continuous Rating	500A
Overload.....	1500A 4min 2000A 1min 2500A-10sec
Sealing	IP 67/ IEC 529
Vibration	10G/ 18-500Hz
Weight	340g/ 0.75 Pound
Temperature Range	-40°C to +85°C
Wire Selection (At Nominal Load)	min. 250mm ²
Key	not removeable
.....	lockable in "OFF" position
.....	not lockable in "ON" position
Max. Torque (Main Contacts).....	18-22Nm

Datum	Name	Freimaßtoleranz	Maßstab	Zeichnungs-Nr.:
Bearb. 19.10.2009	Grind		1:2	35-514-231-GE-900
Gepr. 06.03.2013	Grind			Vers.Nr.:

NOTE:
Bemerkungen:

1 TE-CONNECTIVITY ORDER-NUMBER
TE-Connectivity Bestellnummer

2 DO NOT SWITCH UNDER LOAD!
Nicht unter Last schalten!



K1137934		A	BATTERY DISCONNECTOR 500A Batterietrennschalter 500A	1
TE ORDER-NO.	REV.		DESCRIPTION	ITEM NO

THIS DRAWING IS A CONTROLLED DOCUMENT.		DWN 19OCT2009 U.Grindemann
DIMENSIONS: mm		CHK 19OCT2009 U.Grindemann
TOLERANCES UNLESS OTHERWISE SPECIFIED: DIN ISO 2768-CL		APVD 06MAR2013 U.Grindemann
0 PLC ±		PRODUCT SPEC
1 PLC ±		APPLICATION SPEC
2 PLC ±		WEIGHT
3 PLC ±		CUSTOMER DRAWING
4 PLC ±		
ANGLES ±		
MATERIAL FINISH		

TE TE Connectivity

NAME
**BATTERY DISCONNECTOR 500A
Batterietrennschalter 500A**

SIZE	CAGE CODE	DRAWING NO	RESTRICTED TO
A3	00779	35-514-231-GE-900	-

SCALE SHEET 1 OF 1 REV A