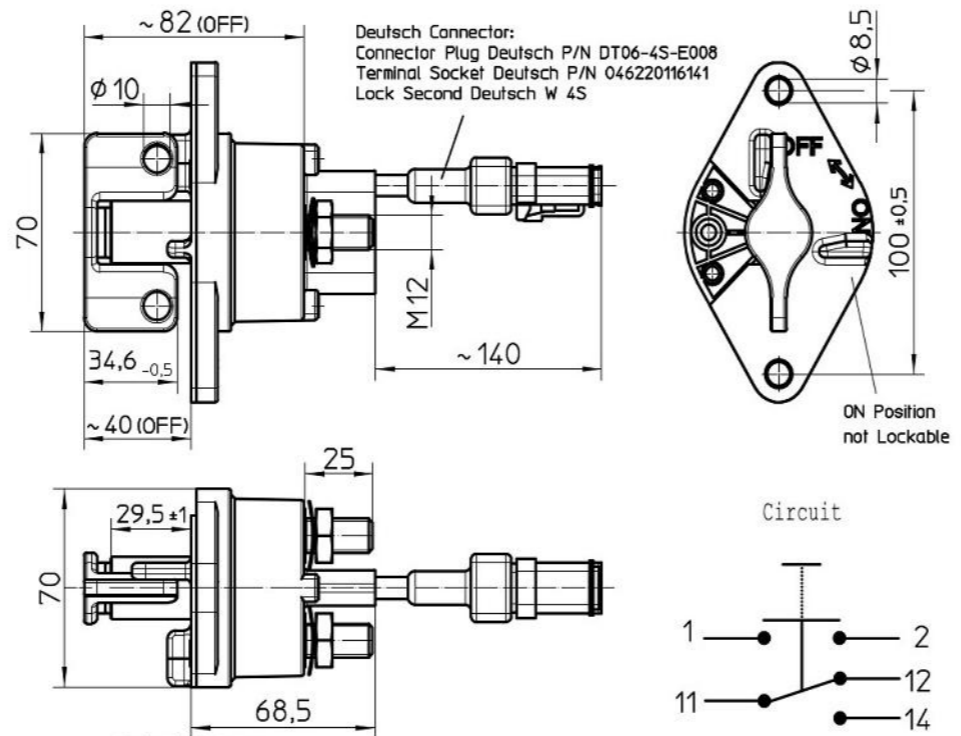


EC No. 21908 Battery Disconnecter 500A with Aux. Page 1 of 1



Technical Data:

Case Material:Cover	Vyncolit black
Base Plate	PA GF black
Key Plate	PA GF yellow
Switch Lever Material	PA GF yellow
Min. Insulation Resistance	100MΩ
Dielectric Withstanding Voltage	1050V-1min.
Max. Contact Drop During Resistive Load	150mV
Voltage	up to 32VDC
Duty Rating	500A
Overload	1500A-4min.
.....	2000A-1.5min.
.....	2500A-10sec.
Auxiliary Contact:	
Continuous Current:	10A
Make and Brake:	24V L/R 5ms 10A
.....	24V L/R 20ms 6A
Sealing	IP 67/ IEC 529
Vibration	4G/ 50-2000Hz
Shock	6G/ 11ms
Weight	340g
Temperature Range	-40°C to +85°C
Wire Section (at nominal Load Main Terminals)	min. 250mm ²
Switch Lever	not removeable
Max. Torque (Main Terminals)	18-22Nm

Date	Name	mm	Scale	Drawing No.
16.01.2014	Seeger		1:2	35-514-231-GE-A5-900
09.04.2014	Grind	General Tolerances DIN ISO 2768-cl		NSN:

THIS DRAWING IS A CONTROLLED DOCUMENT.

DIMENSIONS:	TOLERANCES UNLESS OTHERWISE SPECIFIED:
mm	DIN ISO 2768-cl
	0 PLC ±
	1 PLC ±
	2 PLC ±
	3 PLC ±
	4 PLC ±
	ANGLES ±
MATERIAL	FINISH

DWN	16 JAN 2014
K. Seeger	
CHK	16 JAN 2014
K. Seeger	
APVD	09 APR 2014
U. Grindemann	
PRODUCT SPEC	
APPLICATION SPEC	
WEIGHT	
CUSTOMER DRAWING	

K1150371	1	A	BATTERY DISCONNECTOR 500A WITH AUX Batterietrennschalter 500A mit Hilfskontakt	1
TE ORDER-NO.	REV.	DESCRIPTION	ITEM NO	



NAME			
BATTERY DISCONNECTOR 500A WITH AUX Batterietrennschalter 500A mit Hilfskontakt			
SIZE	CAGE CODE	DRAWING NO	RESTRICTED TO
A3	00779	35-514-231-GE-A5-900	-
SCALE	SHEET	OF	REV
1:1	1	1	A

NOTE:
Bemerkungen:

1 TE-CONNECTIVITY ORDER-NUMBER
TE-Connectivity Bestellnummer

2 DO NOT SWITCH UNDER LOAD!
Nicht unter Last schalten!

