

EC No.	Battery Disconnecter 2x500A	Page 1 of 1
--------	-----------------------------	-------------

~ 75 (OFF)
 $\phi 22$
 ca. 150
 $\phi 6.5$
 $\phi 85$
 $R10$
 $\phi 34$
 37
 100 ± 0.5

Deutsch Connector:
 Connector Plug Deutsch P/N DT06-4S-E008
 Terminal Socket Deutsch P/N 046220116141
 Lock Second Deutsch W 4S
 Heat shrink 3:1 Di24

Circuit

Technical Data:

Case Material: Cover	Vyncolit black
Base Plate	PA GF black
Switch Lever Material	PA GF black
Min. Insulation Resistance	100M Ω
Dielectric Withstanding Voltage	1050V-1min.
Max. Contact Drop During Resistive Load	150mV
Voltage	up to 32VDC
Duty Rating	2x500A
Overload	2x2000A-1.5min. 2x2500A-10sec.

Auxiliary Contact:

Continuous Current:	2A
Make and Brake:	2A

Sealing IP 67/ IEC 529
 Vibration 10G/ 18-500Hz
 Weight 750g/1.65 Pound
 Temperature Range -40°C bis +85°C
 Wire Section (at nominal Load Main Terminals) . min. 250mm²
 Switch Lever removeable
 Max. Torque (Main Terminals) 18-22Nm

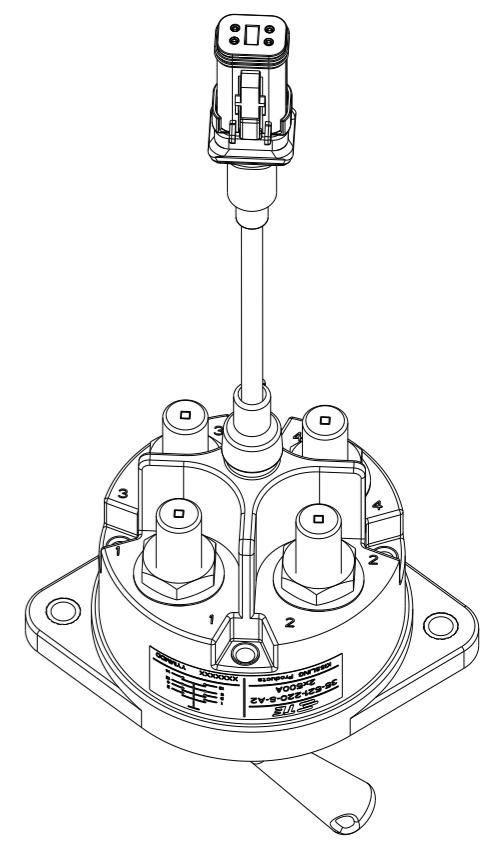
Date	Name	mm	Scale	 Elektrotechnik - GmbH & Co KG D - 72218 Wildberg	Drawing No:
Drawn 14.10.2015	Mielk	General Tolerances DIN ISO 2768 cL	1:2		35-521-220-S-A2
Check 19.10.2015	Grind				NSN:

REVISIONS					
P	LTR	DESCRIPTION	DATE	DWN	APVD
	A	TE STANDARD	04JUL2024	KR	RB

NOTE
 Bemerkungen:

1 TE-CONNECTIVITY ORDER-NUMBER
 TE-connectivity Bestellnummer

2 DO NOT SWITCH UNDER LOAD!
 Nicht unter Last schalten!



1	K1154253	A	BATTERY DISCONNECTOR 2x500A Batterietrennschalter 2x500A	1
	TE ORDER-NO.	REV.	DESCRIPTION	ITEM NO

THIS DRAWING IS A CONTROLLED DOCUMENT.		DWN N.Mielke 14OCT2015	 TE Connectivity BATTERY DISCONNECTOR 2x500A Batterietrennschalter 2x500A		
DIMENSIONS:		CHK N.Mielke 14OCT2015			
mm		APVD U.Grindemann 19OCT2015			
TOLERANCES UNLESS OTHERWISE SPECIFIED: DIN ISO 2768 cL		PRODUCT SPEC			
	0 PLC ±	1 PLC ±	2 PLC ±	3 PLC ±	4 PLC ±
	ANGLES ±				
MATERIAL	FINISH				
		APPLICATION SPEC	RESTRICTED TO		
		WEIGHT	SIZE A3	CAGE CODE 00779	DRAWING NO. 35-521-220-S-A2
		CUSTOMER DRAWING	SCALE	SHEET 1 OF 1	REV A